



Republic of the Philippines
PROVINCE OF PAMPANGA
City of San Fernando, Pampanga

PHILIPPINE BIDDING DOCUMENTS
(As Harmonized with Development Partners)

PROCUREMENT OF GOODS

Government of the Republic of the Philippines

PR No. 24 – 3829

**Supply & Delivery 25
units CUSTOM BUILT
FABRICATED PUMP**

Sixth Edition
July 2020

Preface

These Philippine Bidding Documents (PBDs) for the procurement of Goods through Competitive Bidding have been prepared by the Government of the Philippines for use by any branch, constitutional commission or office, agency, department, bureau, office, or instrumentality of the Government of the Philippines, National Government Agencies, including Government-Owned and/or Controlled Corporations, Government Financing Institutions, State Universities and Colleges, and Local Government Units. The procedures and practices presented in this document have been developed through broad experience, and are for mandatory use in projects that are financed in whole or in part by the Government of the Philippines or any foreign government/foreign or international financing institution in accordance with the provisions of the 2016 revised Implementing Rules and Regulations of Republic Act No. 9184.

The Bidding Documents clearly and adequately define, among others: (i) the objectives, scope, and expected outputs and/or results of the proposed contract or Framework Agreement, as the case may be; (ii) the eligibility requirements of Bidders; (iii) the expected contract or Framework Agreement duration, the estimated quantity in the case of procurement of goods, delivery schedule and/or time frame; and (iv) the obligations, duties, and/or functions of the winning bidder.

Glossary of Acronyms, Terms, and Abbreviations

Whenever the following terms or acronyms are used in these bidding documents, they shall have the following respective meanings:

ABC – Approved Budget for the Contract.

BAC – Bids and Awards Committee.

Bid – A signed offer or proposal to undertake a contract submitted by a bidder in response to and in consonance with the requirements of the bidding documents. Also referred to as *Proposal* and *Tender*. (2016 revised IRR, Section 5[c])

Bidder – Refers to a contractor, manufacturer, supplier, distributor and/or consultant who submits a bid in response to the requirements of the Bidding Documents. (2016 revised IRR, Section 5[d])

Bidding Documents – The documents issued by the Procuring Entity as the bases for bids, furnishing all information necessary for a prospective bidder to prepare a bid for the Goods, Infrastructure Projects, and/or Consulting Services required by the Procuring Entity. (2016 revised IRR, Section 5[e])

BDS – Bid Data Sheet

BIR – Bureau of Internal Revenue.

BSP – Bangko Sentral ng Pilipinas.

Consulting Services – Refer to services for Infrastructure Projects and other types of projects or activities of the GOP requiring adequate external technical and professional expertise that are beyond the capability and/or capacity of the GOP to undertake such as, but not limited to: (i) advisory and review services; (ii) pre-investment or feasibility studies; (iii) design; (iv) construction supervision; (v) management and related services; and (vi) other technical services or special studies. (2016 revised IRR, Section 5[i])

CDA - Cooperative Development Authority.

Contract – Refers to the agreement entered into between the Procuring Entity and the Supplier or Manufacturer or Distributor or Service Provider for procurement of Goods and Services; Contractor for Procurement of Infrastructure Projects; or Consultant or Consulting Firm for Procurement of Consulting Services; as the case may be, as recorded in the Contract Form signed by the parties, including all attachments and appendices thereto and all documents incorporated by reference therein.

CIF – Cost Insurance and Freight.

CIP – Carriage and Insurance Paid.

CPI – Consumer Price Index.

DDP – Refers to the quoted price of the Goods, which means “delivered duty paid.”

DTI – Department of Trade and Industry.

EXW – Ex works.

FCA – “Free Carrier” shipping point.

FOB – “Free on Board” shipping point.

Foreign-funded Procurement or Foreign-Assisted Project– Refers to procurement whose funding source is from a foreign government, foreign or international financing institution as specified in the Treaty or International or Executive Agreement. (2016 revised IRR, Section 5[b]).

Framework Agreement – Refers to a written agreement between a procuring entity and a supplier or service provider that identifies the terms and conditions, under which specific purchases, otherwise known as “Call-Offs,” are made for the duration of the agreement. It is in the nature of an option contract between the procuring entity and the bidder(s) granting the procuring entity the option to either place an order for any of the goods or services identified in the Framework Agreement List or not buy at all, within a minimum period of one (1) year to a maximum period of three (3) years. (GPPB Resolution No. 27-2019)

GFI – Government Financial Institution.

GOCC – Government-owned and/or –controlled corporation.

Goods – Refer to all items, supplies, materials and general support services, except Consulting Services and Infrastructure Projects, which may be needed in the transaction of public businesses or in the pursuit of any government undertaking, project or activity, whether in the nature of equipment, furniture, stationery, materials for construction, or personal property of any kind, including non-personal or contractual services such as the repair and maintenance of equipment and furniture, as well as trucking, hauling, janitorial, security, and related or analogous services, as well as procurement of materials and supplies provided by the Procuring Entity for such services. The term “related” or “analogous services” shall include, but is not

limited to, lease or purchase of office space, media advertisements, health maintenance services, and other services essential to the operation of the Procuring Entity. (2016 revised IRR, Section 5[r])

GOP – Government of the Philippines.

GPPB – Government Procurement Policy Board.

INCOTERMS – International Commercial Terms.

Infrastructure Projects – Include the construction, improvement, rehabilitation, demolition, repair, restoration or maintenance of roads and bridges, railways, airports, seaports, communication facilities, civil works components of information technology projects, irrigation, flood control and drainage, water supply, sanitation, sewerage and solid waste management systems, shore protection, energy/power and electrification facilities, national buildings, school buildings, hospital buildings, and other related construction projects of the government. Also referred to as *civil works or works*. (2016 revised IRR, Section 5[u])

IB – Invitation to Bid

ITB – Instructions to Bidder

LGUs – Local Government Units.

NFCC – Net Financial Contracting Capacity.

NGA – National Government Agency.

PhilGEPS - Philippine Government Electronic Procurement System.

Procurement Project – refers to a specific or identified procurement covering goods, infrastructure project or consulting services. A Procurement Project shall be described, detailed, and scheduled in the Project Procurement Management Plan prepared by the agency which shall be consolidated in the procuring entity's Annual Procurement Plan. (GPPB Circular No. 06-2019 dated 17 July 2019)

PSA – Philippine Statistics Authority.

SEC – Securities and Exchange Commission.

SLCC – Single Largest Completed Contract.

Supplier – refers to a citizen, or any corporate body or commercial company duly organized and registered under the laws where it is established, habitually established in business and engaged in the manufacture or sale of the merchandise or performance of the general services covered by his bid. (Item 3.8 of GPPB Resolution No. 13-2019, dated 23 May 2019). Supplier as used in these Bidding Documents may likewise refer to a distributor, manufacturer, contractor, or consultant.

UN – United Nations Section

TABLE OF CONTENTS

<i>SECTION I</i>	INVITATION TO BID
<i>SECTION II</i>	INSTRUCTION TO BIDDERS
<i>SECTION III</i>	BID DATA SHEET
<i>SECTION IV</i>	GENERAL CONDITIONS OF CONTRACT
<i>SECTION V</i>	SPECIAL CONDITIONS OF CONTRACT
<i>SECTION VI</i>	SCHEDULE OF REQUIREMENTS
<i>SECTION VII</i>	TECHNICAL SPECIFICATIONS
<i>SECTION VIII</i>	CHECKLIST OF TECHNICAL & FINANCIAL DOCUMENTS
<i>SECTION IX</i>	OTHER BIDDING FORMS

SECTION I. INVITATION TO BID

Republic of the Philippines
PROVINCE OF PAMPANGA
City of San Fernando
INVITATION TO BID NO. 2024-91
IG-BAC

**INVITATION TO BID FOR PURCHASE REQUEST NOS. 24-3480, 24-3829, 24-3988
and 24-4322**

1. The **Provincial Government of Pampanga ("Province")** intends to apply the following sums from the following funds, as follows:

SOURCE OF FUNDING/YEAR	APPROVED BUDGET FOR THE CONTRACT (ABC)	PURCHASE REQUEST NUMBER	DESCRIPTION
General Fund	10,500,000.00	24-3480	Supply and Delivery of VARIOUS AGRICULTURAL FARM MACHINERIES
General Fund	6,000,000.00	24-3829	Supply and Delivery of 25 units CUSTOM BUILT FABRICATED PUMP
General Fund	2,059,745.00	24-3988	Supply and Delivery of CONDOLIDATED OFFICE SUPPLIES for Various Offices
General Fund	1,605,750.00	24-4322	Supply and Delivery of VARIOUS PACKED MEALS

Bids received in excess of the ABC shall be automatically rejected at bid opening.

2. The **Province** invites bids for the above Procurement Project. Delivery of Goods shall be in accordance with the delivery schedule under Section VI. **Schedule of Requirements**. Bidders should have completed, within two years from the date of submission and receipt of bids, a contract similar to the Project. The description of an eligible bidder is contained in the Bidding Documents, particularly, in Section II. Instruction to Bidders.
3. Bidding will be conducted through open competitive bidding procedures using non-discretionary "*pass/fail*" criterion as specified in the 2016 revised Implementing Rules and Regulations (IRR) of Republic Act (RA) No. 9184.

Bidding is open to all interested bidders, whether local or foreign, subject to the conditions for eligibility provided in the 2016 revised IRR of RA No. 9184.

4. Interested bidders may obtain further information from the **Province** and inspect the Bidding Documents at the **Bids and Awards Committee (BAC) Secretariat Office, Ground Floor, Provincial Capitol, City of San Fernando, Pampanga between 8:00 A.M. to 5:00 P.M.**
5. A complete set of Bidding Documents may be purchased by interested Bidders from **September 19, 2024 (Thursday) between 8:00 A.M. to 5:00 P.M. up to October 9, 2024 (Wednesday) until 8:30 A.M. only** from the given address above and upon payment of the applicable fee for the Bidding Documents, pursuant to the latest Guidelines issued by the GPPB, in the following amounts:

PURCHASE REQUEST NUMBER	ABC	AMOUNT
24-3480	10,500,000.00	25,000.00
24-3829	6,000,000.00	10,000.00
24-3988	2,059,745.00	5,000.00

24-4322	1,605,750.00	5,000.00
---------	--------------	----------

The procuring entity shall allow the bidder to present its proof of payment of the fees in person.

6. The **Province** will hold a Pre-Bid Conference on **September 27, 2024 (Friday), 10:00 A.M.** at the **Old SP Session Hall, Second Floor, Provincial Capitol, City of San Fernando, Pampanga**, which shall be open to prospective bidders.
7. Bids must be duly received by the **Bids and Awards Committee (BAC) Secretariat Office** thru manual submission at **Ground Floor, Provincial Capitol, City of San Fernando, Pampanga on or before 8:45 A.M. of October 9, 2024 (Wednesday)**. Late bids shall not be accepted
8. All bids must be accompanied by a bid security in any of the acceptable forms and in the amount stated in **ITB Clause 14**.
9. Opening of bids will be on **October 9, 2024 (Wednesday), 10:00 A.M.** at the **Old SP Session Hall, Second Floor, Provincial Capitol, City of San Fernando, Pampanga**. Bids will be opened in the presence of the bidder's representatives who choose to attend at the activity.
10. Online bid submission is not applicable.
11. The **Province** reserves the right to accept or reject any and all bids, declare a failure bidding, or not award the contract at any time prior to contract award in accordance with Sections 35.6 and 41 of the 2016 revised Implementing Rules and Regulations (IRR) of RA No. 9184, without hereby incurring any liability to the affected bidder or bidders.
12. For further information, please refer to:

MS. FILIPINA R. SEVILLA
Vice-Chairperson
Bids and Awards Committee (BAC) Secretariat
BAC Secretariat Office - Ground Floor, Provincial Capitol,
City of San Fernando, Pampanga

13. You may visit the following website:

For downloading of Bidding Documents: www.pampanga.gov.ph

September 18, 2024


ATTY. CECIL L. ANDIN
Chairman
Bids and Awards Committee

SECTION II.
INSTRUCTION TO BIDDERS

1. Scope of Bid

The Procuring Entity, **The Provincial Government of Pampanga** wishes to receive Bids for the Procurement of **Supply & Delivery of 25 units CUSTOM BUILT FABRICATED PUMP** with *Identification Number: Purchase Request No. 24 – 3829*.

The Procurement of **Supply & Delivery of 25 units CUSTOM BUILT FABRICATED PUMP** is composed of **One (1) Lot**, the details of which are described in **Section VII (Technical Specifications)**.

[Note: The Project Identification Number is assigned by the Procuring Entity based on its own coding scheme and is not the same as the PhilGEPS reference number, which is generated after the posting of the bid opportunity on the PhilGEPS website.]

2. Funding Information

2.1. The Provincial Government of Pampanga through the source of funding as indicated below for **GENERAL FUND** in the amount of **Six Million Pesos (Php 6,000,000.00)**.

2.2. The source of funding is **LGU's proposed Local Government Expenditure Program**.

3. Bidding Requirements

The Bidding for the Project shall be governed by all the provisions of RA No. 9184 and its 2016 revised IRR, including its Generic Procurement Manuals and associated policies, rules and regulations as the primary source, while the herein clauses shall serve as the secondary source thereof.

Any amendments made to the IRR and other GPPB issuances shall be applicable only to the ongoing posting, advertisement, or **Invitation to Bid (IB)** by the BAC through the issuance of a supplemental or bid bulletin.

The Bidder, by the act of submitting its Bid, shall be deemed to have verified and accepted the general requirements of this Project, including other factors that may affect the cost, duration and execution or implementation of the contract, project, or work and examine all instructions, forms, terms, and project requirements in the Bidding Documents.

4. Corrupt, Fraudulent, Collusive, and Coercive Practices

The Procuring Entity, as well as the Bidders and Suppliers, shall observe the highest standard of ethics during the procurement and execution of the contract. They or through an agent shall not engage in corrupt, fraudulent, collusive, coercive, and obstructive practices defined under Annex "I" of the 2016 revised IRR of RA No. 9184 or other integrity violations in competing for the Project.

5. Eligible Bidders

5.1. Only Bids of Bidders found to be legally, technically, and financially capable will be evaluated.

- 5.2.
- a. Foreign ownership exceeding those allowed under the rules may participate pursuant to:
 - i. **When a Treaty or International or Executive Agreement as provided in Section 4 of the RA No. 9184 and its 2016 revised IRR allow foreign bidders to participate;**
 - b. Foreign ownership limited to those allowed under the rules may participate in this Project.
- 5.3. Pursuant to Section 23.4.1.3 of the 2016 revised IRR of RA No.9184, the Bidder have an SLCC that is at least one (1) contract similar to the Project the value of which, adjusted to current prices using the PSA's CPI, must be at least equivalent to:
- a. **For the procurement of Non-Expendable Supplies: The Bidder must have completed a single contract that is similar to this Project, equivalent to at least fifty percent (50%) of the ABC.**
- 5.4. The Bidders shall comply with the eligibility criteria under Section 23.4.1 of the 2016 IRR of RA No. 9184.

6. Origin of Goods

There is no restriction on the origin of goods other than those prohibited by a decision of the UN Security Council taken under Chapter VII of the Charter of the UN, subject to Domestic Preference requirements under **Instruction to Bidders (ITB)** Clause 18.

7. Subcontracts

The Procuring Entity has prescribed that ***Subcontracting is not allowed.***

8. Pre-Bid Conference

The Procuring Entity will hold a pre-bid conference for this Project on the specified date and time and either at its physical address (***Please refer to Paragraph 6 of Invitation to Bid (IB)***)

9. Clarification and Amendment of Bidding Documents

Prospective bidders may request for clarification on and/or interpretation of any part of the Bidding Documents. Such requests must be in writing and received by the Procuring Entity, either at its given address or through electronic mail indicated in the **Invitation to Bid (IB)**, at least ten (10) calendar days before the deadline set for the submission and receipt of Bids.

10. Documents comprising the Bid: Eligibility and Technical Components

- 10.1. The first envelope shall contain the eligibility and technical documents of the Bid as specified in **Section VIII (Checklist of Technical and Financial Documents)**.

- 10.2. The Bidder's SLCC as indicated in **Instruction to Bidders (ITB)** Clause 5.3 should have been completed within *(Please refer to paragraph 2 of the Invitation to Bid)* prior to the deadline for the submission and receipt of bids.
- 10.3. If the eligibility requirements or statements, the bids, and all other documents for submission to the BAC are in foreign language other than English, it must be accompanied by a translation in English, which shall be authenticated by the appropriate Philippine foreign service establishment, post, or the equivalent office having jurisdiction over the foreign bidder's affairs in the Philippines. Similar to the required authentication above, for Contracting Parties to the Apostille Convention, only the translated documents shall be authenticated through an apostille pursuant to GPPB Resolution No. 13-2019 dated 23 May 2019. The English translation shall govern, for purposes of interpretation of the bid.

11. Documents comprising the Bid: Financial Component

- 11.1. The second bid envelope shall contain the financial documents for the Bid as specified in **Section VIII (Checklist of Technical and Financial Documents)**.
- 11.2. If the Bidder claims preference as a Domestic Bidder or Domestic Entity, a certification issued by DTI shall be provided by the Bidder in accordance with Section 43.1.3 of the 2016 revised IRR of RA No. 9184.
- 11.3. Any bid exceeding the ABC indicated in *paragraph 1 of Invitation to Bid (IB)* shall not be accepted.

12. Bid Prices

- 12.1. Prices indicated on the Price Schedule shall be entered separately in the following manner:
 - a. For Goods offered from within the Procuring Entity's country:
 - i. The price of the Goods quoted EXW (ex-works, ex-factory, ex-warehouse, ex-showroom, or off-the-shelf, as applicable)
 - ii. The cost of all customs duties and sales and other taxes already paid or payable;
 - iii. The cost of transportation, insurance, and other costs incidental to delivery of the Goods to their final destination; and
 - iv. The price of other (incidental) services, if any, listed in the BDS.
 - b. For Goods offered from abroad:
 - i. Unless otherwise stated in the **Bid Data Sheet (BDS)**, the price of the Goods shall be quoted delivered duty paid (DDP) with the place of destination in the Philippines as specified in the **BDS**. In quoting the price, the Bidder shall be free to use transportation through carriers registered in any eligible country. Similarly, the Bidder may obtain insurance services from any eligible source country.

- ii. The price of other (incidental) services, if any, as listed in **Section VII (Technical Specifications)**.

13. Bid and Payment Currencies

13.1. For Goods that the Bidder will supply from outside the Philippines, the bid prices may be quoted in the local currency or tradeable currency accepted by the BSP at the discretion of the Bidder. However, for purposes of bid evaluation, Bids denominated in foreign currencies, shall be converted to Philippine currency based on the exchange rate as published in the BSP reference rate bulletin on the day of the bid opening.

13.2. Payment of the contract price shall be made in ***Philippine Peso***.

14. Security

14.1. The Bidder shall submit a Bid Securing Declaration¹ or any form of Bid Security in the amount indicated in the **Bid Data Sheet (BDS)**, which shall be not less than the percentage of the ABC in accordance with the schedule in the **BDS**.

14.2. The Bid and Bid Security shall be valid until 120 calendar days from date of the Opening of Bids. Any Bid not accompanied by an acceptable bid security shall be rejected by the Procuring Entity as non-responsive.

15. Sealing and Marking of Bids

Each Bidder shall submit one copy of the first and second components of its Bid.

The Procuring Entity may request additional hard copies and/or electronic copies of the Bid. However, failure of the Bidders to comply with the said request shall not be a ground for disqualification.

If the Procuring Entity allows the submission of bids through online submission or any other electronic means, the Bidder shall submit an electronic copy of its Bid, which must be digitally signed. An electronic copy that cannot be opened or is corrupted shall be considered non-responsive and, thus, automatically disqualified.

16. Deadline for Submission of Bids

16.1. The Bidders shall submit on the specified date and time and either at physical address or through online submission as indicated in paragraph 7 of the **IB**.

17. Opening and Preliminary Examination of Bids

17.1. The BAC shall open the Bids in public at the time, on the date, and at the place specified ***in paragraph 5 of the Invitation to Bid (IB)***. The Bidders' representatives who are present shall sign a register evidencing their attendance. In case videoconferencing, webcasting or other similar technologies will be used, attendance of participants shall likewise be recorded by the BAC Secretariat.

¹ In the case of Framework Agreement, the undertaking shall refer to entering into contract with the Procuring Entity and furnishing of the performance security or the performance securing declaration within ten (10) calendar days from receipt of Notice to Execute Framework Agreement.

In case the Bids cannot be opened as scheduled due to justifiable reasons, the rescheduling requirements under Section 29 of the 2016 revised IRR of RA No. 9184 shall prevail.

- 17.2. The preliminary examination of bids shall be governed by Section 30 of the 2016 revised IRR of RA No. 9184.

18. Domestic Preference

- 18.1. The Procuring Entity will grant a margin of preference for the purpose of comparison of Bids in accordance with Section 43.1.2 of the 2016 revised IRR of RA No. 9184.

19. Detailed Evaluation and Comparison of Bids

- 19.1. The Procuring BAC shall immediately conduct a detailed evaluation of all Bids rated "*passed*," using non-discretionary pass/fail criteria. The BAC shall consider the conditions in the evaluation of Bids under Section 32.2 of the 2016 revised IRR of RA No. 9184.
- 19.2. If the Project allows partial bids under **Section I of the ITB**, bidders may submit a proposal on any of the lots or items, and evaluation will be undertaken on a per lot or item basis, as the case maybe. In this case, the Bid Security as required by **Instruction to Bidder (ITB)** Clause 15 shall be submitted for each lot or item separately.
- 19.3. The descriptions of the lots or items shall be indicated in **Section VII (Technical Specifications)**, although the ABCs of these lots or items are indicated in the **Bid Data Sheet (BDS)** for purposes of the NFCC computation pursuant to Section 23.4.1.4 of the 2016 revised IRR of RA No. 9184. The NFCC must be sufficient for the total of the ABCs for all the lots or items participated in by the prospective Bidder.
- 19.4. The Project shall be awarded as ***One (1) Project having several items that shall be awarded as one (1) contract.***
- 19.5. Except for bidders submitting a committed Line of Credit from a Universal or Commercial Bank in lieu of its NFCC computation, all Bids must include the NFCC computation pursuant to Section 23.4.1.4 of the 2016 revised IRR of RA No. 9184, which must be sufficient for the total of the ABCs for all the lots or items participated in by the prospective Bidder. For bidders submitting the committed Line of Credit, it must be at least equal to ten percent (10%) of the ABCs for all the lots or items participated in by the prospective Bidder.

20. Post-Qualification

Within a non-extendible period of five (5) calendar days from receipt by the Bidder of the notice from the BAC that it submitted the Lowest Calculated Bid, the bidder shall submit its latest income and business tax returns filed and paid through the BIR Electronic Filing and Payment System (eFPS) and other appropriate licenses and permits required by law and stated in the **BDS**;

21. Signing of the Contract

The documents required in Section 37.2 of the 2016 revised IRR of RA No. 9184 shall form part of the Contract. Additional Contract documents are indicated in the **BDS**.

SECTION III.
BID DATA SHEET

Bid Data Sheet

ITB Clause	
5.3	<p>For this purpose, contracts similar to the Project shall be:</p> <p style="padding-left: 40px;">a. <i>"AGRICULTURAL/FARM EQUIPMENT"</i></p> <p style="padding-left: 40px;">b. Completed within <i>two (2) years</i> prior to the deadline for the submission and receipt of bids.</p>
7	<i>"Subcontracting is not Allowed"</i>
13.2(a)	The Bid prices for Goods supplied shall be quoted in <i>Philippine Peso</i>
14.1	<p>The bid security shall be in the form of a Bid Securing Declaration, or any of the following forms:</p> <ol style="list-style-type: none"> 1. <i>Php 12,000.00</i> 2% of ABC, if bid security is in cash, cashier's/manager's check, bank draft/guarantee or irrevocable letter of credit; 2. <i>Php 300,000.00</i> 5% of ABC, if bid security is in Surety bond; or <p>Any combination of the foregoing proportionate to the share of form with respect to total amount of security</p>
15	<p>Each Bidder shall submit One (1) Copy of the Technical and Financial components of its bid. The two components shall be placed into separate envelope forming the Two (2) Envelopes which shall be marked as follows:</p> <p style="padding-left: 80px;">First Envelope – Technical Components Second Envelope – Financial Components</p> <p>The Two Envelopes shall be enclosed in a single envelope referred to as the "Mother Envelope" which shall be marked as follows:</p> <div style="border: 1px solid black; padding: 10px; margin: 10px auto; width: 80%;"> <p style="text-align: center;">ENVELOPE MARKING (MOTHER ENVELOPE)</p> <p style="text-align: center;">Name and Address of Bidder</p> <p style="text-align: center;">The Chairperson Bids and Awards Committee Provincial Government of Pampanga Capitol Compound, CSFP</p> <p style="text-align: center;">Name of Project Contract ID</p> <p style="text-align: center;">DO NOT OPEN BEFORE: [Insert date & time of opening of bids]</p> </div> <p>All envelopes should be properly sealed, signed and labelled.</p>
19.3	Partial bid is not allowed. The goods are grouped in a single lot and the lot shall not be divided into sub-lots for the purpose of bidding, evaluation, and contract award.
20	<p><i>The bidder with the Lowest Calculated Bid shall submit ALL of the following post qualification requirements:</i></p> <ol style="list-style-type: none"> 1. <i>Copy of the following valid and current Eligibility and Financial Documents listed in PhilGEPS Certificate of Registration (Platinum Membership), as follows:</i> <ol style="list-style-type: none"> a) <i>Registration Certificate issued by Security and Exchange Commission (SEC) or Department of Trade and Industry (DTI);</i>

	<ul style="list-style-type: none"> <i>b) Mayor's Permit or its equivalent document;</i> <i>c) Tax Clearance; and</i> <i>d) Latest Audited Financial Statement;</i> <p><i>2. Engine must have PNS/PABES Or AMTEC Certification;</i></p> <p><i>3. With National Agricultural and Fisheries Machinery Assemblers; Manufacturers; Importer/Distributors & Dealer's Accreditation and Classification (NAMDAC) Certification</i></p>
21	No further instruction.

SECTION IV.
GENERAL CONDITIONS
OF CONTRACT

1. Scope of Contract

This Contract shall include all such items, although not specifically mentioned, that can be reasonably inferred as being required for its completion as if such items were expressly mentioned herein. All the provisions of RA No. 9184 and its 2016 revised IRR, including the Generic Procurement Manual, and associated issuances, constitute the primary source for the terms and conditions of the Contract, and thus, applicable in contract implementation. Herein clauses shall serve as the secondary source for the terms and conditions of the Contract.

This is without prejudice to Sections 74.1 and 74.2 of the 2016 revised IRR of RA No. 9184 allowing the GPPB to amend the IRR, which shall be applied to all procurement activities, the advertisement, posting, or invitation of which were issued after the effectivity of the said amendment.

Additional requirements for the completion of this Contract shall be provided in the **Special Conditions of Contract (SCC)**.

2. Advance Payment and Terms of Payment

2.1. Advance payment of the contract amount is provided under Annex "D" of the revised 2016 IRR of RA No. 9184.

2.2. The Procuring Entity is allowed to determine the terms of payment on the partial or staggered delivery of the Goods procured, provided such partial payment shall correspond to the value of the goods delivered and accepted in accordance with prevailing accounting and auditing rules and regulations. The terms of payment are indicated in the **SCC**.

3. Performance Security

Within ten (10) calendar days from receipt of the Notice of Award by the Bidder from the Procuring Entity but in no case later than the signing of the Contract by both parties, the successful Bidder shall furnish the performance security in any of the forms prescribed in Section 39 of the 2016 revised IRR of RA No. 9184.

4. Inspection and Tests

The Procuring Entity or its representative shall have the right to inspect and/or to test the Goods to confirm their conformity to the Project Specifications at no extra cost to the Procuring Entity in accordance with the Generic Procurement Manual and, if applicable, additional tests specified in the **SCC, Section VII (Technical Specifications)**. The Procuring Entity shall notify the Supplier in writing, in a timely manner, of the identity of any representatives retained for these purposes.

All reasonable facilities and assistance for the inspection and testing of Goods, including access to drawings and production data, shall be provided by the Supplier to the authorized inspectors at no charge to the Procuring Entity.

5. Warranty

5.1. In order to assure that manufacturing defects shall be corrected by the Supplier, a warranty shall be required from the Supplier as provided under Section 62.1 of the 2016 revised IRR of RA No. 9184.

5.2. The Procuring Entity shall promptly notify the Supplier in writing of any claims arising under this warranty. Upon receipt of such notice, the Supplier shall, repair or replace the defective Goods or parts thereof without cost to the Procuring Entity, pursuant to the Generic Procurement Manual.

6. Liability of the Supplier

The Supplier's liability under this Contract shall be as provided by the laws of the Republic of the Philippines.

If the Supplier is a joint venture, all partners to the joint venture shall be jointly and severally liable to the Procuring Entity.

**SECTION V.
SPECIAL CONDITIONS OF
CONTRACT**

Special Conditions of Contract

GCC Clause	
1	<p>Delivery and Documents –</p> <p>For purposes of the Contract, “EXW,” “FOB,” “FCA,” “CIF,” “CIP,” “DDP” and other trade terms used to describe the obligations of the parties shall have the meanings assigned to them by the current edition of INCOTERMS published by the International Chamber of Commerce, Paris. The Delivery terms of this Contract shall be as follows:</p> <p><i>[For Goods supplied from abroad, state:]</i> “The delivery terms apply to the Contract are DDP delivered to San Simon Warehouse Facility thru the Provincial General Service Office (PGSO), City of San Fernando, Pampanga in accordance with INCOTERMS.”</p> <p><i>[For Goods supplied from within the Philippines, state:]</i> “The delivery terms applicable to this Contract are Delivered Duty Paid (DDP) to San Simon Warehouse Facility thru Provincial General Services Office (PGSO) City of San Fernando, Pampanga. Risk and title will pass from the Supplier to the Procuring Entity upon receipt and final acceptance of the Goods at their final destination.”</p> <p>Delivery of the Goods shall be made by the Supplier in accordance with the terms specified in Section VI (Schedule of Requirements).</p> <p>For purposes of this Clause the Procuring Entity’s Representative at the Project Site is as stated above.</p> <p>Incidental Services –</p> <p>The Supplier is required to provide all of the following services, including additional services, if any, specified in Section VI. Schedule of Requirements:</p> <p>The Contract price for the Goods shall include the prices charged by the Supplier for incidental services and shall not exceed the prevailing rates charged to other parties by the Supplier for similar services.</p>
3	<p>Within ten (10) calendar days from receipt of the Notice of Award by the Bidder from the Procuring Entity but in no case later than the signing of the Contract by both parties, the successful Bidder shall furnish the performance security in any of the forms prescribed in Section 39 of the 2016 revised IRR of RA No. 9184.</p> <p style="text-align: center;">(a) The Procuring Entity’s address for Notices is: BIDS AND AWARDS COMMITTEE – SECRETARIAT OFFICE, Ground Floor, Provincial Capitol Bldg., City of San Fernando, Pampanga</p> <p>The Supplier’s address for Notices is: _____</p>
5.1	<p><i>At least one (1) year warranty on parts & service from the date of commissioning.</i></p>

SECTION VI.
SCHEDULE OF
REQUIREMENTS

SCHEDULE OF REQUIREMENT

ITEM NO.	Item Description	Quantity	Delivery Date
	Supply & Delivery of 25 units CUSTOM BUILT FABRICATED PUMP	1 lot (Please refer to Section VII. Technical Specifications for the quantity of items)	<i>Delivery within 45 days upon receipt of the Notice to Proceed (NTP) at the San Simon Warehouse Facility thru the Provincial General Services Office (PGSO)</i>

Additional Requirement/Condition:

1. With 24/7 Technical-Support and within 48 hours on-site response;
2. With at least two (2) service facility in the province for after sales service; and
3. On-site installation and commissioning within two (2) days from notification of end-user.

I hereby certify/undertake to comply and deliver all the above requirements.

Name of Company/Bidder

Signature Over Printed Name of Representative

Date

SECTION VII.
TECHNICAL
SPECIFICATIONS

Technical Specification PR No. 24 - 3829

Item No.	Quantity	Unit of Issue	Specification	Statement of Compliance*
1	25	units	<p>CUSTOM BUILT FABRICATED PUMP</p> <p>Specifications:</p> <p>Engine Specs:</p> <ul style="list-style-type: none"> - At least 9.5hp Horizontal Water-Cooled, 4-Cycle Stroke Diesel Engine, Single Cylinder - Bore x Stroke: Manufacturing Standards - Displacement: At least 450cc <p>Fabricated Pump Specs:</p> <ul style="list-style-type: none"> - 20ft. GI Pipe, 1.8mm thickness - 8 inches discharge with swing stainless water pump assembly - Stainless propeller and elbow water jacked with oil lubricated (bearing type with oil seal) - 10 inches pulley - 1" shafting - plastic bushing - propeller (yolk type) - V-belt: B-56 - 2 pcs. PVC 20 feet x 6 inches <p>* See Annex "A" for the Technical Drawing</p>	

*Bidders must state here either "Comply" or "Not Comply" against each of the individual parameters of each Specification stating the corresponding performance parameter of the the equipment offered. Statement of "Comply" or "Not Comply" must be supported by evidence in a Bidder's Bid and cross-referenced to that evidence. Evidence shall be in the the form of manufacturer's un-amended sales literature, unconditional statements of specification and compliance issued by the manufacturer, samples, independent test data etc., as appropriate. A statement that is not supported by evidence or is subsequently found to be contradicted by the evidence presented will render the Bid under evaluation liable for rejection. A statement either in the Bidder's statement of compliance or the supporting evidence that is found to be false either during Bid evaluation, post-qualification or the execution of the Contract may be regarded as fraudulent and render the Bidder or Supplier liable for prosecution subject to the provisions of ITB Clause 3.1 (a) (ii) and/or GCC Clause 2.1 (a) (ii).

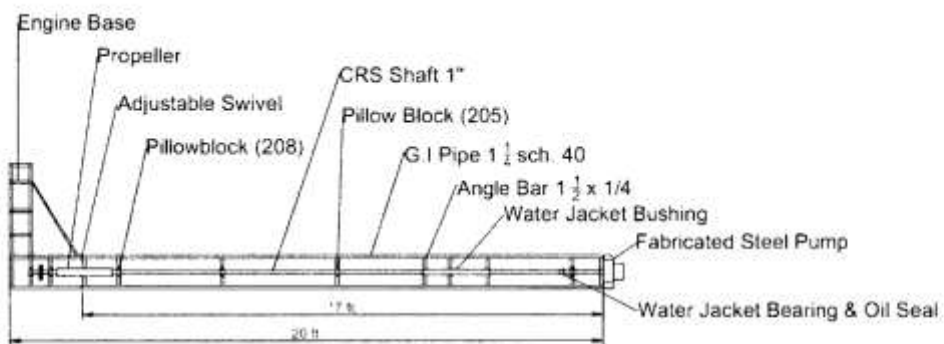
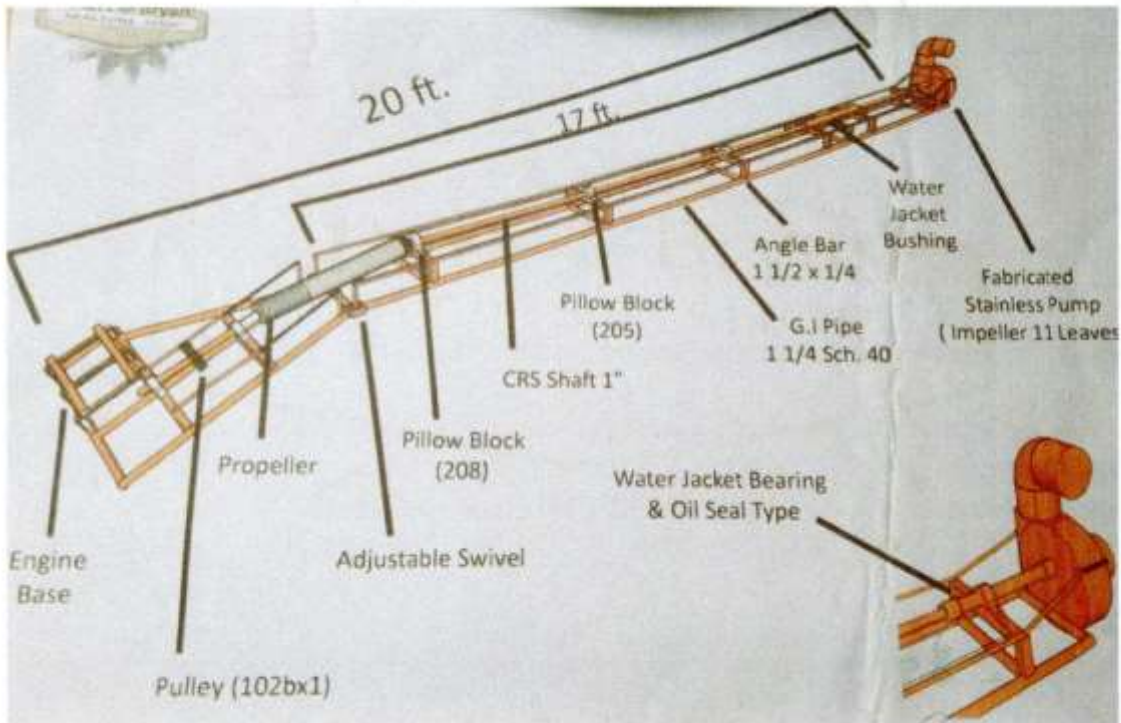
I hereby certify to comply with the Technical Specifications of all the items to be Bid.

Name of Company/Bidder

Signature Over Printed Name of Representative

Date

ANNEX "A"



SECTION VIII.
CHECKLIST OF
TECHNICAL & FINANCIAL
DOCUMENTS



Republic of the Philippines
 PROVINCE OF PAMPANGA
 City of San Fernando

BIDS AND AWARDS COMMITTEE
I.G.-BAC
BIDDING REQUIREMENTS FOR THE PROCUREMENT
OF GOOD/EQUIPMENTS

PROJECT _____

BIDDER _____

Checklist of BID Requirements

I. TECHNICAL COMPONENT ENVELOPE

Class "A" Documents

Legal Documents

--	--	--	--	--	--	--	--

(a.) Valid PhilGEPS Registration Certificate (Platinum Membership)(all pages);
in accordance with Section 8.5.2 of the IRR

Technical Documents

--	--	--	--	--	--	--	--

(b.) Statement of the prospective bidder of all its ongoing government and private contracts, including contracts awarded but not yet started, if any, whether similar or not similar in nature and complexity to the contract to be bid; **and**

--	--	--	--	--	--	--	--

(c.) Statement of bidder's Single Largest Completed Contract (SLCC) similar to the contract to be bid, except under conditions provided for in Sections 23.4.1.3 and 23.4.2.4 of the 2016 revised IRR of RA No. 9184, within the relevant period as provided in the Bidding Documents; **and**

--	--	--	--	--	--	--	--

(d.) Original Copy of Bid Security. If in the form of a Surety Bond, submit also a certification issued by the Insurance Commission;

or

Original Copy of Notarized Bid Securing Declaration; **and**

--	--	--	--	--	--	--	--

(e.) Conformity with the Technical Specifications, which include production/delivery schedule; manpower requirements; aftersales; **and**

--	--	--	--	--	--	--	--

(f.) Original duly signed Omnibus Sworn Statement (OSS); **and** if applicable, Original Notarized Secretary's Certificate in case of a corporation, partnership, or cooperative; or Original Special Power of Attorney of all members of the joint venture giving full power and authority to its officer to sign the OSS and do acts to represent the Bidder.

Financial Documents

--	--	--	--	--	--	--	--

(g.) The prospective bidder's computation of Net Financial Contracting Capacity (NFCC);

or

A committed Line of Credit from a Universal or Commercial Bank in lieu of its NFCC computation

Class "B" Documents

--	--	--	--	--	--	--	--

(h.) If applicable, a duly signed joint venture agreement (JVA) in case the joint venture is already in existence;

or

duly notarized statements from all the potential joint venture partners stating
 Duly notarized statements from all the potential joint venture partners stating
 that the bid is successful.

Other documentary requirements under RA No. 9184 (as applicable)

--	--	--	--	--	--	--	--

(i.) [For foreign bidders claiming by reason of their country's extention of reciprocal rights to Filipinos] Certification from the relevant government office of their country stating that Filipinos are allowed to participate in government procurement activities for the same item or product.

--	--	--	--	--	--	--	--

(j.) Certification from the DTI if the Bidder claims preference as a Domestic Bidder or Domestic Entity.

II. FINANCIAL COMPONENT ENVELOPE

--	--	--	--	--	--	--	--

(a.) Original of duly signed and accomplished Financial Bid Form; **and**

--	--	--	--	--	--	--	--

(b.) Original of duly signed and accomplished Price Schedule(s)

NOTE : Any missing document/s in the above -mentioned checklist is a ground for outright declaration of "Non-Compliance" Suppliers and Contractors who will participate in the public bidding of the Province are required to submit One (1) Copy of the first & second components of their technical documents duly signed by the authorized signatory.

[] Complying

[] Non-Complying

SECTION IX.
OTHER BIDDING
DOCUMENTS

Bid Form for the Procurement of Goods

[shall be submitted with the Bid]

BID FORM

Date : _____
Project Identification No. : _____

To: [name and address of Procuring Entity]

Having examined the Philippine Bidding Documents (PBDs) including the Supplemental or Bid Bulletin Numbers *[insert numbers]*, the receipt of which is hereby duly acknowledged, we, the undersigned, offer to *[supply/deliver/perform]* *[description of the Goods]* in conformity with the said PBDs for the sum of *[total Bid amount in words and figures]* or the total calculated bid price, as evaluated and corrected for computational errors, and other bid modifications in accordance with the Price Schedules attached herewith and made part of this Bid. The total bid price includes the cost of all taxes, such as, but not limited to: *[specify the applicable taxes, e.g. (i) value added tax (VAT), (ii) income tax, (iii) local taxes, and (iv) other fiscal levies and duties]*, which are itemized herein or in the Price Schedules,

If our Bid is accepted, we undertake:

- a. to deliver the goods in accordance with the delivery schedule specified in the Schedule of Requirements of the Philippine Bidding Documents (PBDs);
- b. to provide a performance security in the form, amounts, and within the times prescribed in the PBDs;
- c. to abide by the Bid Validity Period specified in the PBDs and it shall remain binding upon us at any time before the expiration of that period.

[Insert this paragraph if Foreign-Assisted Project with the Development Partner:

Commissions or gratuities, if any, paid or to be paid by us to agents relating to this Bid, and to contract execution if we are awarded the contract, are listed below:

Name and address of agent	Amount and Purpose of Commission or gratuity
---------------------------	--

_____	_____
_____	_____
_____	_____

(if none, state "None")]

Until a formal Contract is prepared and executed, this Bid, together with your written acceptance thereof and your Notice of Award, shall be binding upon us.

We understand that you are not bound to accept the Lowest Calculated Bid or any Bid you may receive.

We certify/confirm that we comply with the eligibility requirements pursuant to the PBDs.

The undersigned is authorized to submit the bid on behalf of *[name of the bidder]* as evidenced by the attached *[state the written authority]*.

We acknowledge that failure to sign each and every page of this Bid Form, including the attached Schedule of Prices, shall be a ground for the rejection of our bid.

Name: _____

Legal capacity: _____

Signature: _____

Duly authorized to sign the Bid for and behalf of: _____

Date: _____

**** Mandatory Provision pursuant to Government Procurement Policy Board (GPPB) Resolution No. 16-2020 dated September 16, 2020.***

Price Schedule for Goods Offered from Abroad
[shall be submitted with the Bid if bidder is offering goods from Abroad]

For Goods Offered from Abroad

Name of Bidder _____ Project ID No. _____ Page ___ of ___

1	2	3	4	5	6	7	8	9
Item	Description	Country of origin	Quantity	Unit price CIF port of entry (specify port) or CIP named place (specify border point or place of destination)	Total CIF or CIP price per item (col. 4 x 5)	Unit Price Delivered Duty Unpaid (DDU)	Unit price Delivered Duty Paid (DDP)	Total Price delivered DDP (col 4 x 8)

Name: _____

Legal Capacity: _____

Signature: _____

Duly authorized to sign the Bid for and behalf of: _____

*** Mandatory Provision pursuant to Government Procurement Policy Board (GPPB) Resolution No. 16-2020 dated September 16, 2020**

Price Schedule for Goods Offered from Within the Philippines

[shall be submitted with the Bid if bidder is offering goods from within the Philippines]

For Goods Offered from Within the Philippines

Name of Bidder _____ Project ID No. _____ Page ___ of ___

1	2	3	4	5	6	7	8	9	10
Item	Description	Country of origin	Quantity	Unit price EXW per item	Transportation and all other costs incidental to delivery, per item	Sales and other taxes payable if Contract is awarded, per item	Cost of Incidental Services, if applicable, per item	Total Price, per unit (col 5+6+7+8)	Total Price delivered Final Destination (col 9) x (col 4)

Name: _____

Legal Capacity: _____

Signature: _____

Duly authorized to sign the Bid for and behalf of: _____

*** Mandatory Provision pursuant to Government Procurement Policy Board (GPPB) Resolution No. 16-2020 dated September 16, 2020.**

Bid Securing Declaration Form

[shall be submitted with the Bid if bidder opts to provide this form of bid security]

REPUBLIC OF THE PHILIPPINES) CITY OF
_____) S.S.

BID SECURING DECLARATION Project Identification No.: *[Insert number]*

To: *[Insert name and address of the Procuring Entity]*

I/We, the undersigned, declare that:

1. I/We understand that, according to your conditions, bids must be supported by a Bid Security, which may be in the form of a Bid Securing Declaration.
2. I/We accept that: (a) I/we will be automatically disqualified from bidding for any procurement contract with any procuring entity for a period of two (2) years upon receipt of your Blacklisting Order; and, (b) I/we will pay the applicable fine provided under Section 6 of the Guidelines on the Use of Bid Securing Declaration, within fifteen (15) days from receipt of the written demand by the procuring entity for the commission of acts resulting to the enforcement of the bid securing declaration under Sections 23.1(b), 34.2, 40.1 and 69.1, except 69.1(f), of the IRR of RA No. 9184; without prejudice to other legal action the government may undertake.
3. I/We understand that this Bid Securing Declaration shall cease to be valid on the following circumstances:
 - a. Upon expiration of the bid validity period, or any extension thereof pursuant to your request;
 - b. I am/we are declared ineligible or post-disqualified upon receipt of your notice to such effect, and (i) I/we failed to timely file a request for reconsideration or (ii) I/we filed a waiver to avail of said right; and
 - c. I am/we are declared the bidder with the Lowest Calculated Responsive Bid, and I/we have furnished the performance security and signed the Contract.

IN WITNESS WHEREOF, I/We have hereunto set my/our hand/s this ___ day of *[month]* *[year]* at *[place of execution]*.

*[Insert NAME OF BIDDER OR ITS AUTHORIZED
REPRESENTATIVE]*
[Insert signatory's legal capacity] Affiant

[Iurat]

[Format shall be based on the latest Rules on Notarial Practice]

*** Mandatory Provision pursuant to Government Procurement Policy Board (GPPB) Resolution No. 16-2020 dated September 16, 2020.**

Contract Agreement Form for the Procurement of Goods (Revised)

[Not required to be submitted with the Bid, but it shall be submitted within ten (10) days after receiving the Notice of Award]

CONTRACT AGREEMENT

THIS AGREEMENT made the ___ day of _____ 20___ between [name of PROCURING ENTITY] of the Philippines (hereinafter called “the Entity”) of the one part and [name of Supplier] of [city and country of Supplier] (hereinafter called “the Supplier”) of the other part;

WHEREAS, the Entity invited Bids for certain goods and ancillary services, particularly [brief description of goods and services] and has accepted a Bid by the Supplier for the supply of those goods and services in the sum of *[contract price in words and figures in specified currency]* (hereinafter called “the Contract Price”).

NOW THIS AGREEMENT WITNESSETH AS FOLLOWS:

1. In this Agreement words and expressions shall have the same meanings as are respectively assigned to them in the Conditions of Contract referred to.

2. The following documents as required by the 2016 revised Implementing Rules and Regulations of Republic Act No. 9184 shall be deemed to form and be read and construed as integral part of this Agreement, *viz.*:

- i. Philippine Bidding Documents (PBDs);
 - i. Schedule of Requirements;
 - ii. Technical Specifications;
 - iii. General and Special Conditions of Contract; and
 - iv. Supplemental or Bid Bulletins, if any
- ii. Winning bidder’s bid, including the Eligibility requirements, Technical and Financial Proposals, and all other documents or statements submitted;

Bid form, including all the documents/statements contained in the Bidder’s bidding envelopes, as annexes, and all other documents submitted (*e.g.*, Bidder’s response to request for clarifications on the bid), including corrections to the bid, if any, resulting from the Procuring Entity’s bid evaluation;

iii. Performance Security;

iv. Notice of Award of Contract; and the Bidder’s conforme thereto; and

v. Other contract documents that may be required by existing laws and/or the Procuring Entity concerned in the PBDs. **Winning bidder agrees that additional contract documents or information prescribed by the GPPB that are subsequently required for submission after the contract execution, such as the Notice to Proceed, Variation Orders, and Warranty Security, shall likewise form part of the Contract.**

3. In consideration for the sum of *[total contract price in words and figures]* or such other sums as may be ascertained, *[Named of the bidder]* agrees to *[state the object of the contract]* in accordance with his/her/its Bid.

4. The *[Name of the procuring entity]* agrees to pay the above-mentioned sum in accordance with the terms of the Bidding.

IN WITNESS whereof the parties hereto have caused this Agreement to be executed in accordance with the laws of the Republic of the Philippines on the day and year first above written.

[Insert Name and Signature]

[Insert Name and Signature]

*[Insert Signatory's Legal Capacity]
for:*

*[Insert Signatory's Legal Capacity]
for:*

[Insert Procuring Entity]

[Insert Name of Supplier]

Acknowledgment

[Format shall be based on the latest Rules on Notarial Practice]

**** Mandatory Provision pursuant to Government Procurement Policy Board (GPPB) Resolution No. 16-2020 dated September 16, 2020.***

Omnibus Sworn Statement (Revised)

[shall be submitted with the Bid]

REPUBLIC OF THE PHILIPPINES)
CITY/MUNICIPALITY OF _____) S.S.

AFFIDAVIT

I, [Name of Affiant], of legal age, [Civil Status], [Nationality], and residing at [Address of Affiant], after having been duly sworn in accordance with law, do hereby depose and state that:

1. *[Select one, delete the other:]*

[If a sole proprietorship:] I am the sole proprietor or authorized representative of [Name of Bidder] with office address at [address of Bidder];

[If a partnership, corporation, cooperative, or joint venture:] I am the duly authorized and designated representative of [Name of Bidder] with office address at [address of Bidder];

2. *[Select one, delete the other:]*

[If a sole proprietorship:] As the owner and sole proprietor, or authorized representative of [Name of Bidder], I have full power and authority to do, execute and perform any and all acts necessary to participate, submit the bid, and to sign and execute the ensuing contract for [Name of the Project] of the [Name of the Procuring Entity], as shown in the attached duly notarized Special Power of Attorney;

[If a partnership, corporation, cooperative, or joint venture:] I am granted full power and authority to do, execute and perform any and all acts necessary to participate, submit the bid, and to sign and execute the ensuing contract for [Name of the Project] of the [Name of the Procuring Entity], as shown in the attached [state title of attached document showing proof of authorization (e.g., duly notarized Secretary's Certificate, Board/Partnership Resolution, or Special Power of Attorney, whichever is applicable)];

3. [Name of Bidder] is not "blacklisted" or barred from bidding by the Government of the Philippines or any of its agencies, offices, corporations, or Local Government Units, foreign government/foreign or international financing institution whose blacklisting rules have been recognized by the Government Procurement Policy Board, **by itself or by relation, membership, association, affiliation, or controlling interest with another blacklisted person or entity as defined and provided for in the Uniform Guidelines on Blacklisting;**

4. Each of the documents submitted in satisfaction of the bidding requirements is an authentic copy of the original, complete, and all statements and information provided therein are true and correct;

5. [Name of Bidder] is authorizing the Head of the Procuring Entity or its duly authorized representative(s) to verify all the documents submitted;

6. [Select one, delete the rest:]

[If a sole proprietorship:] The owner or sole proprietor is not related to the Head of the Procuring Entity, members of the Bids and Awards Committee (BAC), the Technical Working Group, and the BAC Secretariat, the head of the Project Management Office or the end-user unit, and the project consultants by consanguinity or affinity up to the third civil degree;

[If a partnership or cooperative:] None of the officers and members of [Name of Bidder] is related to the Head of the Procuring Entity, members of the Bids and Awards Committee (BAC), the Technical Working Group, and the BAC Secretariat, the head of the Project Management Office or the end-user unit, and the project consultants by consanguinity or affinity up to the third civil degree;

[If a corporation or joint venture:] None of the officers, directors, and controlling stockholders of [Name of Bidder] is related to the Head of the Procuring Entity, members of the Bids and Awards Committee (BAC), the Technical Working Group, and the BAC Secretariat, the head of the Project Management Office or the end-user unit, and the project consultants by consanguinity or affinity up to the third civil degree;

7. [Name of Bidder] complies with existing labor laws and standards; and
8. [Name of Bidder] is aware of and has undertaken the responsibilities as a Bidder in compliance with the Philippine Bidding Documents, which includes:
- a. Carefully examining all of the Bidding Documents;
 - b. Acknowledging all conditions, local or otherwise, affecting the implementation of the Contract;
 - c. Making an estimate of the facilities available and needed for the contract to be bid, if any; and
 - d. Inquiring or securing Supplemental/Bid Bulletin(s) issued for the [Name of the Project].
9. [Name of Bidder] did not give or pay directly or indirectly, any commission, amount, fee, or any form of consideration, pecuniary or otherwise, to any person or official, personnel or representative of the government in relation to any procurement project or activity.
10. **In case advance payment was made or given, failure to perform or deliver any of the obligations and undertakings in the contract shall be sufficient grounds to constitute criminal liability for Swindling (Estafa) or the commission of fraud with unfaithfulness or abuse of confidence through misappropriating or converting any payment received by a person or entity under an obligation involving the duty to deliver certain goods or services, to the prejudice of the public and the government of the Philippines pursuant to Article 315 of Act No. 3815 s. 1930, as amended, or the Revised Penal Code.**

IN WITNESS WHEREOF, I have hereunto set my hand this __ day of __, 20__ at _____, Philippines.

[Insert NAME OF BIDDER OR ITS AUTHORIZED REPRESENTATIVE]

[Insert signatory's legal capacity]

Affiant

*** Mandatory Provision pursuant to Government Procurement Policy Board (GPPB) Resolution No. 16-2020 dated September 16, 2020.**

Performance Securing Declaration (Revised)

[if used as an alternative performance security but it is not required to be submitted with the Bid, as it shall be submitted within ten (10) days after receiving the Notice of Award]

REPUBLIC OF THE PHILIPPINES)
CITY OF _____) S.S.

PERFORMANCE SECURING DECLARATION

Invitation to Bid: [Insert Reference Number indicated in the Bidding Documents] To:
[Insert name and address of the Procuring Entity]

I/We, the undersigned, declare that:

1. I/We understand that, according to your conditions, to guarantee the faithful performance by the supplier/distributor/manufacturer/contractor/consultant of its obligations under the Contract, I/we shall submit a Performance Securing Declaration within a maximum period of ten (10) calendar days from the receipt of the Notice of Award prior to the signing of the Contract.
2. I/We accept that: I/we will be automatically disqualified from bidding for any procurement contract with any procuring entity for a period of one (1) year for the first offense, or two (2) years **for the second offense**, upon receipt of your Blacklisting Order if I/We have violated my/our obligations under the Contract;
3. I/We understand that this Performance Securing Declaration shall cease to be valid upon:
 - a. issuance by the Procuring Entity of the Certificate of Final Acceptance, subject to the following conditions:
 - i. Procuring Entity has no claims filed against the contract awardee;
 - ii. It has no claims for labor and materials filed against the contractor; and
 - iii. Other terms of the contract; or
 - b. replacement by the winning bidder of the submitted PSD with a performance security in any of the prescribed forms under Section 39.2 of the 2016 revised IRR of RA No. 9184 as required by the end-user.

IN WITNESS WHEREOF, I/We have hereunto set my/our hand/s this ___ day of [month] [year] at [place of execution].

*[Insert NAME OF BIDDER OR ITS
AUTHORIZED REPRESENTATIVE]
[Insert signatory's legal capacity]
Affiant*

[Iurat]

[Format shall be based on the latest Rules on Notarial Practice]

*** Mandatory Provision pursuant to Government Procurement Policy Board (GPPB) Resolution No. 16-2020 dated September 16, 2020.**

Statement of Single Largest Completed Contract (SLCC)

Business Name : _____
Business Address : _____

Name of Contract	Date of Contract	Contract Duration	Owner's Name and Address	Description/Kinds of Goods	Amount of Completed Contract/s*	Date of Delivery

Note: This Statement shall be supported with end user's acceptance or official receipt(s) or sales invoice issued for the contract.
 *Adjusted by the bidder to current prices using PSA's consumer price index, when necessary, for the purpose of meeting the SLCC requirement.

Submitted by: _____
 (Printed Name & Signature)
 Designation : _____
 Date : _____

** Mandatory Provision pursuant to Government Procurement Policy Board (GPPB) Resolution No. 16-2020 dated September 16, 2020.*

List of All Ongoing Government and Private Contracts including contracts awarded but not yet started

Business Name : _____
Business Address : _____

Name of the Contract	Date of the Contract	Contract Duration	Owner's Name and Address	Description/Kinds of Goods	Amount of Contract/s	Date of Delivery

Submitted by: _____
(Printed Name & Signature)
Designation : _____
Date : _____

** Mandatory Provision pursuant to Government Procurement Policy Board (GPPB) Resolution No. 16-2020 dated September 16, 2020.*

NFCC COMPUTATION FOR ELIGIBILITY CHECK (REVISED)

A.

		Year 20____
1.	Approved Budget for the Contract (ABC)	
2.	Current Assets	
3.	Current Liabilities	
4.	Net Working Capital	
5.	Total value of all outstanding or ongoing Projects	

B. The Net Financial Contracting Capacity (NFCC) based on the above data is computed as follows:

NFCC= [(Current assets minus current liabilities) (15)] minus the value of all outstanding or uncompleted portions of the projects under ongoing contracts, including awarded contracts yet to be started, coinciding with the contract to be bid.

NFCC=P_____

Submitted by:

Name of Supplier/Distributor/Manufacturer

Signature of Authorized Representative

Date:_____

** Mandatory Provision pursuant to Government Procurement Policy Board (GPPB) Resolution No. 16-2020 dated September 16, 2020*