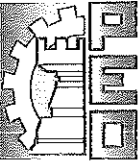
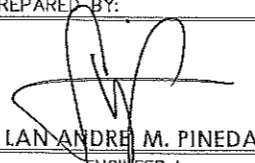
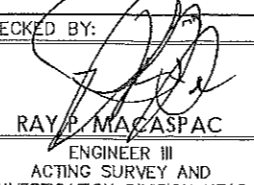
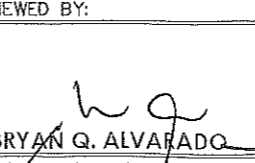
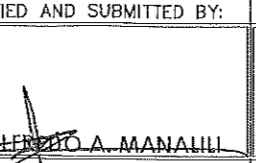
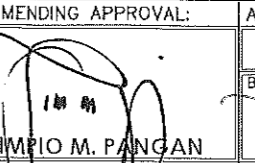
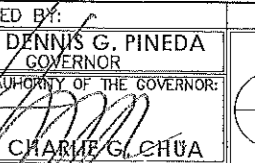





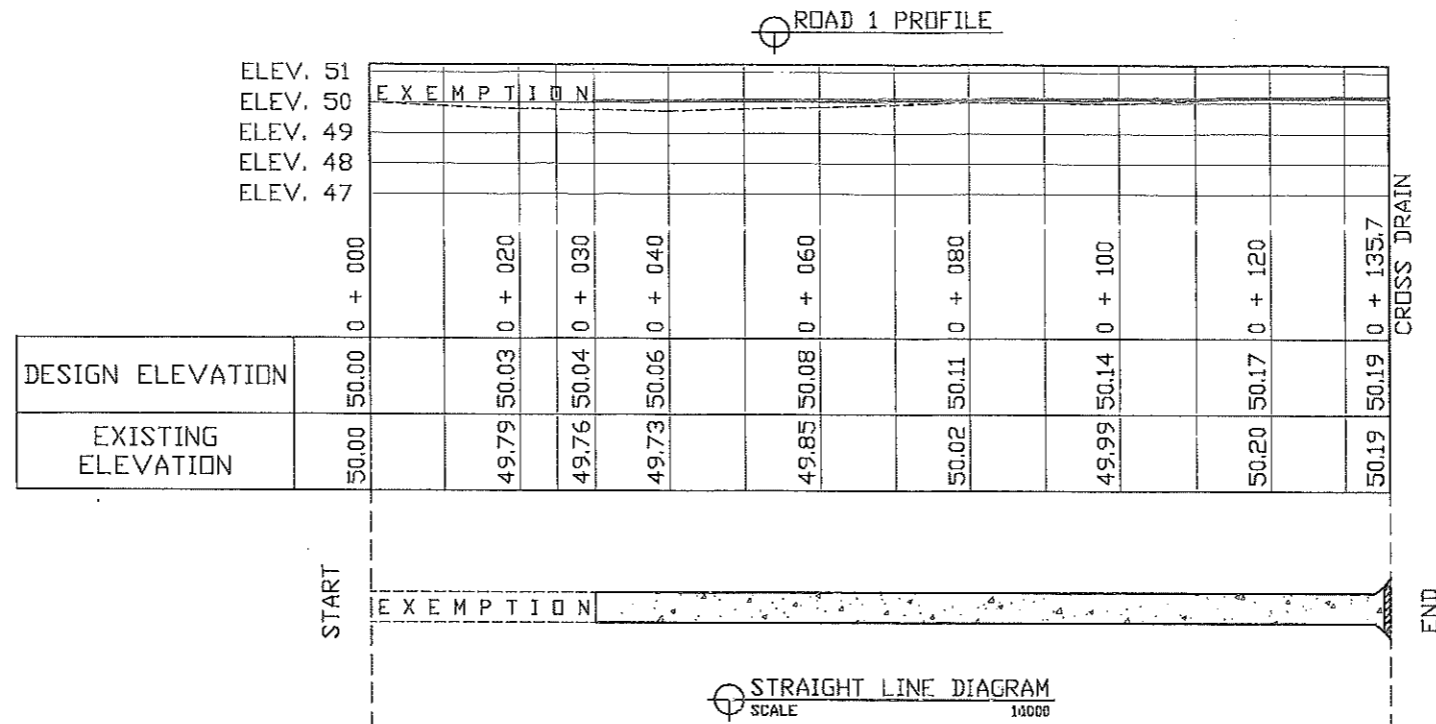
VICINITY MAP OF ROAD 1 & 2

SCALE

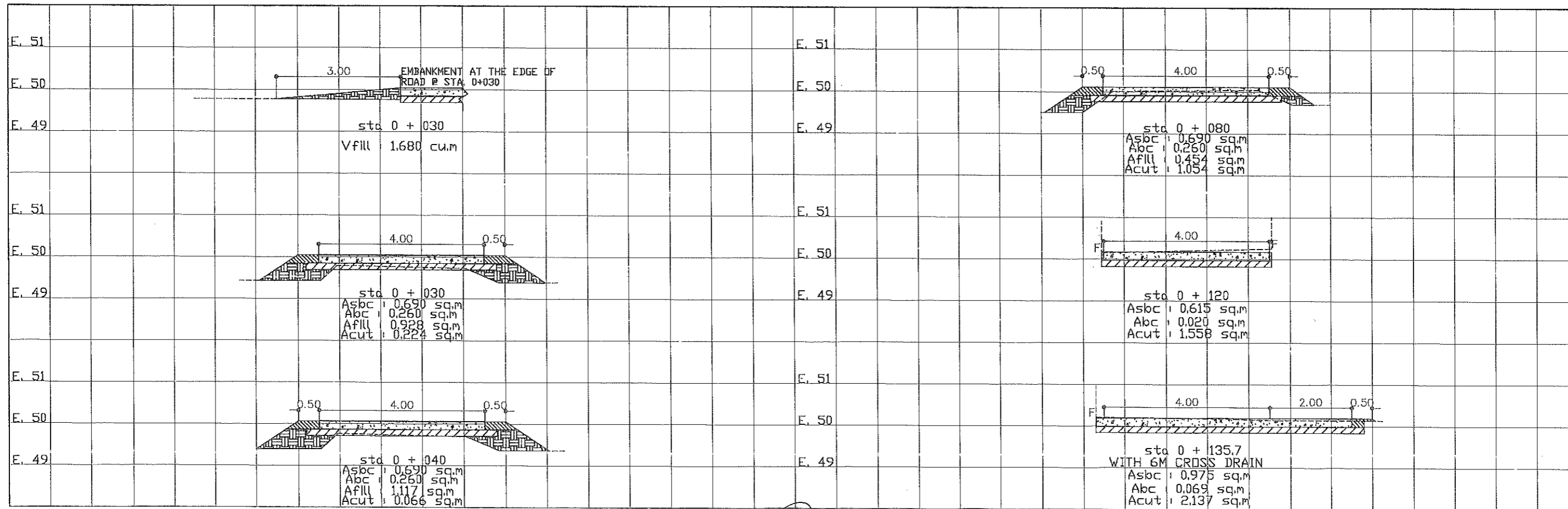
NTS

	FROM THE OFFICE OF:	PROJECT TITLE:	PREPARED BY:	CHECKED BY:	REVIEWED BY:	VERIFIED AND SUBMITTED BY:	RECOMMENDING APPROVAL:	APPROVED BY:	<div style="border: 1px solid black; border-radius: 50%; width: 30px; height: 30px; display: flex; align-items: center; justify-content: center;"> 1 5 </div>
	REPUBLIC OF THE PHILIPPINES PROVINCE OF PAMPANGA PROVINCIAL ENGINEER'S OFFICE CAPITOL COMPOUND, CITY OF SAN FERNANDO, (P)	IMPROVEMENT / CONCRETING OF BARANGAY ROAD LOCATION: GATIWIN, ARAYAT, PAMPANGA	 LAN ANDRE M. PINEDA ENGINEER I	 RAY P. MACASPAC ENGINEER III ACTING SURVEY AND INVESTIGATION DIVISION HEAD	 BRYAN G. ALVARADO MAINTENANCE DIVISION HEAD	 WILFREDO A. MANALILI ASSISTANT PROVINCIAL ENGINEER	 OLIMPIO M. PANGAN PROVINCIAL ENGINEER	 HON. DENNIS G. PINEDA GOVERNOR BY THE AUTHORITY OF THE GOVERNOR:  ATTY. CHARMIE G. CHUA PROVINCIAL ADMINISTRATOR	

- LEGEND :
- PROPOSED GRADE
 - EXISTING GRADE
 - - - - - ROAD CENTERLINE
 - ROAD EDGE
 - ////// PROPOSED CROSS DRAIN



NOTE:
 1. 200MM THK. PCCP
 2. 150MM THK AGGREGATE SUBBASE COURSE

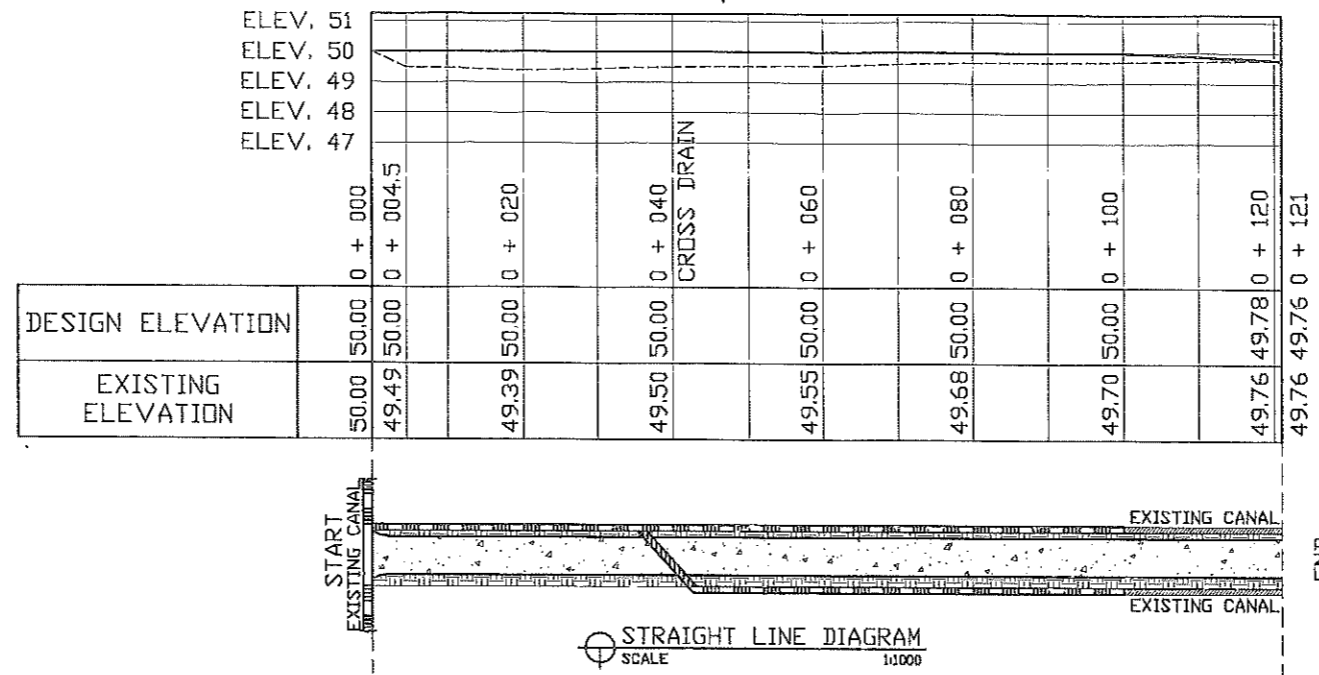


<p>FROM THE OFFICE OF:</p> <p style="text-align: center;">REPUBLIC OF THE PHILIPPINES PROVINCE OF PAMPANGA</p> <p style="text-align: center;">PROVINCIAL ENGINEER'S OFFICE</p> <p style="text-align: center;">CAPITOL COMPOUND, CITY OF SAN FERNANDO, (P)</p>	<p>PROJECT TITLE:</p> <p style="text-align: center;">IMPROVEMENT / CONCRETING OF BARANGAY ROAD</p> <p>LOCATION:</p> <p style="text-align: center;">GATIAWIN, ARAYAT, PAMPANGA</p>	<p>PREPARED BY:</p> <p style="text-align: center;"><i>[Signature]</i> LAN ANDREI M. PINEDA ENGINEER I</p>	<p>CHECKED BY:</p> <p style="text-align: center;"><i>[Signature]</i> RA P. MACASPAC ENGINEER III ACTING SURVEY AND INVESTIGATION DIVISION HEAD</p>	<p>REVIEWED BY:</p> <p style="text-align: center;"><i>[Signature]</i> BRYAN Q. ALVARADO MAINTENANCE DIVISION HEAD</p>	<p>VERIFIED AND SUBMITTED BY:</p> <p style="text-align: center;"><i>[Signature]</i> WILFREDO A. MANATHI ASSISTANT PROVINCIAL ENGINEER</p>	<p>RECOMMENDING APPROVAL:</p> <p style="text-align: center;">OLIMPIO M. PANGAN PROVINCIAL ENGINEER</p>	<p>APPROVED BY:</p> <p style="text-align: center;">HON. DENNIS G. PINEDA GOVERNOR BY THE AUTHORITY OF THE GOVERNOR:</p> <p style="text-align: center;"><i>[Signature]</i> ATTY. CHARLIE G. CHUA PROVINCIAL ADMINISTRATOR</p>
--	---	---	--	---	---	--	--

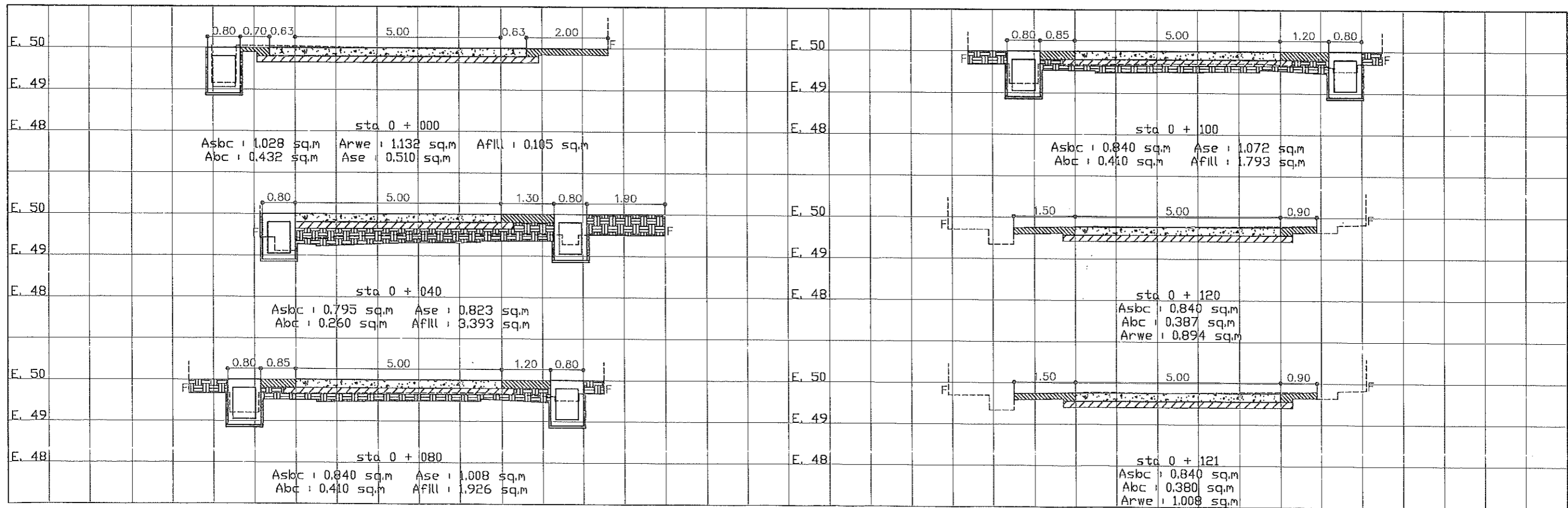
LEGEND :

- PROPOSED GRADE
- EXISTING GRADE
- ROAD CENTERLINE
- ROAD EDGE
- PROPOSED CROSS DRAIN
- PROPOSED CHB LINED CANAL
- SHOULDER

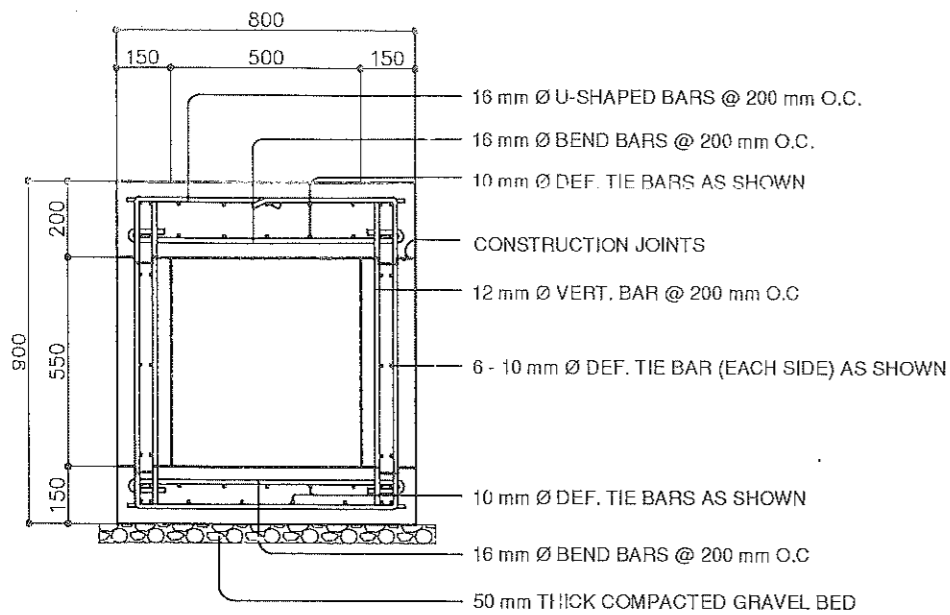
ROAD 2 PROFILE



NOTE:
1. 200MM THK. PCCP
2. 150MM THK AGGREGATE SUBBASE COURSE

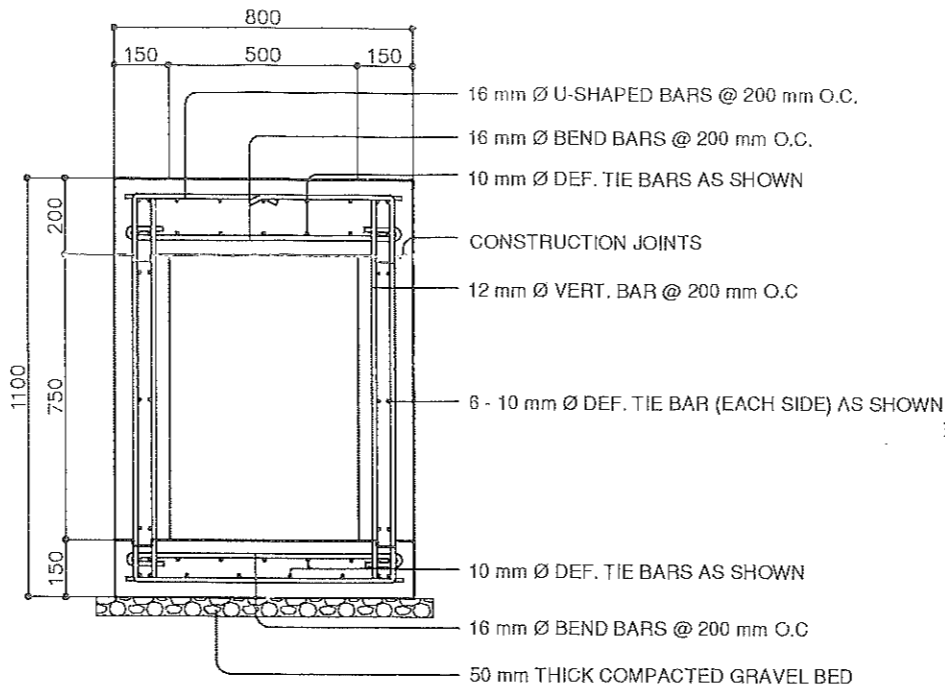


FROM THE OFFICE OF: REPUBLIC OF THE PHILIPPINES PROVINCE OF PAMPANGA PROVINCIAL ENGINEER'S OFFICE CAPITOL COMPOUND, CITY OF SAN FERNANDO, (P)	PROJECT TITLE: IMPROVEMENT / CONCRETING OF BARANGAY ROAD LOCATION: GATAWIN, ARAYAT, PAMPANGA	PREPARED BY: LAN ANDREI M. PINEDA ENGINEER I	CHECKED BY: RAY MACASPAC ENGINEER III ACTING SURVEY AND INVESTIGATION DIVISION HEAD	REVIEWED BY: BRYAN Q. ALVARADO MAINTENANCE DIVISION HEAD	VERIFIED AND SUBMITTED BY: WILFREDO A. MANALILI ASSISTANT PROVINCIAL ENGINEER	RECOMMENDING APPROVAL: OLIMPIO M. PANGAN PROVINCIAL ENGINEER	APPROVED BY: HON. DENNIS G. PINEDA GOVERNOR BY THE AUTHORITY OF THE GOVERNOR: ATTY. CHARLES S. CHUA PROVINCIAL ADMINISTRATOR
--	---	---	--	---	--	---	---



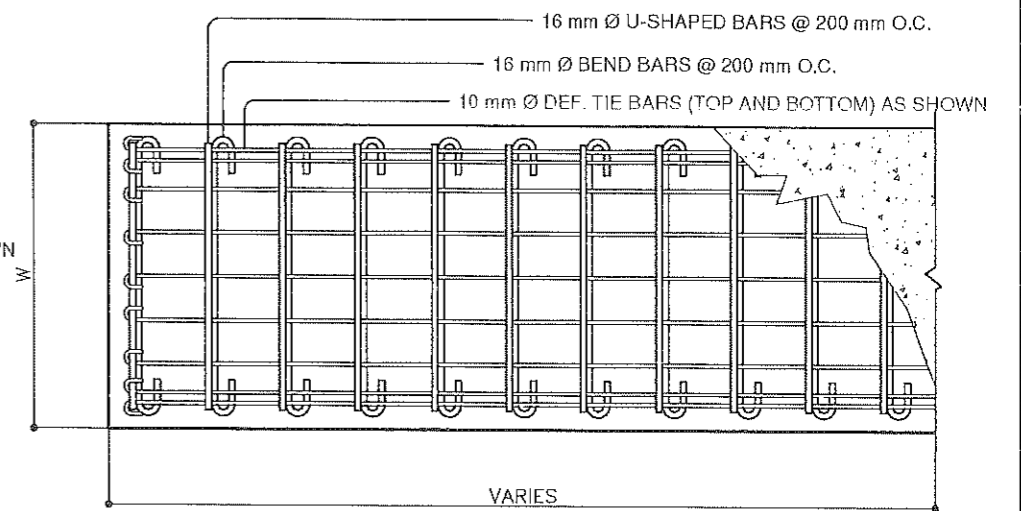
LENGTH = 6 METERS
DETAIL OF CROSS DRAIN 1

SCALE 1:20



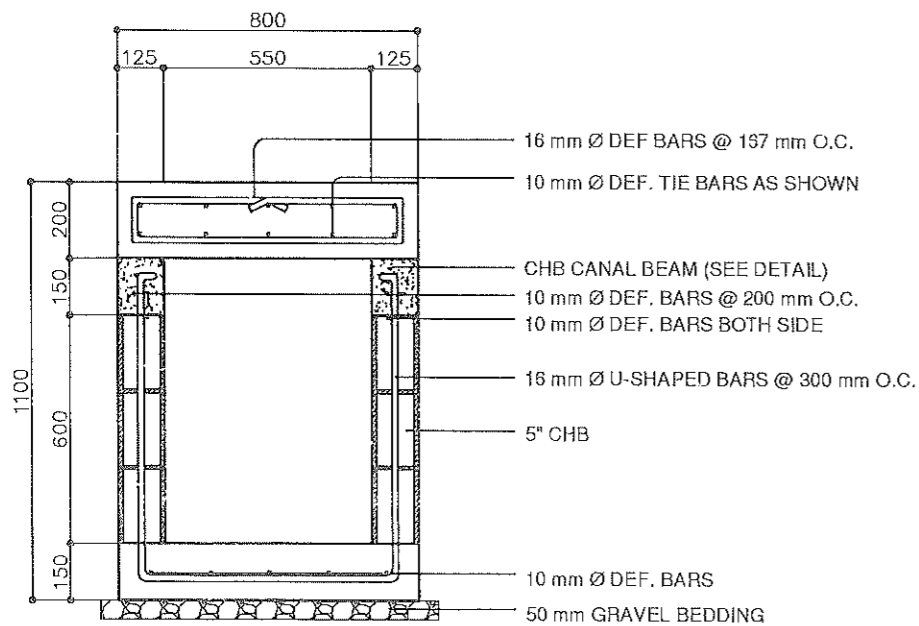
LENGTH = 9.0 METERS
DETAIL OF CROSS DRAIN 2

SCALE 1:20



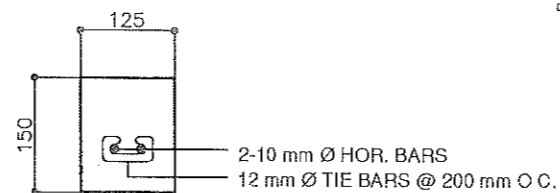
DETAIL OF CROSS DRAIN COVER (FIXED)

SCALE 1:20



LENGTH = 100 METERS LEFT & 60 METERS RIGHT
DETAIL OF CHB LINED CANAL

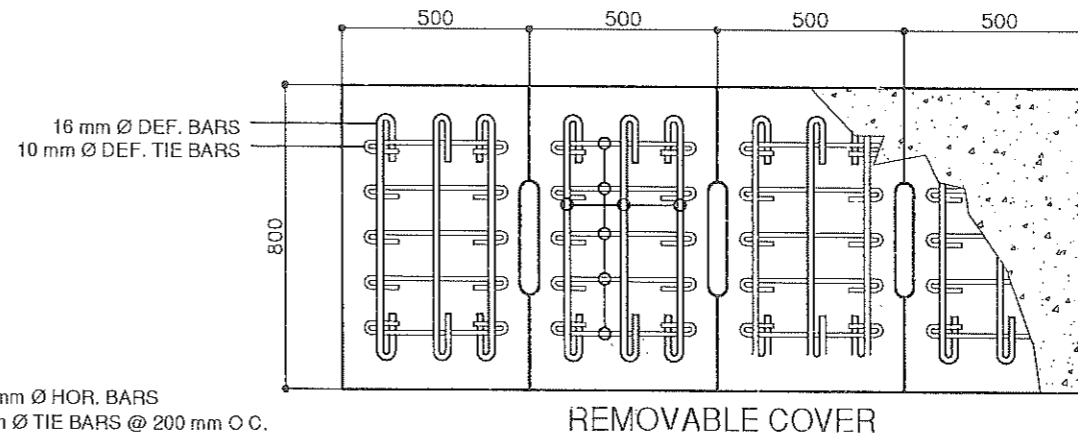
SCALE 1:20



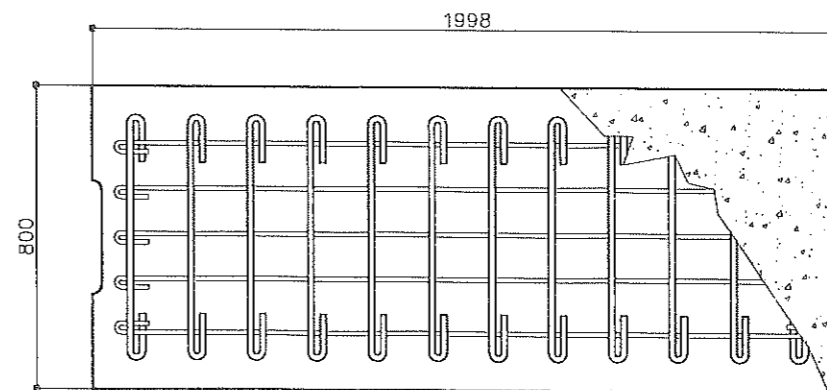
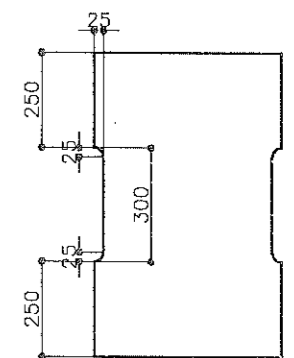
MAIN BARS : 2 - 10 mm Ø
TIE BARS : EVERY @ 200 mm

DETAIL OF CANAL BEAM

SCALE 1:10



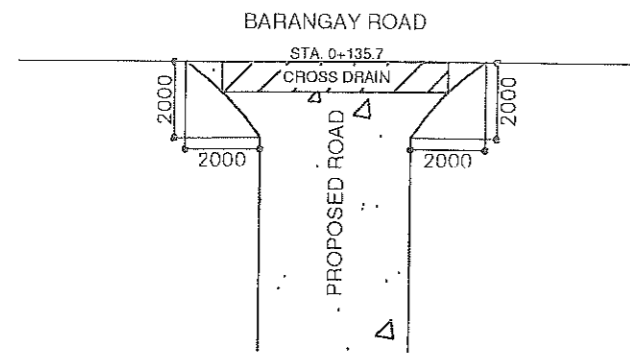
REMOVABLE COVER



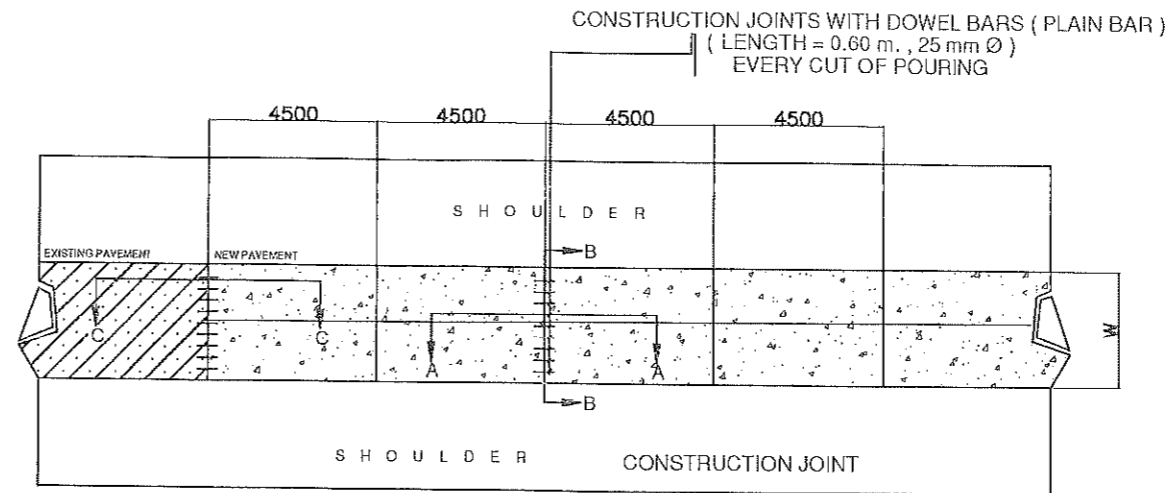
FIXED COVER

	FROM THE OFFICE OF:	PROJECT TITLE:	PREPARED BY:	CHECKED BY:	REVIEWED BY:	VERIFIED AND SUBMITTED BY:	RECOMMENDING APPROVAL:	APPROVED BY:
	REPUBLIC OF THE PHILIPPINES PROVINCE OF PAMPANGA PROVINCIAL ENGINEER'S OFFICE CAPITOL COMPOUND, CITY OF SAN FERNANDO, (P)	IMPROVEMENT / CONCRETING OF BARANGAY ROAD LOCATION: GATAWIN, ARAYAT, PAMPANGA	LAN ANDRE M. PINEDA ENGINEER I	 RAN P. MACASPAC ENGINEER III ACTING SURVEY AND INVESTIGATION DIVISION HEAD	 BRYAN Q. ALVARADO MAINTENANCE DIVISION HEAD	 WILFREDO A. MANALILI ASSISTANT PROVINCIAL ENGINEER	 OLIMPIO M. PANGAN PROVINCIAL ENGINEER	HON. DENNIS G. PINEDA GOVERNOR BY THE AUTHORITY OF THE GOVERNOR: ATTY. CHARIE G. CHUA PROVINCIAL ADMINISTRATOR

DESIGN STANDARD FOR PORTLAND CEMENT CONCRETE PAVEMENT

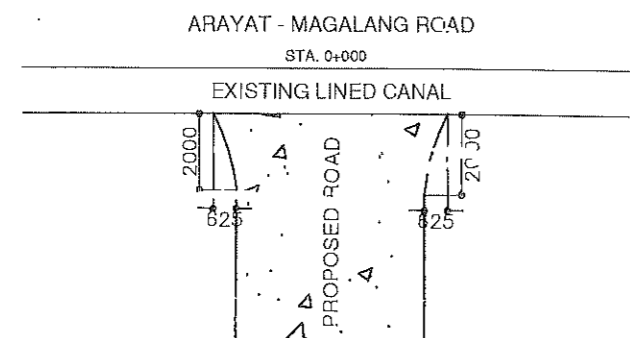


FLARE DETAIL AT STA 0+135.7 (ROAD 1)
SCALE 1:200

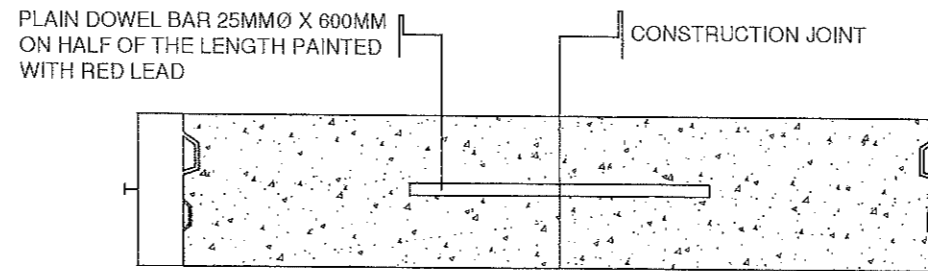


SPACING OF DOWEL BAR (Diameter 25mm / Length = 600mm)	
SLAB DEPTH, (T) (mm)	SPACING (mm)
200	300
250	200
300	150

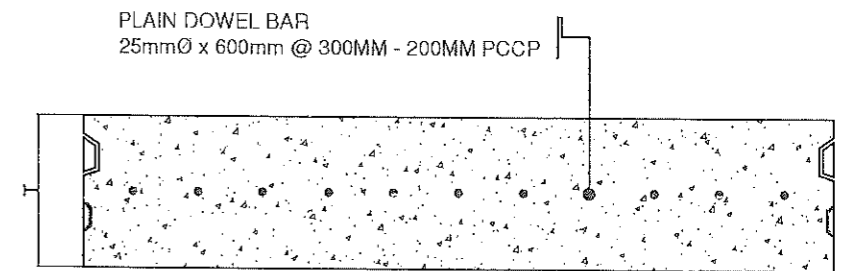
PAVEMENT LAYOUT PLAN
SCALE 1:200



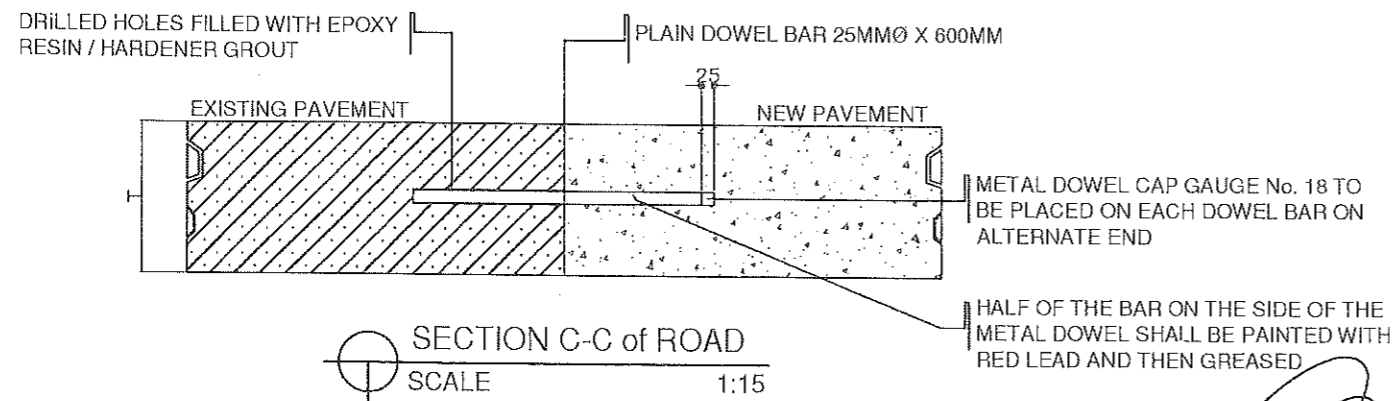
FLARE DETAIL AT STA 0+000 (ROAD 2)
SCALE 1:200



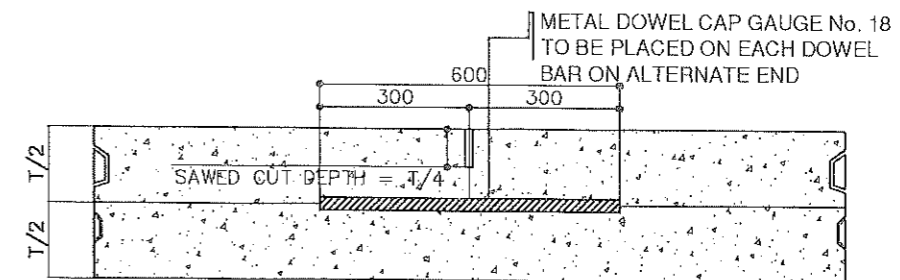
SECTION A-A of ROAD
SCALE 1:15



SECTION B-B of ROAD
SCALE 1:15



SECTION C-C of ROAD
SCALE 1:15



CONSTRUCTION JOINT SECTION
SCALE 1:15

	FROM THE OFFICE OF:	PROJECT TITLE:	PREPARED BY:	CHECKED BY:	REVIEWED BY:	VERIFIED AND SUBMITTED BY:	RECOMMENDING APPROVAL:	APPROVED BY:
	REPUBLIC OF THE PHILIPPINES PROVINCE OF PAMPANGA PROVINCIAL ENGINEER'S OFFICE CAPITOL COMPOUND, CITY OF SAN FERNANDO, (P)	IMPROVEMENT / CONCRETING OF BARANGAY ROAD LOCATION: GATIWIN, ARAYAT, PAMPANGA	LAN ANDREI M. PINEDA ENGINEER I	RAY P. MAGASAC ENGINEER III ACTING SURVEY AND INVESTIGATION DIVISION HEAD	BRYAN Q. ALVARADO MAINTENANCE DIVISION HEAD	WILFREDO A. MANALIL ASSISTANT PROVINCIAL ENGINEER	OLIMPIO M. PANGAN PROVINCIAL ENGINEER	HON. DENNIS G. PINEDA GOVERNOR BY THE AUTHORITY OF THE GOVERNOR: ATTY. CHARLIE G. CHUA PROVINCIAL ADMINISTRATOR