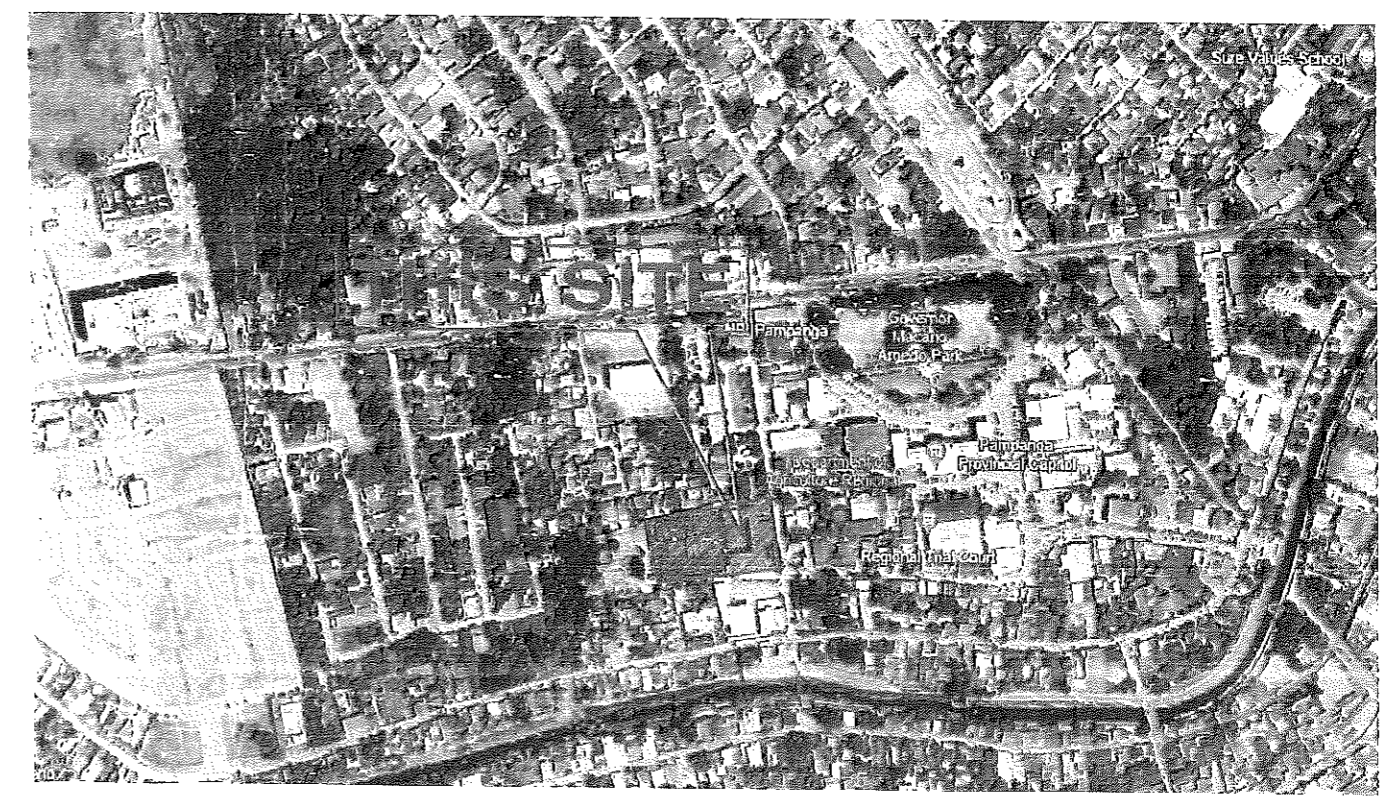
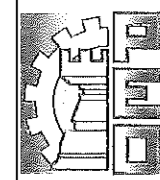
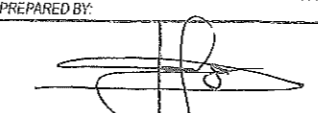
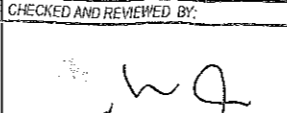
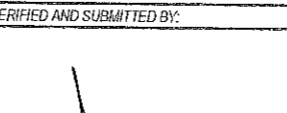

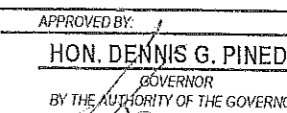
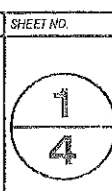
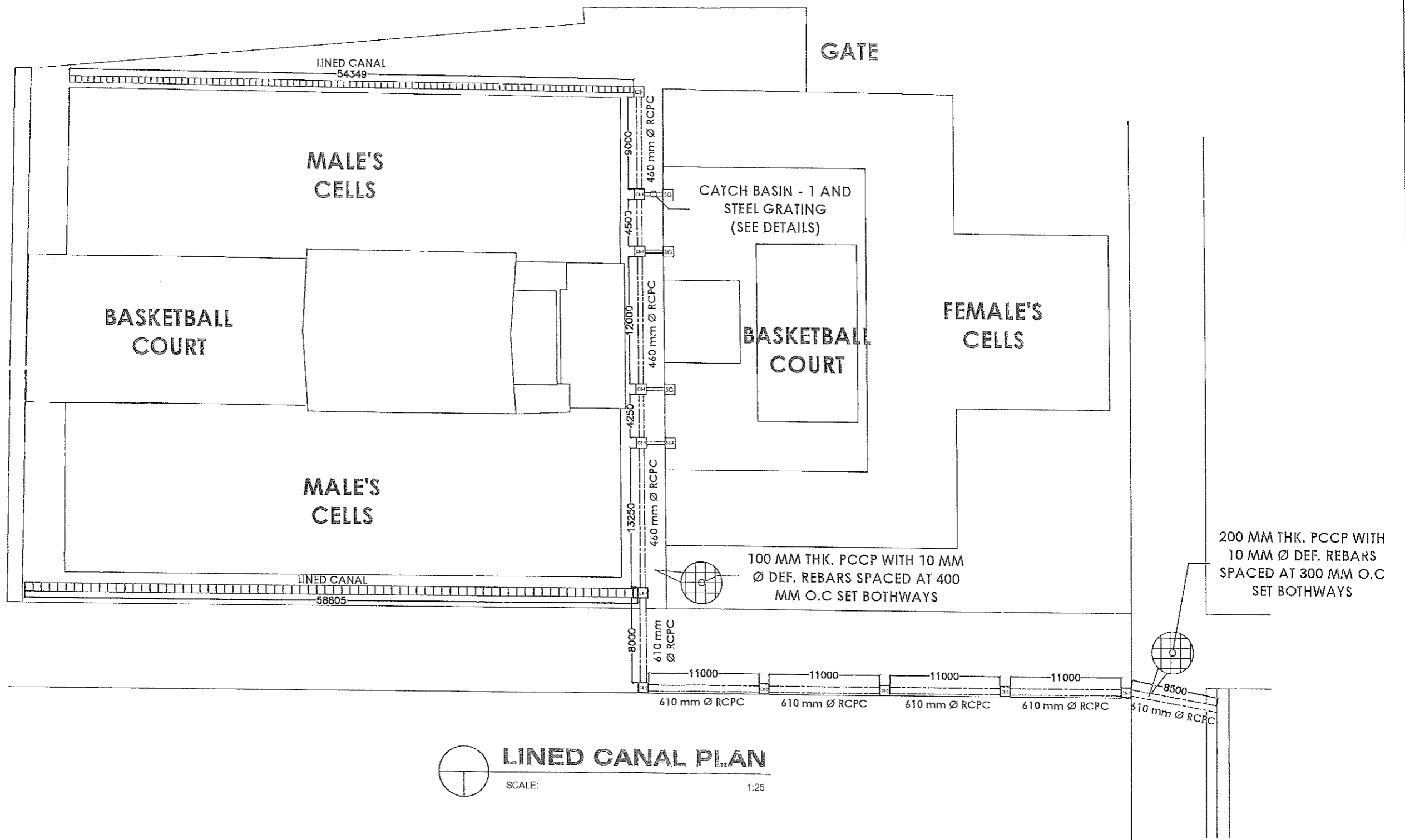


 **LOCATION MAP**
SCALE: _____ NTS

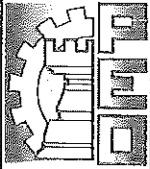

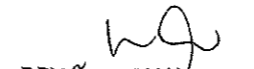


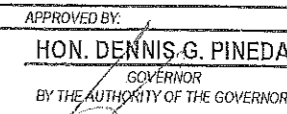



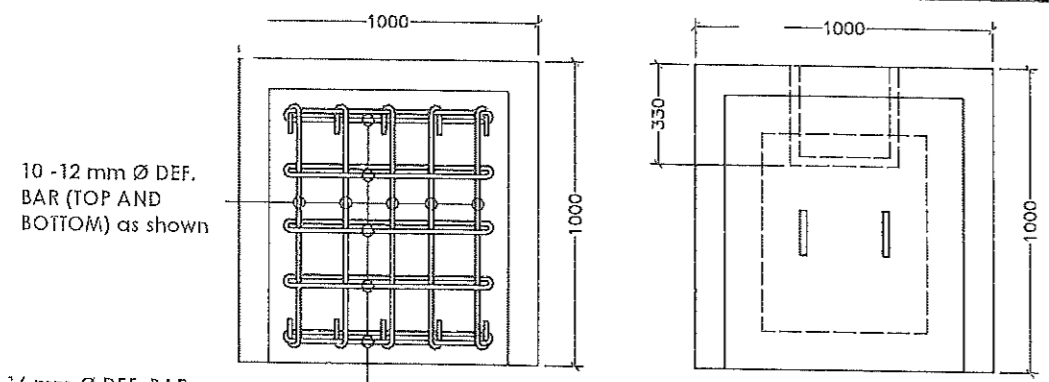
 **LOCATION MAP**
SCALE: _____ NTS

 <p>REPUBLIC OF THE PHILIPPINES PROVINCE OF PAMPANGA PROVINCIAL ENGINEER'S OFFICE CAPITOL COMPOUND, CITY OF SAN FERNANDO, (P)</p>	<p>PROJECT TITLE: CONSTRUCTION / IMPROVEMENT OF STORM DRAINAGE / LINED CANAL WITH COVER AT PROVINCIAL JAIL</p>	<p>PREPARED BY:  RALPH LOREN A. STA. CRUZ ENGINEER I</p>	<p>CHECKED AND REVIEWED BY:  BRYAN Q. ALVARADO MAINTENANCE DIVISION HEAD</p>	<p>VERIFIED AND SUBMITTED BY:  WILFREDO A. MANALILI ASSISTANT PROVINCIAL ENGINEER</p>	<p>RECOMMENDING APPROVAL:  OLIMPIO M. PANGAN PROVINCIAL ENGINEER</p>	<p>APPROVED BY: HON. DENNIS G. PINEDA GOVERNOR BY THE AUTHORITY OF THE GOVERNOR:  ATTY. CHARLIE G. CHUA PROVINCIAL ADMINISTRATOR</p>	<p>SHEET NO. </p>
	<p>LOCATION: CAPITOL COMPOUND, CITY OF SAN FERNANDO (P)</p>						

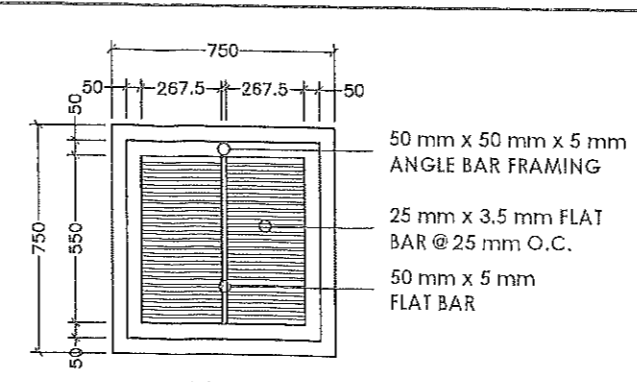


LINED CANAL PLAN
SCALE: 1:25

	REPUBLIC OF THE PHILIPPINES PROVINCE OF PAMPANGA PROVINCIAL ENGINEER'S OFFICE CAPITOL COMPOUND, CITY OF SAN FERNANDO, (P)	PROJECT TITLE: CONSTRUCTION / IMPROVEMENT OF STORM DRAINAGE / LINED CANAL WITH COVER AT PROVINCIAL JAIL	PREPARED BY:  RALPH LOREN A. STA. CRUZ ENGINEER I	CHECKED AND REVIEWED BY:  BRYAN Q. ALVARADO MAINTENANCE DIVISION HEAD	VERIFIED AND SUBMITTED BY:  WILFREDO A. MANALILI ASSISTANT PROVINCIAL ENGINEER	RECOMMENDING APPROVAL:  OLIMPIO M. PANGAN PROVINCIAL ENGINEER	APPROVED BY: HON. DENNIS G. PINEDA GOVERNOR BY THE AUTHORITY OF THE GOVERNOR:  ATTY. CHARLIE G. CHUA PROVINCIAL ADMINISTRATOR	SHEET NO. 
	LOCATION: CAPITOL COMPOUND, CITY OF SAN FERNANDO (P)							



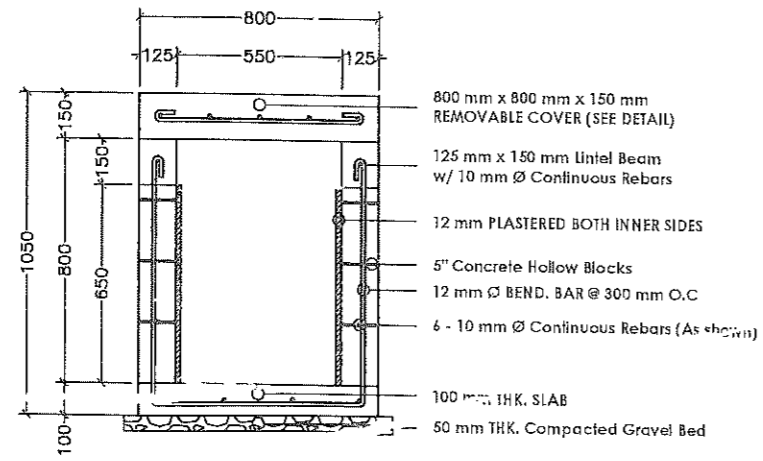
MANHOLE COVER DETAIL
SCALE: 1:25



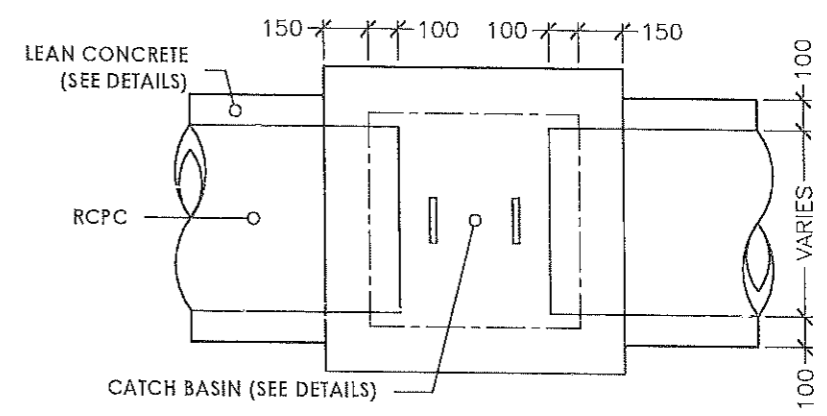
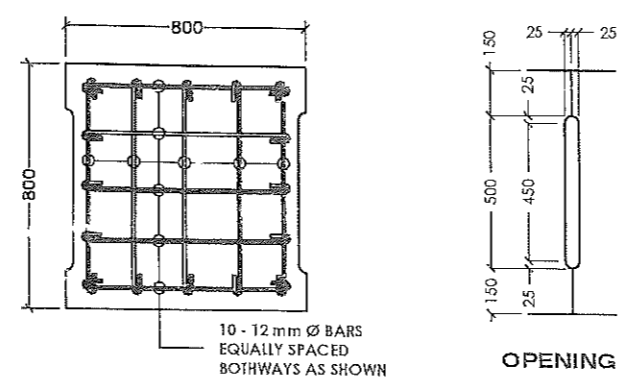
STEEL GRATING COVER
SCALE: 1:25

GENERAL NOTES:

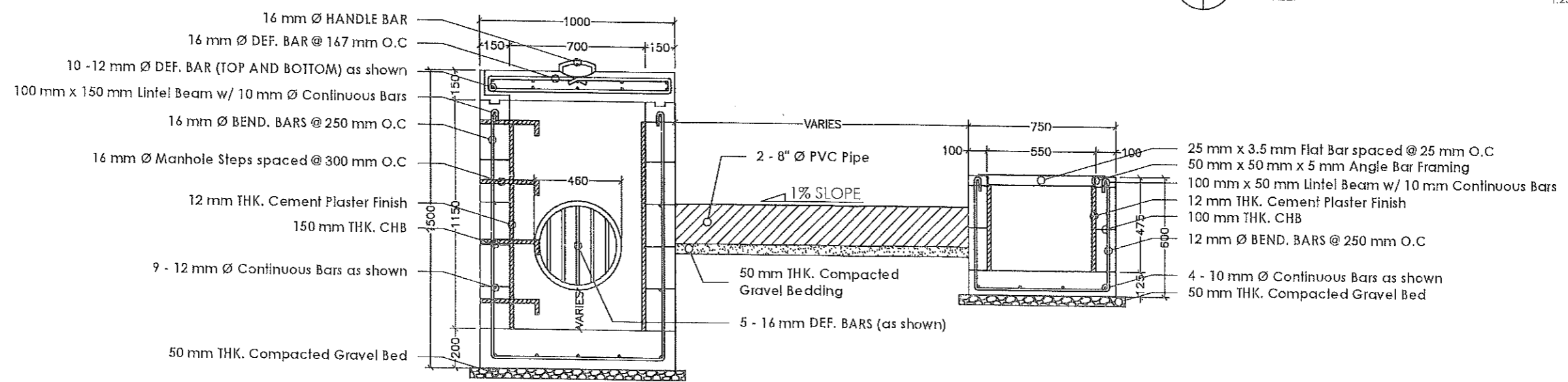
1. Coordinate the Drawing Plans, Specifications and other related materials to the Supervising Engineer / Architect for any discrepancies found prior to the execution of work.
2. Height of RCPC from Catch Basin Base and Catch Basin - 2 will be determine during actual execution of work.
3. All dimensions are in millimeters unless otherwise stated.
4. Maintain 0.5% Slope of RCPC for effective scouring of waste water.
5. Minimum Concrete Cover shall be 40 mm clear.
6. Provide 50 mm THK. Compacted Gravel Bedding
7. Concrete shall attain a compressive strength of 3500 PSI at 14 days.
8. Steel Reinforcement shall have a minimum yield strength FY = 40,000 PSI (Structural Grade)



LINED CANAL & COVER PLAN
SCALE: 1:25

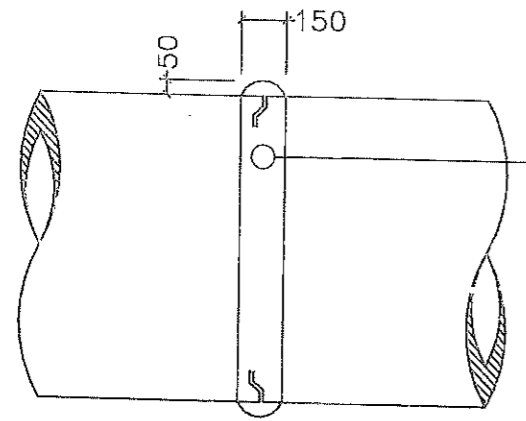


CATCH BASIN PLAN
SCALE: 1:25



CATCH BASIN-1 & CATCH BASIN-3 DETAILS
SCALE: 1:25

<p>REPUBLIC OF THE PHILIPPINES PROVINCE OF PAMPANGA PROVINCIAL ENGINEER'S OFFICE CAPITOL COMPOUND, CITY OF SAN FERNANDO, (P)</p>	PROJECT TITLE:	PREPARED BY:	CHECKED AND REVIEWED BY:	VERIFIED AND SUBMITTED BY:	RECOMMENDING APPROVAL:	APPROVED BY:	SHEET NO.
	CONSTRUCTION / IMPROVEMENT OF STORM DRAINAGE / LINED CANAL WITH COVER AT PROVINCIAL JAIL	 RALPH LOREN A. STA. CRUZ ENGINEER I	 BRYAN Q. ALVARADO MAINTENANCE DIVISION HEAD	 WILFREDO A. MANALILI ASSISTANT PROVINCIAL ENGINEER	 OLIMPIO M. PANGAN PROVINCIAL ENGINEER	HON. DENNIS G. PINEDA GOVERNOR BY THE AUTHORITY OF THE GOVERNOR: ATTY. CHARLIE G. CHUA PROVINCIAL ADMINISTRATOR	3 4
	LOCATION:	CAPITOL COMPOUND, CITY OF SAN FERNANDO (P)					

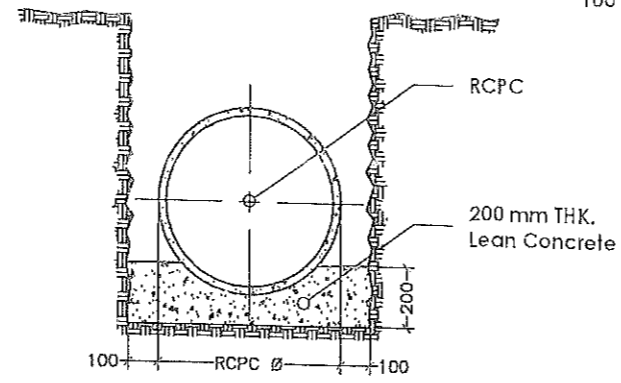


Cement Mortar

DETAIL OF PIPE COLLAR

SCALE:

1:25

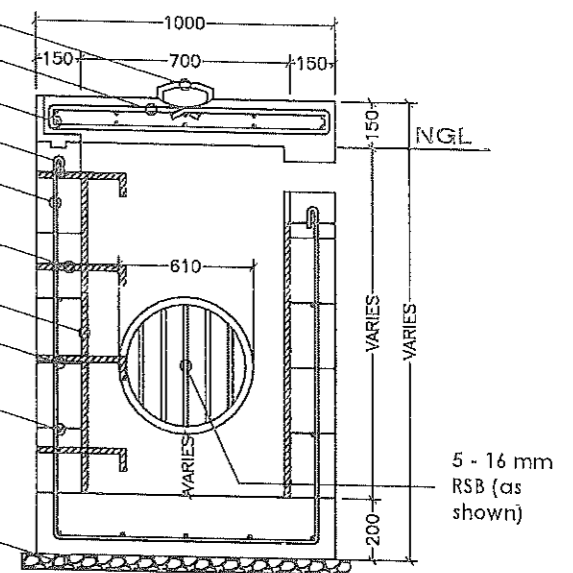


BEDDING FOR RCPC

SCALE:

1:50

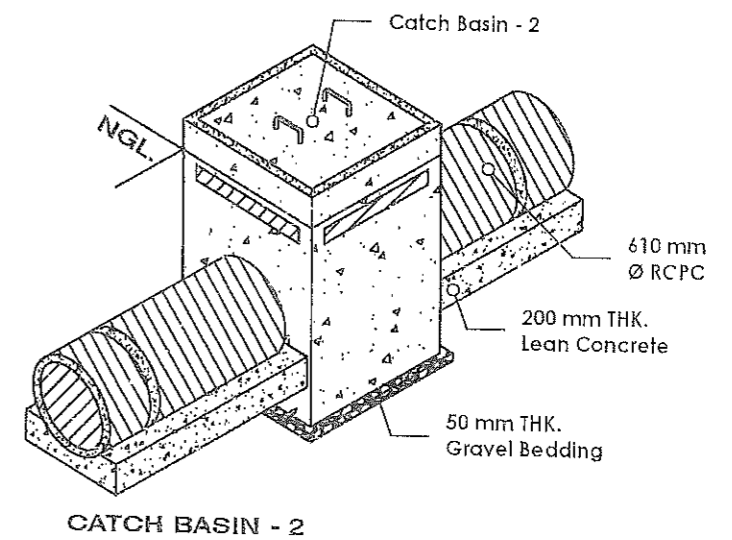
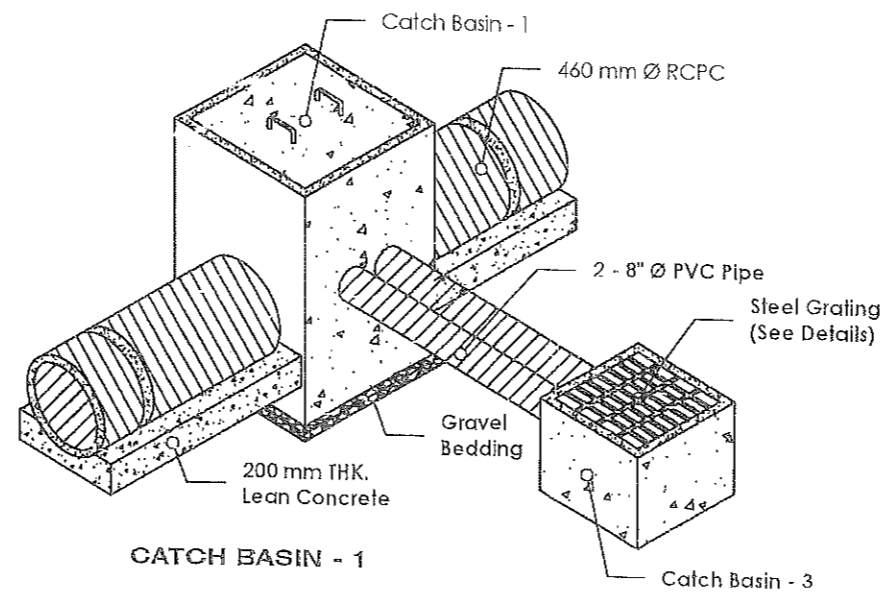
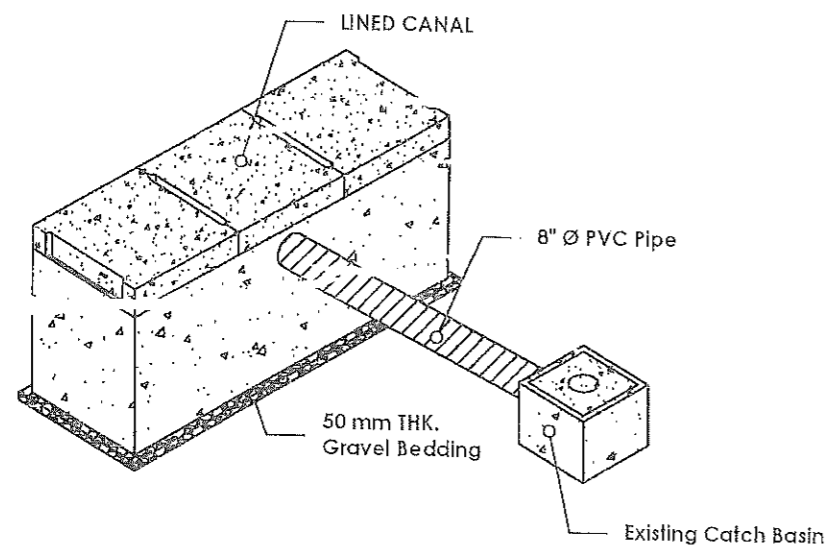
- 16 mm Ø HANDLE BAR
- 16 mm Ø DEF. BAR @ 167 mm O.C
- 10 - 12 mm Ø DEF. BAR (TOP AND BOTTOM) as shown
- 100 mm x 150 mm Lintel Beam w/ 10 mm Ø Continuous Bars
- 16 mm Ø BEND. BARS @ 250 mm O.C
- 16 mm Ø Manhole Steps spaced @ 300 mm O.C
- 12 mm THK. Cement Plaster Finish
- 150 mm THK. CHB
- 9 - 12 mm Ø Continuous Bars as shown
- 50 mm THK. Compacted Gravel Bed



CATCH BASIN - 2 DETAIL

SCALE:

1:25



ISOMETRIC PLANS

SCALE:

1:25

<p>REPUBLIC OF THE PHILIPPINES PROVINCE OF PAMPANGA PROVINCIAL ENGINEER'S OFFICE CAPITOL COMPOUND, CITY OF SAN FERNANDO, (P)</p>	PROJECT TITLE:	PREPARED BY:	CHECKED AND REVIEWED BY:	VERIFIED AND SUBMITTED BY:	RECOMMENDING APPROVAL:	APPROVED BY:	SHEET NO.
	CONSTRUCTION / IMPROVEMENT OF STORM DRAINAGE / LINED CANAL WITH COVER AT PROVINCIAL JAIL	 RALPH LOREN A. STA. CRUZ ENGINEER I	 BRYAN Q. ALVARADO MAINTENANCE DIVISION HEAD	 WILFREDO A. MANALILI ASSISTANT PROVINCIAL ENGINEER	 OLIMPIO M. PANGAN PROVINCIAL ENGINEER	HON. DENNIS G. PINEDA GOVERNOR BY THE AUTHORITY OF THE GOVERNOR: ATTY. CHARLIE G. CHUA PROVINCIAL ADMINISTRATOR	4 4
	LOCATION: CAPITOL COMPOUND, CITY OF SAN FERNANDO (P)						