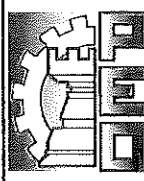


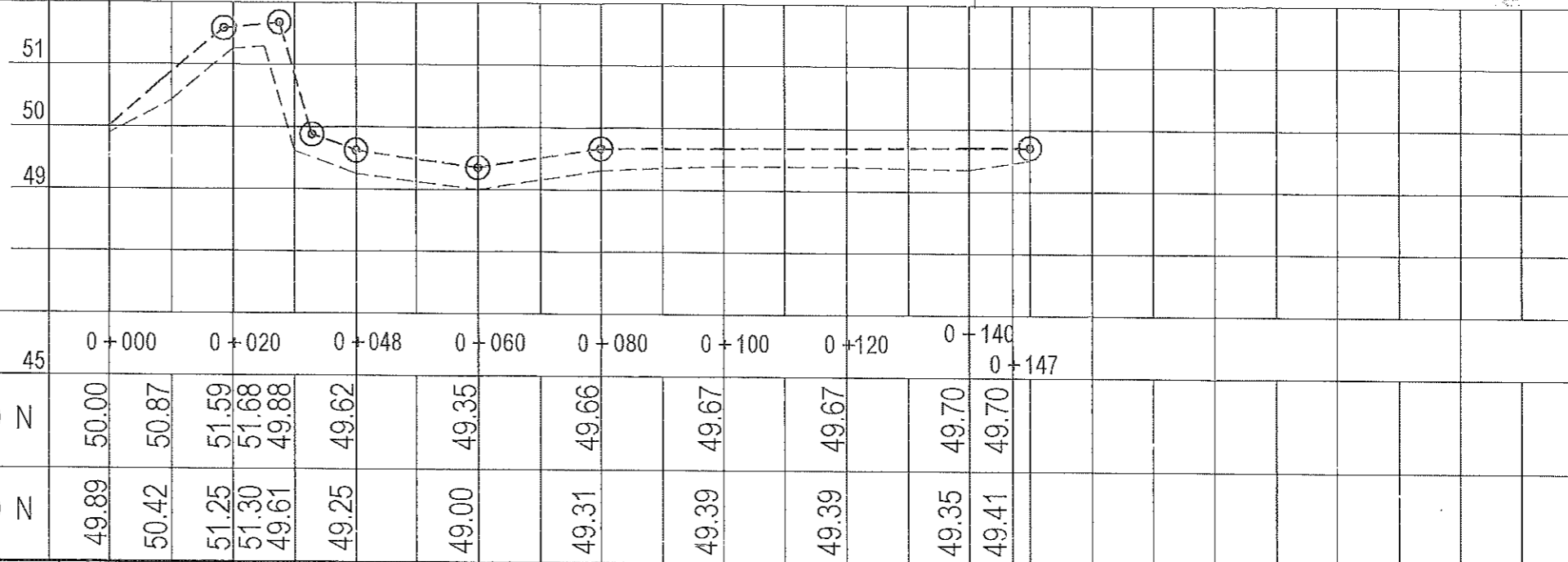


VICINITY MAP

 <p>REPUBLIC OF THE PHILIPPINES PROVINCE OF PAMPANGA</p> <p>PROVINCIAL ENGINEER'S OFFICE</p> <p>CAPITOL COMPOUND, CITY OF SAN FERNANDO, (P)</p>	PROJECT TITLE:	PREPARED BY:	CHECKED BY:	REVIEWED BY:	VERIFIED AND SUBMITTED BY:	RECOMMENDING APPROVAL:	APPROVED BY:	SHEET CONTENT:	SHEET NO:	
	IMPROVEMENT / CONCRETING OF PATHWAY/BARANGAY ROAD	MA. LYSSETTE C. TIMBOL ENGINEERING ASSISTANT	RUSSELL BERNANDEZ ENGINEER IV CONSTRUCTION DIVISION HEAD	RAYZ MARASIG ENGINEER III SURVEY AND INVESTIGATION SECTION	MARLEDO A. MANALLI ASSISTANT PROVINCIAL ENGINEER	OLIMPIO M. BANGAN PROVINCIAL ENGINEER	HON. DENNIS G. PINEDA GOVERNOR BY THE AUTHORITY OF THE GOVERNOR:	ATY. CHARLIE G. CHUA PROVINCIAL ADMINISTRATOR	AS SHOWN	01 05
	LOCATION: SAN MATEO, ARAYAT, PAMPANGA	CAD BY: EDGAR G. LAPEÑA								

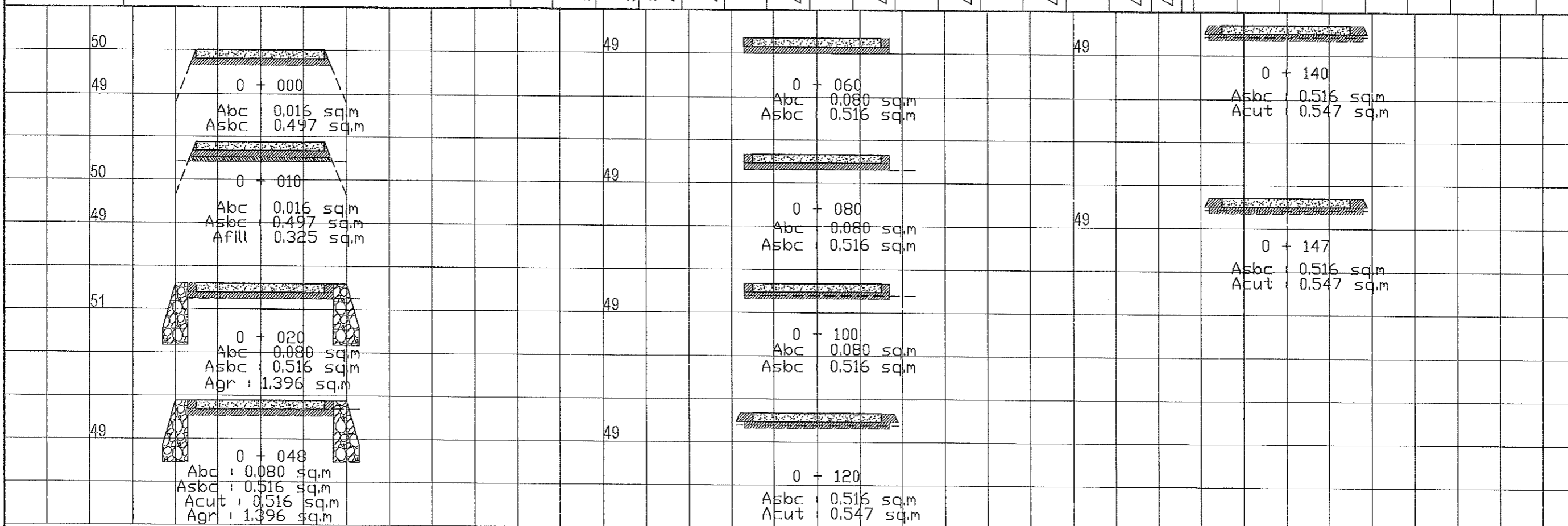
START OF ROAD 2

NOTE: 0.200m THK PCCP
0.200m THK AGGREGATE BASE COURSE
0.150m THK AGGREGATE SUBBASE COURSE

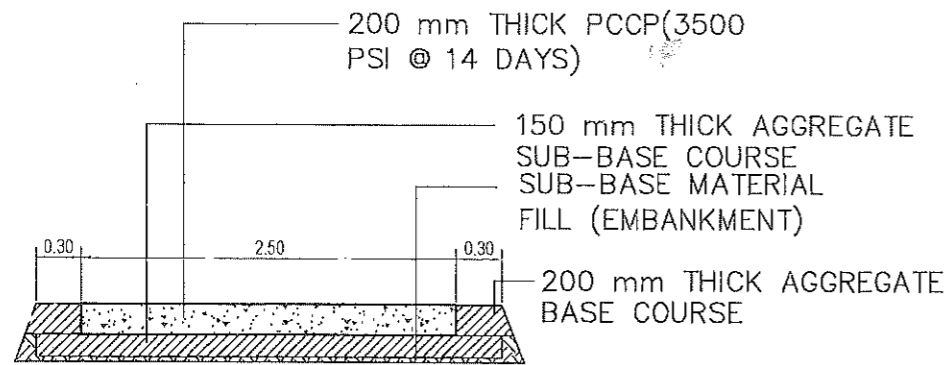


FINISHED ELEVATION

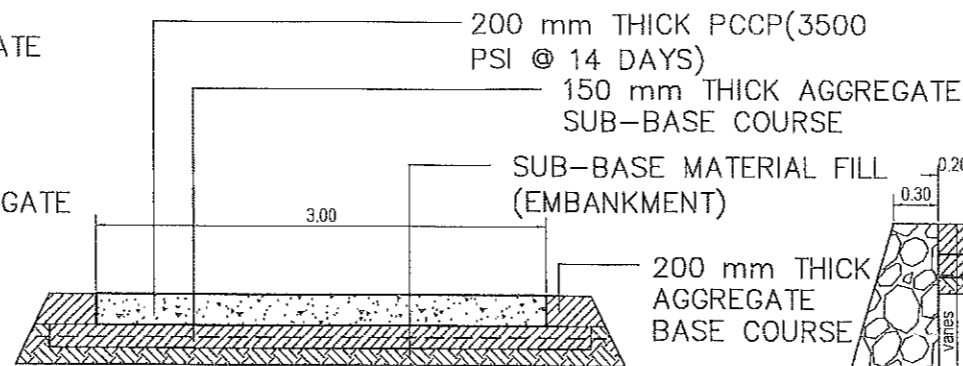
EXISTING ELEVATION



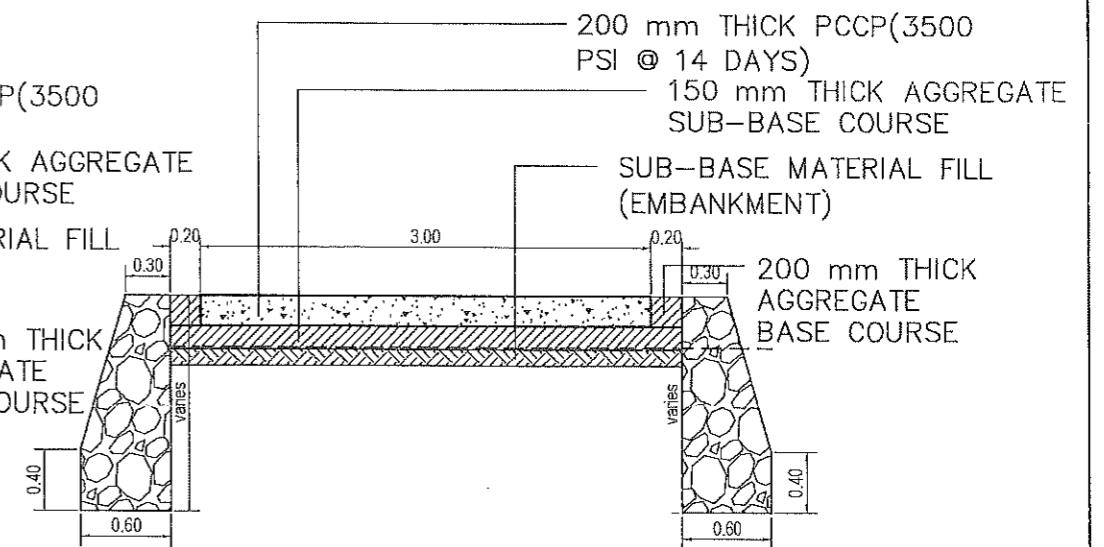
<p>REPUBLIC OF THE PHILIPPINES PROVINCE OF PAMPANGA PROVINCIAL ENGINEER'S OFFICE CAPITOL COMPOUND, CITY OF SAN FERNANDO, (P)</p>	PROJECT TITLE:	PREPARED BY:	CHECKED BY:	REVIEWED BY:	VERIFIED AND SUBMITTED BY:	RECOMMENDING APPROVAL:	APPROVED BY:	SHEET CONTENT:	SHEET NO.:	
	IMPROVEMENT / CONCRETING OF PATHWAY/BARANGAY ROAD	MA. LYSSETH C. TIMBOL ENGINEERING ASSISTANT	RUSSEL D. HERNANDEZ ENGINEER IV CONSTRUCTION DIVISION HEAD	RAY MACASPAC ENGINEER III SURVEY AND INVESTIGATION SECTION	WILFREDO A. MANALIL ASSISTANT PROVINCIAL ENGINEER	OLIMPIO M. PANGAN PROVINCIAL ENGINEER	HON. DENNIS G. PINEDA GOVERNOR BY THE AUTHORITY OF THE GOVERNOR:	APTY. CHARLIE G. CHUA PROVINCIAL ADMINISTRATOR	AS SHOWN	03 07
	LOCATION:	CAD BY:								
	SAN MATEO, ARAYAT, PAMPANGA	EDGAR G. LACOR								



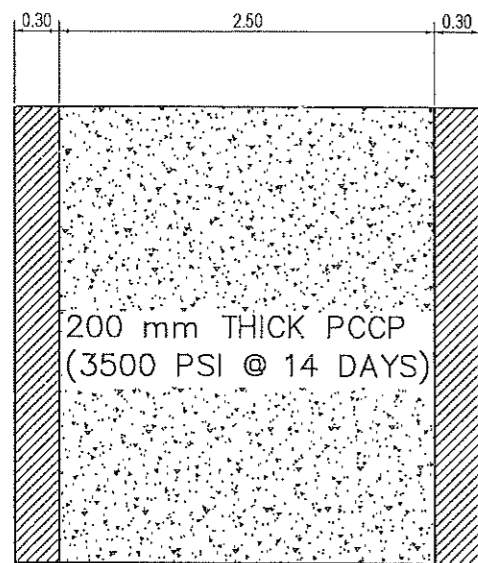
TYPICAL SECTION OF ROAD 1



TYPICAL SECTION OF ROAD 2

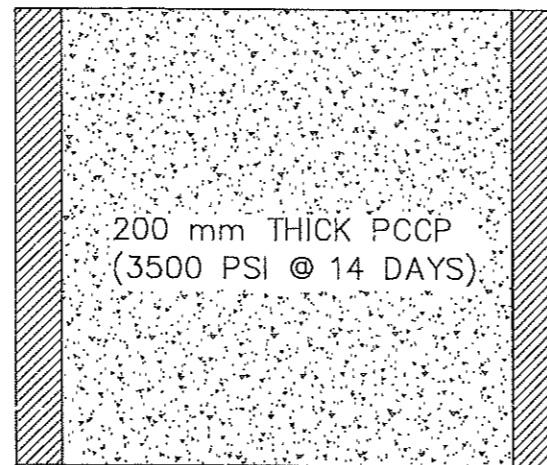


TYPICAL SECTION OF ROAD 2



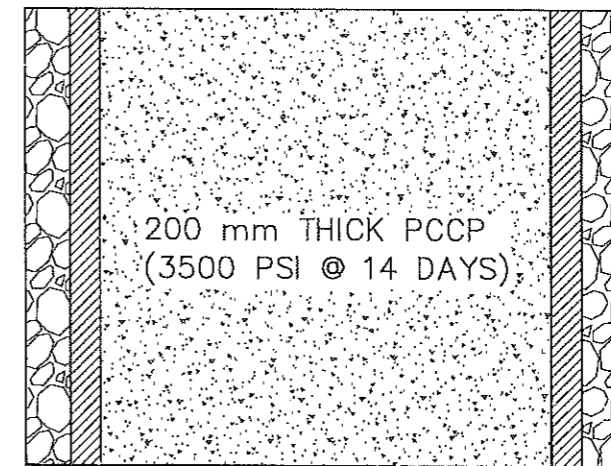
TYPICAL PLAN OF ROAD 1

SCALE: 1 : 50m



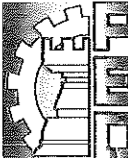
TYPICAL PLAN OF ROAD 2

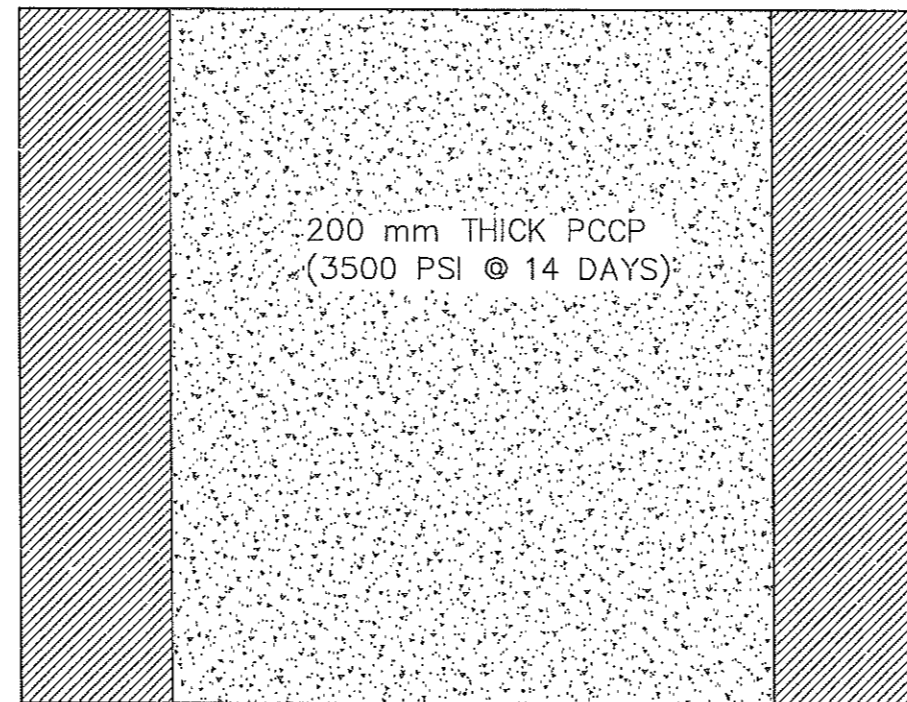
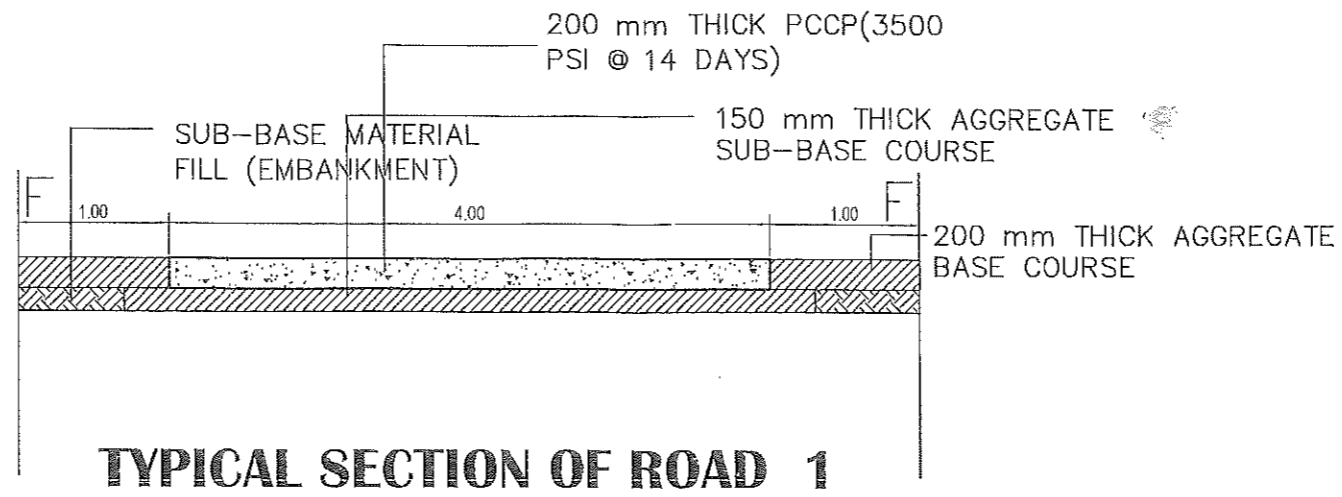
SCALE: 1 : 50m



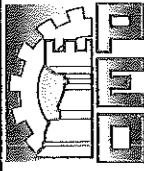
TYPICAL PLAN OF ROAD 2

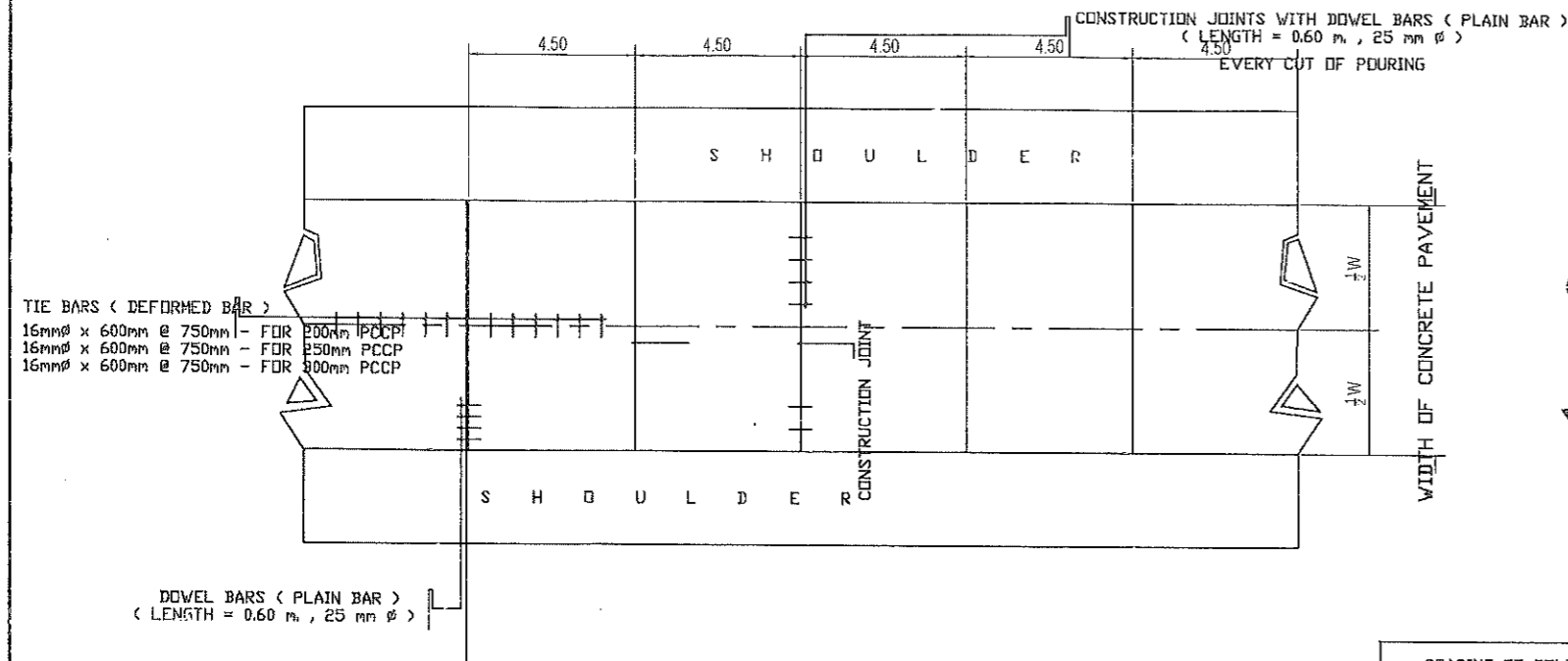
SCALE: 1 : 50m

 <p>REPUBLIC OF THE PHILIPPINES PROVINCE OF PAMPANGA</p> <p>PROVINCIAL ENGINEER'S OFFICE</p> <p>CAPITOL COMPOUND, CITY OF SAN FERNANDO, (P)</p>	PROJECT TITLE:	PREPARED BY:	CHECKED BY:	VERIFIED AND SUBMITTED BY:	RECOMMENDING APPROVAL:	APPROVED BY:	SHEET CONTENT:	SHEET NO.:
	IMPROVEMENT / CONCRETING OF PATHWAY/BARANGAY ROAD	MA. LYSSE H.C. TIMBOL ENGINEERING ASSISTANT	RUSSEL L. FERNANDEZ ENGINEER IN CHARGE CONSTRUCTION DIVISION HEAD	MARCELO A. MANALIT ASSISTANT PROVINCIAL ENGINEER	OLIMPIO M. PANGAN PROVINCIAL ENGINEER	HON. DENNIS G. PINEDA GOVERNOR BY THE AUTHORITY OF THE GOVERNOR:	ATTY. CHARLES G. CHUA PROVINCIAL ADMINISTRATOR	AS SHOWN
	LOCATION:	CAD BY:						
	SATI MATEO, ARAYAT, PAMPANGA	EDGAR G. LACAN						



SCALE: 1 : 50m

 <p>REPUBLIC OF THE PHILIPPINES PROVINCE OF PAMPANGA</p> <p>PROVINCIAL ENGINEER'S OFFICE</p> <p>CAPITOL COMPOUND, CITY OF SAN FERNANDO, (P)</p>	PROJECT TITLE:	PREPARED BY:	CHECKED BY:	VERIFIED AND SUBMITTED BY:	RECOMMENDING APPROVAL:	APPROVED BY:	SHEET CONTENT:	SHEET NO.:
	IMPROVEMENT / CONCRETING OF PATHWAY/BARANGAY ROAD	MA. LYSSE H.C. TIMBOL ENGINEERING ASSISTANT	RUSSEL L. HERNANDEZ ENGINEER IV CONSTRUCTION DIVISION HEAD	WILFREDO A. MANALILI ASSISTANT PROVINCIAL ENGINEER	OLIMPIO M. PANGAN PROVINCIAL ENGINEER	HON. DENNIS G. PINEDA GOVERNOR BY THE AUTHORITY OF THE GOVERNOR:	ATTY. CHARLIE O. CHUA PROVINCIAL ADMINISTRATOR	AS SHOWN
	LOCATION: SAIL MATEO, APAYAT, PAMPANGA	CAD BY: EDGAR G. LAGUNA						

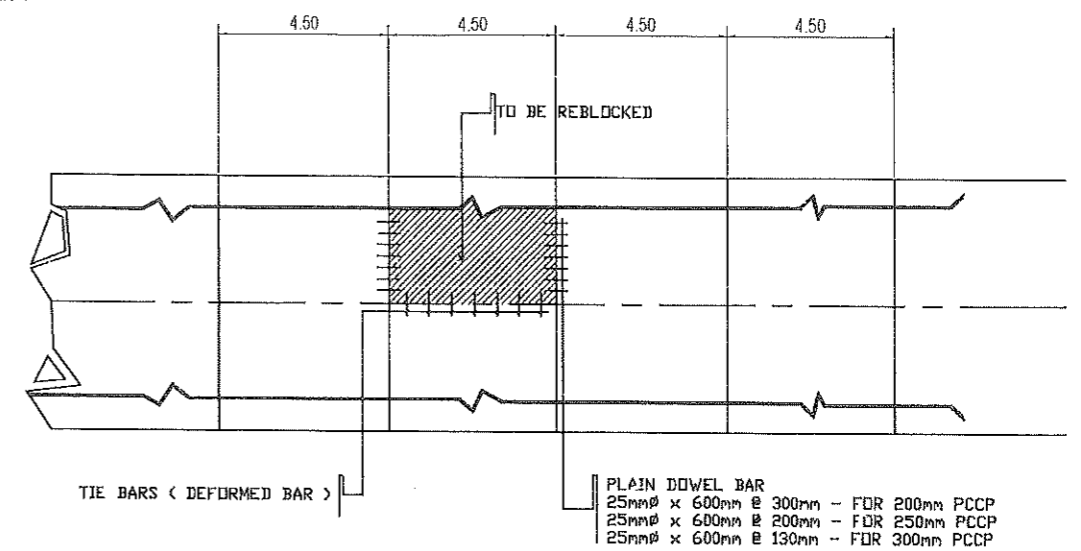


TIE BARS (DEFORMED BAR)
 16mm ϕ x 600mm @ 750mm - FOR 200mm PCCP
 16mm ϕ x 600mm @ 750mm - FOR 250mm PCCP
 16mm ϕ x 600mm @ 750mm - FOR 300mm PCCP

DOWEL BARS (PLAIN BAR)
 (LENGTH = 0.60 m , 25 mm ϕ)

PAVEMENT LAYOUT PLAN

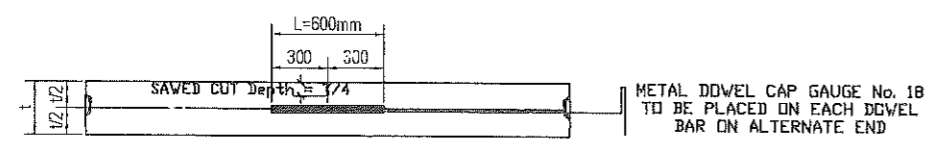
SCALE 1:200m



PLAIN DOWEL BAR
 25mm ϕ x 600mm @ 300mm - FOR 200mm PCCP
 25mm ϕ x 600mm @ 200mm - FOR 250mm PCCP
 25mm ϕ x 600mm @ 130mm - FOR 300mm PCCP

PLAN

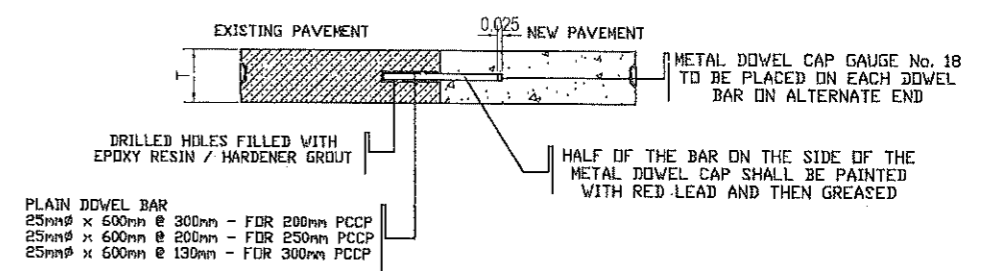
SCALE 1:100m



CONSTRUCTION JOINT SECTION

SPACING OF DOWEL BAR (Diameter 25mm/Length=600mm)	
SLAB DEPTH, (T) (mm)	SPACING (mm)
200	300
250	200
300	130

SPACING OF TIE BARS (Diameter 16 mm/Length=600 mm)	
SLAB DEPTH, (T) (mm)	SPACING (mm)
200	750
250	750
300	750



PLAIN DOWEL BAR
 25mm ϕ x 600mm @ 300mm - FOR 200mm PCCP
 25mm ϕ x 600mm @ 200mm - FOR 250mm PCCP
 25mm ϕ x 600mm @ 130mm - FOR 300mm PCCP

DETAIL OF EXPANSION JOINT (DOWELLED) AT CERTAIN INTERSECTION & STRUCTURES

SECTION

SCALE 1:40m



PLAIN DOWEL BAR
 25mm ϕ x 600mm @ 300mm - FOR 200mm PCCP
 25mm ϕ x 600mm @ 200mm - FOR 250mm PCCP
 25mm ϕ x 600mm @ 130mm - FOR 300mm PCCP

ELEVATION

SCALE 1:20m

<p>REPUBLIC OF THE PHILIPPINES PROVINCE OF PAMPANGA PROVINCIAL ENGINEER'S OFFICE CAPITOL COMPOUND, CITY OF SAN FERNANDO, (P)</p>	PROJECT TITLE:	PREPARED BY:	CHECKED BY:	VERIFIED AND SUBMITTED BY:	RECOMMENDING APPROVAL:	APPROVED BY:	SHEET CONTENT:	SHEET NO.:
	IMPROVEMENT / CONCRETING OF PATHWAY/BARANGAY ROAD	MA. LYSSETH C. TIMBOL ENGINEERING ASSISTANT	RUSSEL L. FERNANDEZ ENGINEER IN CHARGE	WILFREDO A. MANAHLIT ASSISTANT PROVINCIAL ENGINEER	OLIMPIO M. PANGAN PROVINCIAL ENGINEER	HON. BENJIS G. PINEDA GOVERNOR OF PAMPANGA BY THE AUTHORITY OF THE GOVERNOR:	ATTY. CHARLES G. CHUA PROVINCIAL ADMINISTRATOR	AS SHOWN
	LOCATION:	CAD BY:						
	SAN MATEO, ARAYAL, PAMPANGA	EDGAR G. LACAP						