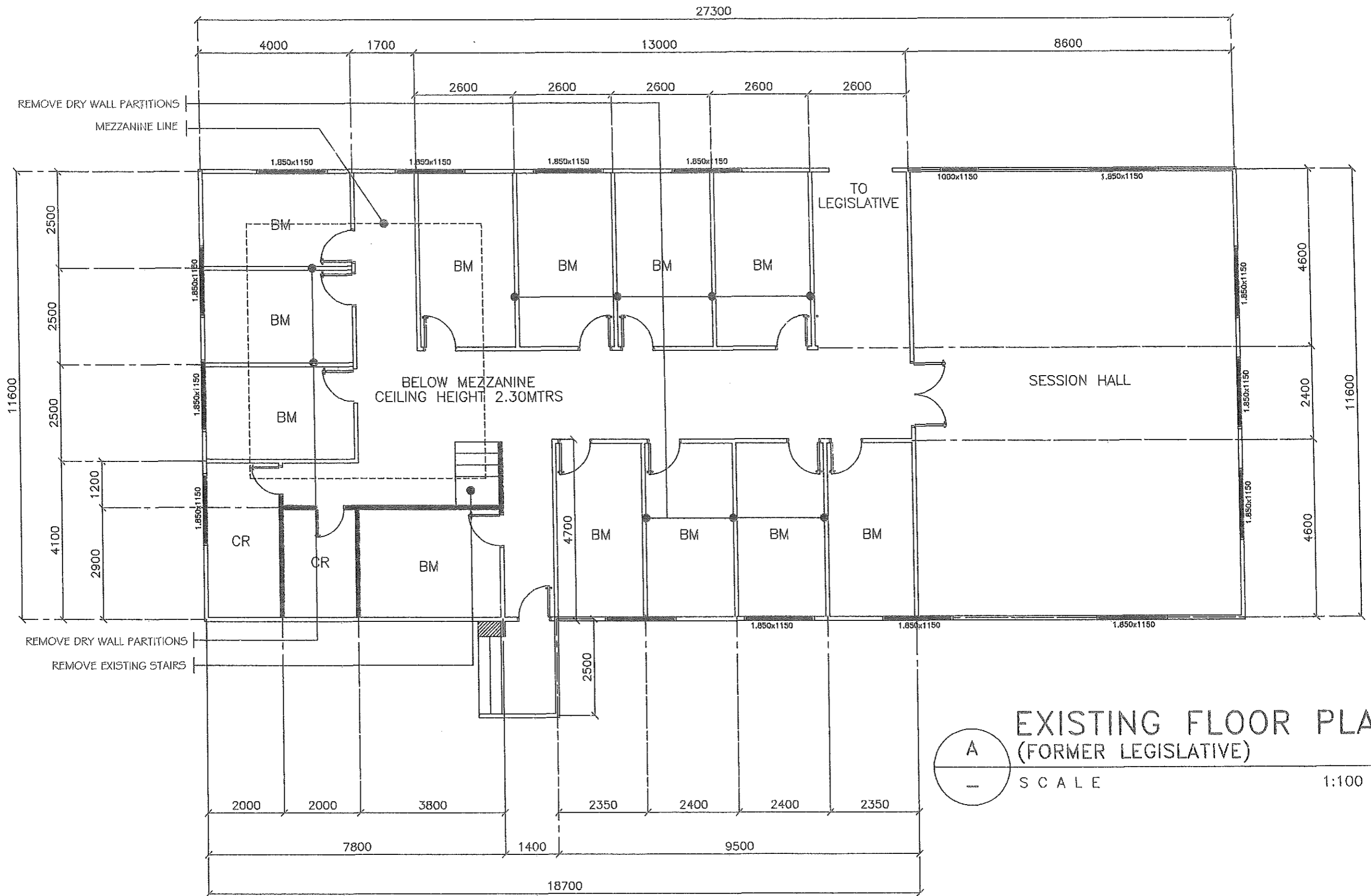




A
INTERIOR PERSPECTIVE
 (FORMER LEGISLATIVE)

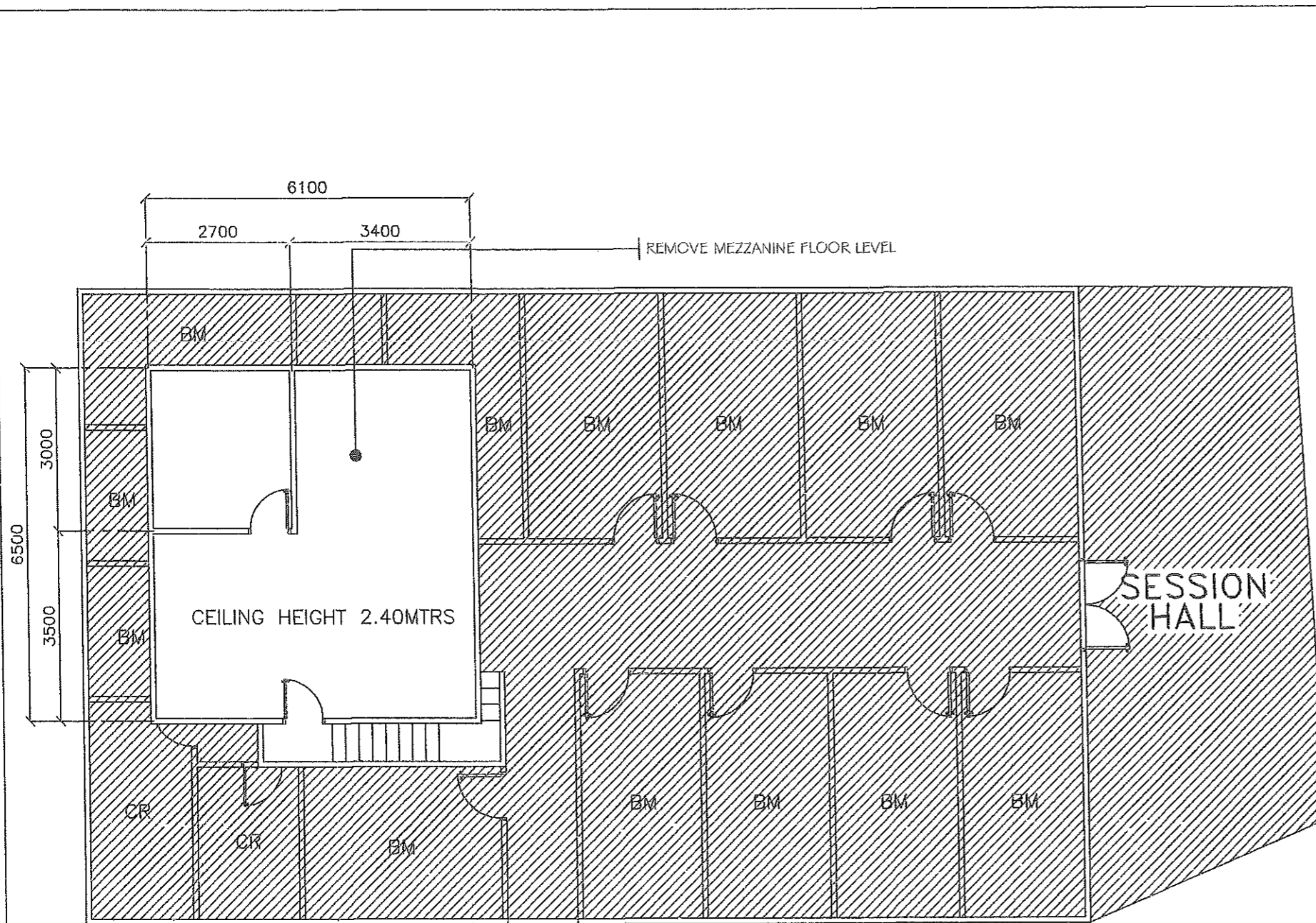
—
 SCALE NTS

FROM THE OFFICE OF: REPUBLIC OF THE PHILIPPINES PROVINCE OF PAMPANGA PROVINCIAL ENGINEER'S OFFICE CAPITOL COMPOUND, CITY OF SAN FERNANDO, (P)	PROJECT TITLE: RENOVATION / IMPROVEMENT OF FORMERLY LEGISLATIVE OFFICES & SESSION HALL AT CAPITOL BUILDING LOCATION: CAPITOL COMPOUND, STO. NIÑO, CSFP	PREPARED BY: SHEELAH MARIE M. MIRANDA ENGINEER II CADD BY: ARCH. RALPH BASCUAL	CHECKED BY: RUSSELL L. HERNANDEZ CONSTRUCTION DIVISION HEAD	VERIFIED & SUBMITTED BY: WILFREDO A. MANALILI ASSISTANT PROVINCIAL ENGINEER	RECOMMENDATION'S APPROVAL: OLIMPIO M. PANGAN PROVINCIAL ENGINEER	APPROVED BY: HON. DENNIS G. PINEDA <small>Governor</small> <small>By the Authority of the Governor:</small> ATTY. CHARLIE G. CHUA PROVINCIAL ADMINISTRATOR	SHEET CONTENTS: AS SHOWN	SHEET NO.: A-1 <hr style="width: 100%;"/> 1 / 16
--	--	---	---	---	--	---	--------------------------------	--

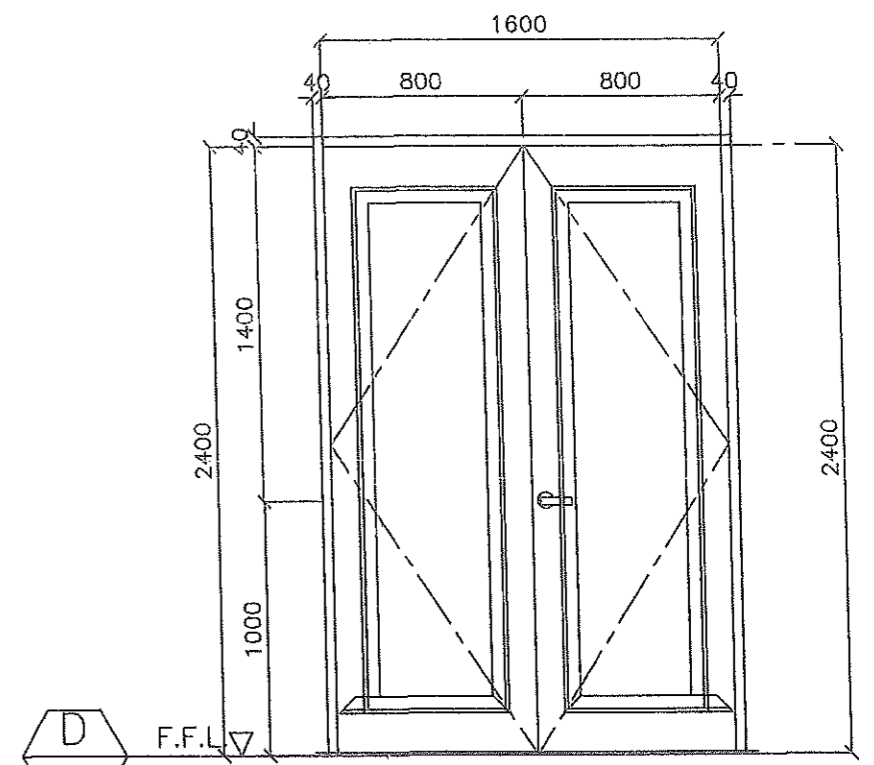


A
EXISTING FLOOR PLAN
 (FORMER LEGISLATIVE)
 SCALE 1:100 MTS.

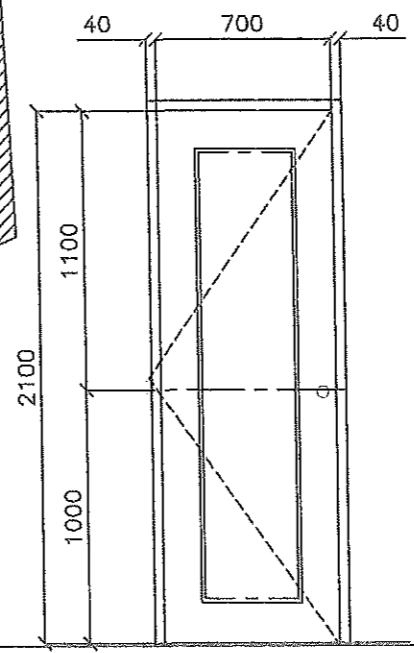
FROM THE OFFICE OF: REPUBLIC OF THE PHILIPPINES PROVINCE OF PAMPANGA PROVINCIAL ENGINEER'S OFFICE CAPITOL COMPOUND, CITY OF SAN FERNANDO, (IP)	PROJECT TITLE: RENOVATION / IMPROVEMENT OF FORMERLY LEGISLATIVE OFFICES & SESSION HALL AT CAPITOL BUILDING LOCATION: CAPITOL COMPOUND, STG. NRRO, CSFP	PREPARED BY: SHEELAH MARIE M. MIRANDA ENGINEER II CADD BY: ARCH. RALPH PASCUAL	CHECKED BY: RUSSELL L. HERNANDEZ CONSTRUCTION DIVISION HEAD	VERIFIED & SUBMITTED BY: WILFREDO A. MANALILI ASSISTANT PROVINCIAL ENGINEER	RECOMMENDING APPROVAL: OLIMPIO M. FANGAN PROVINCIAL ENGINEER	APPROVED BY: HON. DENNIS G. PINEDA <small>Governor By the Authority of the Governor.</small> ATTY. CHARLIE G. CHUA PROVINCIAL ADMINISTRATOR	SHEET CONTENTS: AS SHOWN	SHEET NO.: A-2 <hr/> 2 / 16
---	--	--	--	--	---	---	---	---



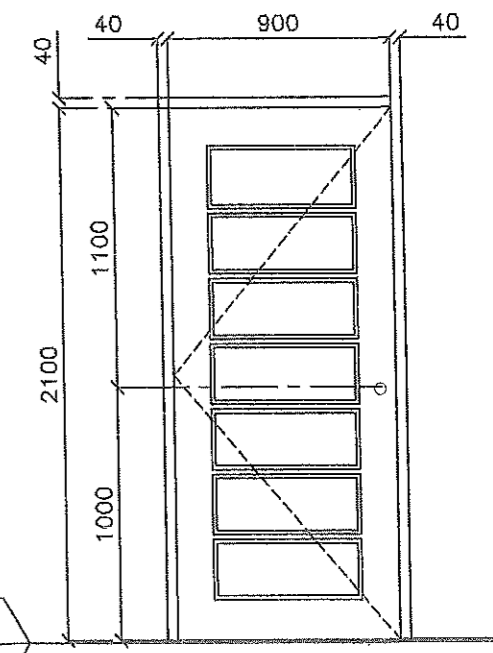
MEZZANINE FLOOR PLAN
(FORMER LEGISLATIVE)
SCALE 1:100 MTS.



D 1
TYPE : SOLID WOOD DOUBLE LEAF
PANEL DOOR ON 2" X 5"
GALVANIZED DOOR JAMB
REQUIRED : TWO (2) SETS
ACCESSORIES : LOCKSET, 8 PIECES HINGES



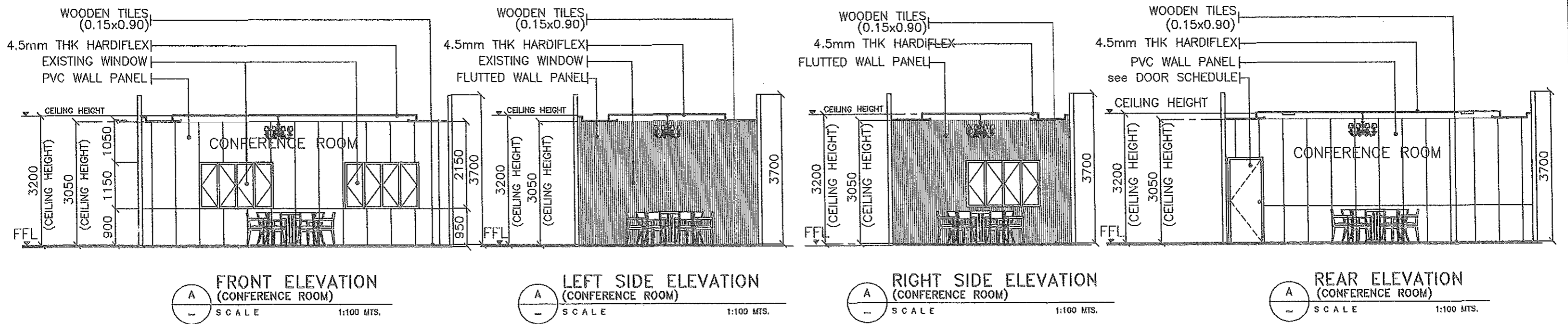
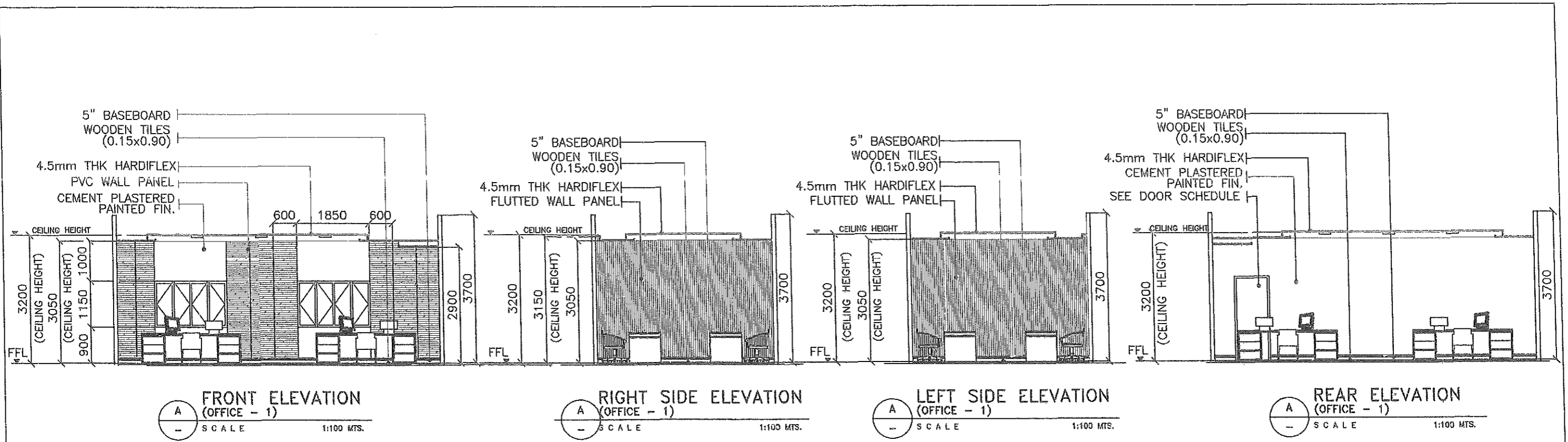
D 2
TYPE : FLUSH DOOR ON 2" X 5"
GALVANIZED DOOR JAMB
REQUIRED : THREE (3) SETS
ACCESSORIES : LOCKSET, 3 PIECES HINGES



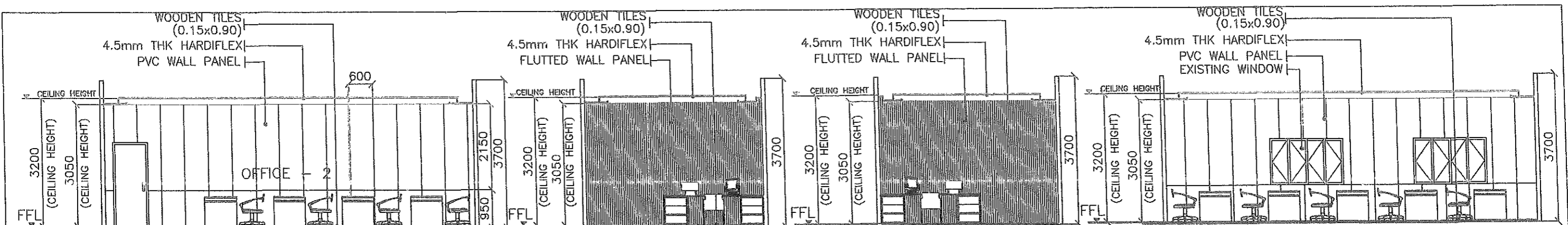
D 3
TYPE : SOLID WOOD SINGLE LEAF
PANEL DOOR ON 2" X 5"
GALVANIZED DOOR JAMB
REQUIRED : FIVE (5) SETS
ACCESSORIES : LOCKSET, 4 PIECES HINGES

SCHEDULE OF DOORS
(FORMER LEGISLATIVE)
SCALE 1:100 MTS.

FROM THE OFFICE OF: REPUBLIC OF THE PHILIPPINES PROVINCE OF PAMPANGA PROVINCIAL ENGINEER'S OFFICE CAPITOL COMPOUND, CITY OF SAN FERNANDO, (P)	PROJECT TITLE: RENOVATION / IMPROVEMENT OF FORMERLY LEGISLATIVE OFFICES & SESSION HALL AT CAPITOL BUILDING LOCATION: CAPITOL COMPOUND, STO. NINYO, CSFP	PREPARED BY: SHEELAH MARIE M. MIRANDA ENGINEER II CADD BY: ARCH. RALPH PASCUAL	CHECKED BY: RUSSET L. HERNANDEZ CONSTRUCTION DIVISION HEAD	VERIFIED & SUBMITTED BY: WILFREDO A. MANALILI ASSISTANT PROVINCIAL ENGINEER	RECOMMENDING APPROVAL: OLIMPIO M. PANGAN PROVINCIAL ENGINEER	APPROVED BY: HON. DENNIS G. PINEDA Governor By the Authority of the Governor ATTY. CHARLIE G. CHUA PROVINCIAL ADMINISTRATOR	SHEET CONTENTS: AS SHOWN	SHEET NO.: A-3 3 / 16
--	---	--	---	--	---	--	------------------------------------	---



FROM THE OFFICE OF: REPUBLIC OF THE PHILIPPINES PROVINCE OF PAMPANGA PROVINCIAL ENGINEER'S OFFICE CAPITOL COMPOUND, CITY OF SAN FERNANDO, (P)	PROJECT TITLE: RENOVATION / IMPROVEMENT OF FORMERLY LEGISLATIVE OFFICES & SESSION HALL AT CAPITOL BUILDING LOCATION: CAPITOL COMPOUND, STO. NIÑO, CSF	PREPARED BY: <i>SHEELAH MARIE M. MIRANDA</i> ENGINEER II CADD BY: ARCH. GALEN PASCUAL	CHECKED BY: <i>RUSSEL L. HERNANDEZ</i> CONSTRUCTION DIVISION HEAD	VERIFIED & SUBMITTED BY: <i>WILFREDO A. MANALILI</i> ASSISTANT PROVINCIAL ENGINEER	RECOMMENDING APPROVAL: <i>OLIMPIO M. PANGAN</i> PROVINCIAL ENGINEER	APPROVED BY: HON. DENNIS G. PINEDA Governor By the Authority of the Governor: <i>ATTY. CHARLIE G. CHUA</i> PROVINCIAL ADMINISTRATOR	SHEET CONTENTS: AS SHOWN	SHEET NO.: A-6 6 / 16
--	--	--	---	--	---	--	-----------------------------	-----------------------------

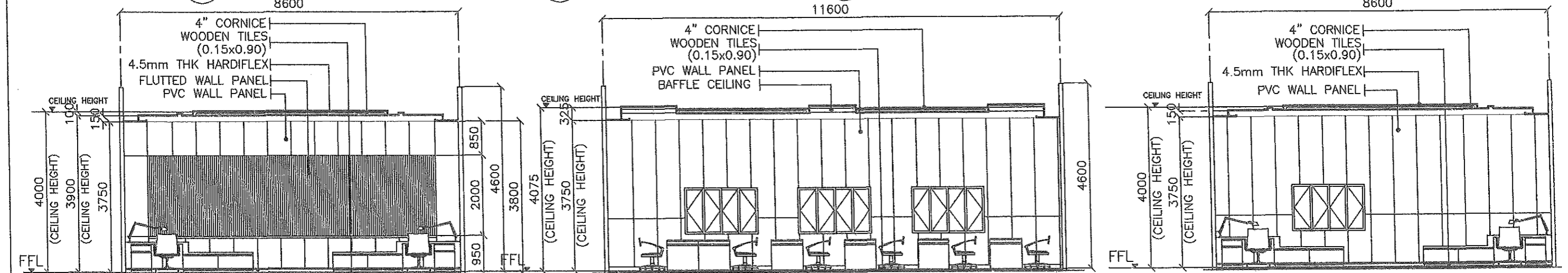


FRONT ELEVATION (OFFICE 2)
SCALE 1:100 MTS.

RIGHT SIDE ELEVATION (OFFICE 2)
SCALE 1:100 MTS.

LEFT SIDE ELEVATION (OFFICE 2)
SCALE 1:100 MTS.

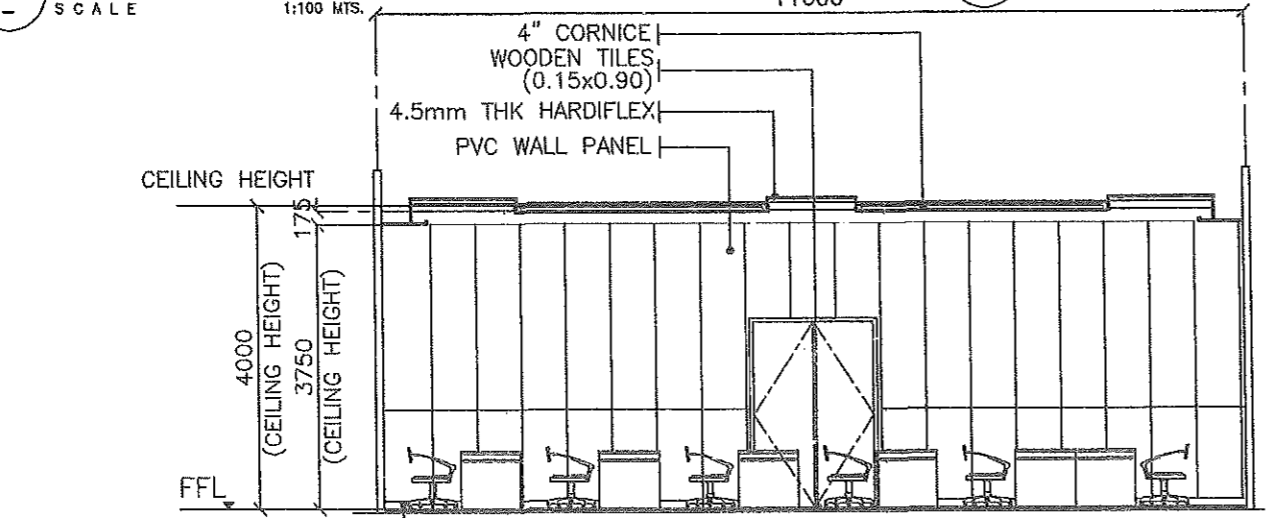
REAR ELEVATION (OFFICE 2)
SCALE 1:100 MTS.



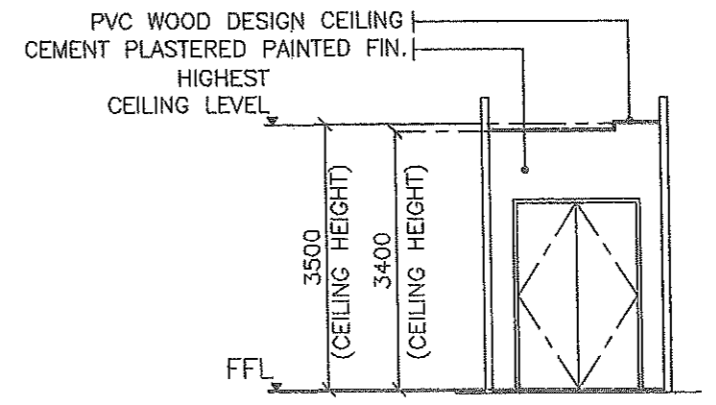
FRONT ELEVATION (SESSION HALL)
SCALE 1:100 MTS.

RIGHT SIDE ELEVATION (SESSION HALL)
SCALE 1:100 MTS.


REAR ELEVATION (SESSION HALL)
SCALE 1:100 MTS.

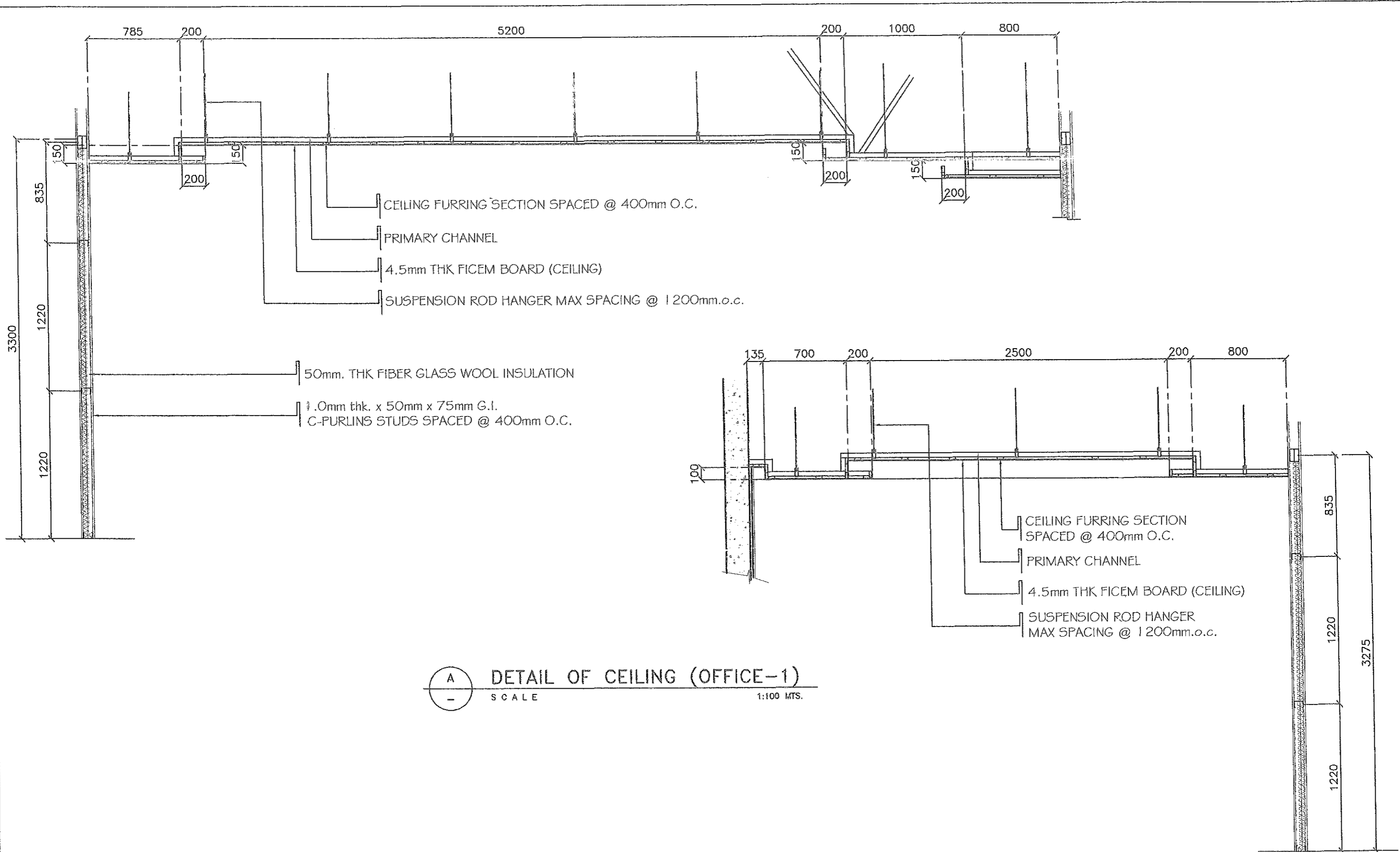


LEFT SIDE ELEVATION (SESSION HALL)
SCALE 1:100 MTS.



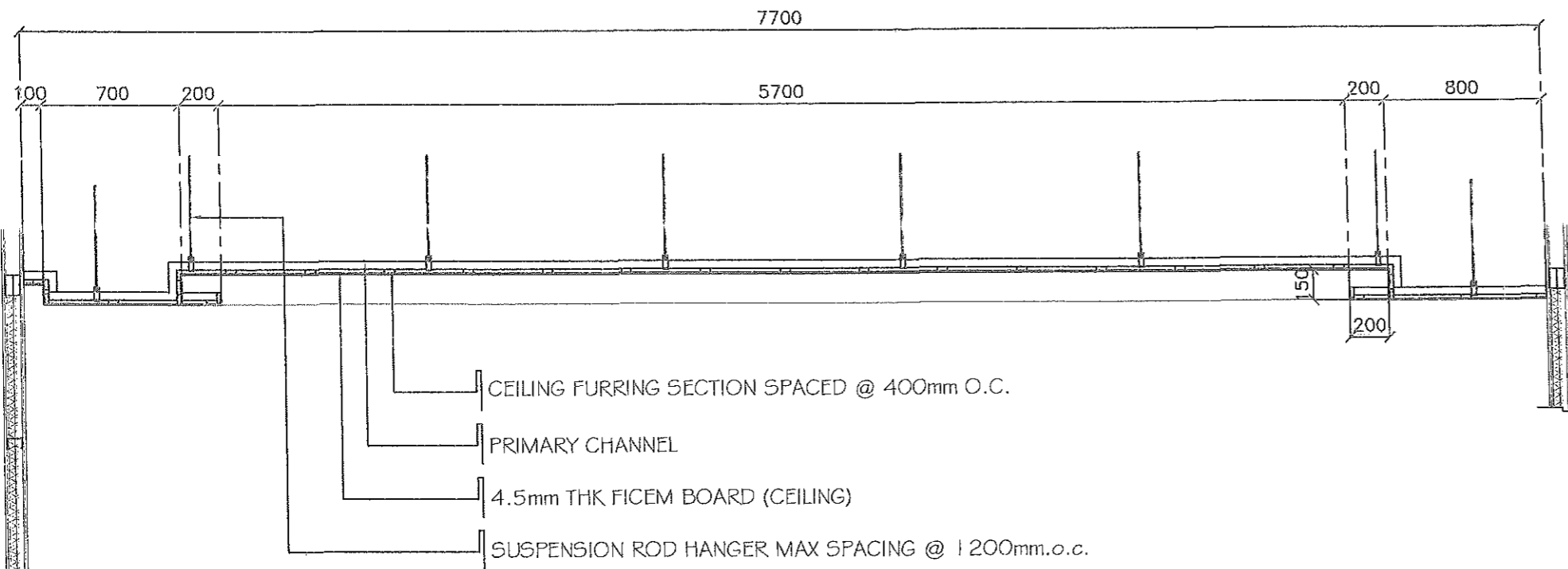
HALLWAY SECTION
SCALE 1:100 MTS.

 <p>FROM THE OFFICE OF: REPUBLIC OF THE PHILIPPINES PROVINCE OF PAMPANGA PROVINCIAL ENGINEER'S OFFICE CAPITOL COMPOUND, CITY OF SAN FERNANDO, (P)</p>	<p>PROJECT TITLE: RENOVATION / IMPROVEMENT OF FORMERLY LEGISLATIVE OFFICES & SESSION HALL AT CAPITOL BUILDING</p> <p>LOCATION: CAPITOL COMPOUND, STO. NIÑO, CSFP</p>	<p>PREPARED BY: <i>SHEELAH MARIE M. MIRANDA</i> ENGINEER II</p>	<p>CHECKED BY: <i>RUSSELL HERNANDEZ</i> CONSTRUCTION DIVISION HEAD</p>	<p>VERIFIED & SUBMITTED BY: <i>WILFREDO A. MANALLIL</i> ASSISTANT PROVINCIAL ENGINEER</p>	<p>RECOMMENDING APPROVAL: <i>OLIMPIO M. PANGAN</i> PROVINCIAL ENGINEER</p>	<p>APPROVED BY: HON. DENNIS G. PINEDA Governor By the Authority of the Governor: <i>ATTY. CHARLIE G. CHUA</i> PROVINCIAL ADMINISTRATOR</p>	<p>SHEET CONTENTS: AS SHOWN</p>	<p>SHEET NO.: A-7</p>
		<p>CADD BY: ARON RALPH PASCUAL</p>	<p>CONSTRUCTION DIVISION HEAD</p>	<p>ASSISTANT PROVINCIAL ENGINEER</p>	<p>PROVINCIAL ENGINEER</p>	<p>PROVINCIAL ADMINISTRATOR</p>	<p>7 / 16</p>	

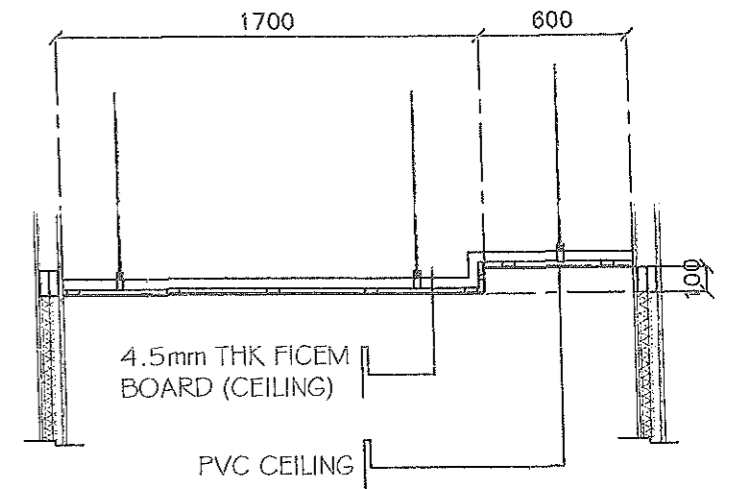


A
DETAIL OF CEILING (OFFICE-1)
SCALE
1:100 MTS.

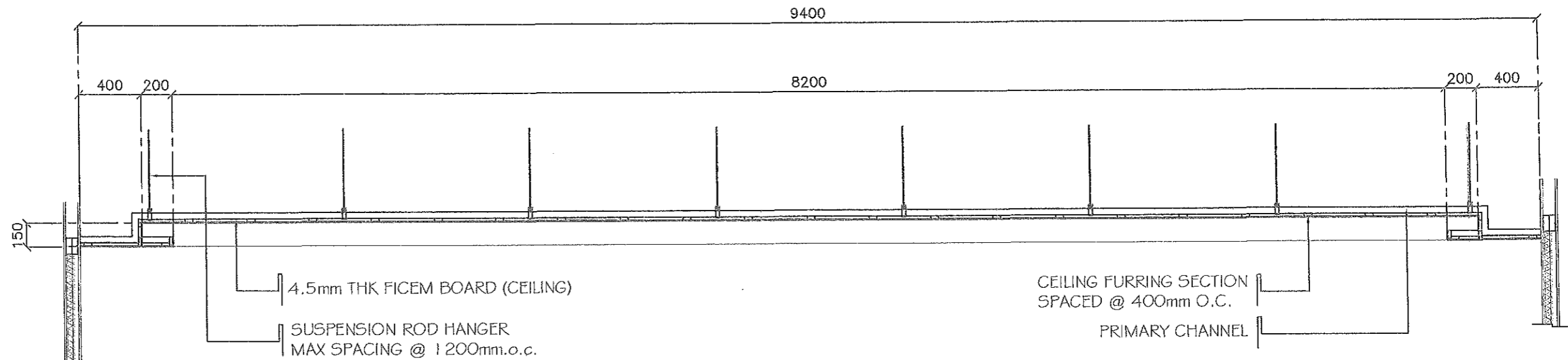
FROM THE OFFICE OF: REPUBLIC OF THE PHILIPPINES PROVINCE OF PAMPANGA PROVINCIAL ENGINEER'S OFFICE CAPITOL COMPOUND, CITY OF SAN FERNANDO, (P)	PROJECT TITLE: RENOVATION / IMPROVEMENT OF FORMERLY LEGISLATIVE OFFICES & SESSION HALL AT CAPITOL BUILDING LOCATION: CAPITOL COMPOUND, STO. NIÑO, CSFP	PREPARED BY: SHEELAH MARIE M. MIRANDA ENGINEER II CADD BY: ARCH. RALPH PASCUAL	CHECKED BY: RUSSELL L. HERNANDEZ CONSTRUCTION DIVISION HEAD	VERIFIED & SUBMITTED BY: WILFREDO A. MANALILI ASSISTANT PROVINCIAL ENGINEER	RECOMMENDING APPROVAL: OLIMRIO M. PANGAN PROVINCIAL ENGINEER	APPROVED BY: HON. DENNIS G. PINEDA Governor By the Authority of the Governor: ATTY. CHARLIE G. CHUA PROVINCIAL ADMINISTRATOR	SHEET COMMENTS: AS SHOWN	SHEET NO.: A-8 <hr/> 8 / 16
--	--	--	--	--	---	---	---	---



A DETAIL OF CEILING (CONFERENCE ROOM)
SCALE 1:100 MTS.

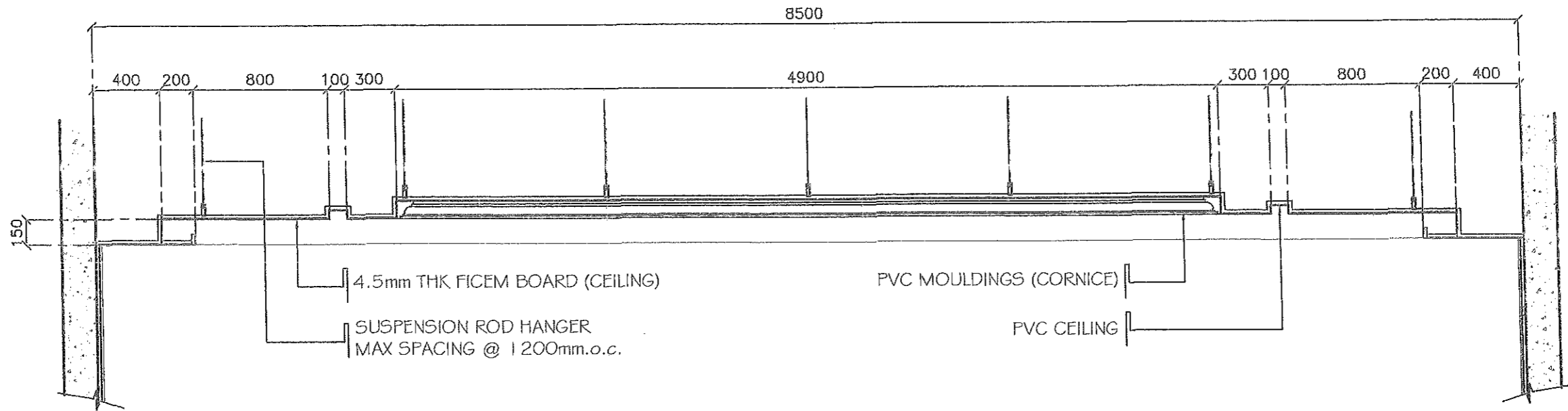


A DETAIL OF CEILING (HALLWAY)
SCALE 1:100 MTS.

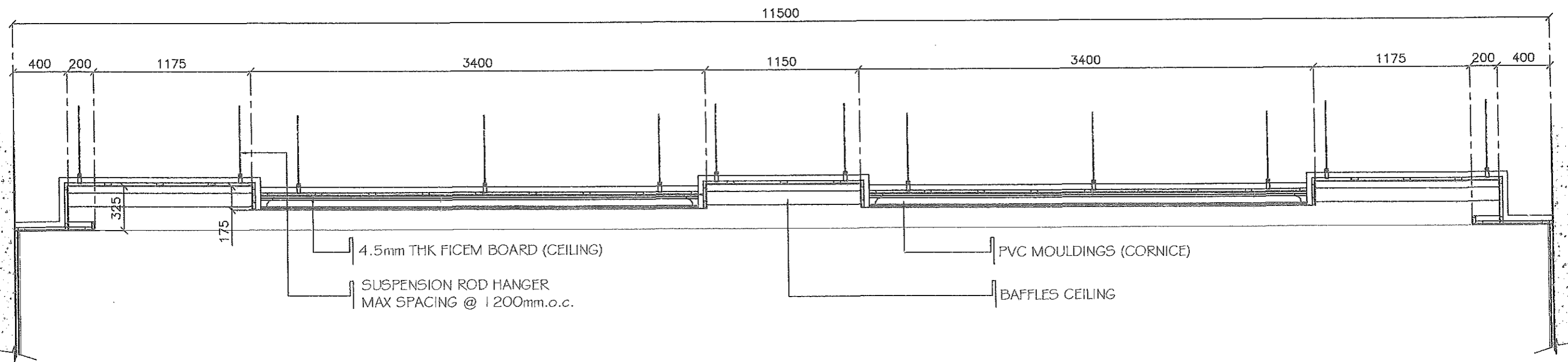


A DETAIL OF CEILING (OFFICE-2)
SCALE 1:100 MTS.

FROM THE OFFICE OF: REPUBLIC OF THE PHILIPPINES PROVINCE OF PAMPANGA PROVINCIAL ENGINEER'S OFFICE CAPITOL COMPOUND, CITY OF SAN FERNANDO, (P)	PROJECT TITLE: RENOVATION / IMPROVEMENT OF FORMERLY LEGISLATIVE OFFICES & SESSION HALL AT CAPITOL BUILDING LOCATION: CAPITOL COMPOUND, STO. NIÑO, CSFP	PREPARED BY: SHEELAH MARIE M. MIRANDA ENGINEER CADD BY: ARCH. RALPH PASCUAL	CHECKED BY: RUSSEL L. HERNANDEZ CONSTRUCTION DIVISION HEAD	VERIFIED & SUBMITTED BY: WILFREDO A. MANALILI ASSISTANT PROVINCIAL ENGINEER	RECOMMENDING APPROVAL: OLIMPIO M. PANGAN PROVINCIAL ENGINEER	APPROVED BY: HON. DENNIS G. PINEDA Governor By the Authority of the Governor. ATTY. CHARLIE G. CHUA PROVINCIAL ADMINISTRATOR	SHEET CONTENTS: AS SHOWN	SHEET NO.: A-9 9 / 16
--	--	---	---	--	---	---	---	------------------------------------

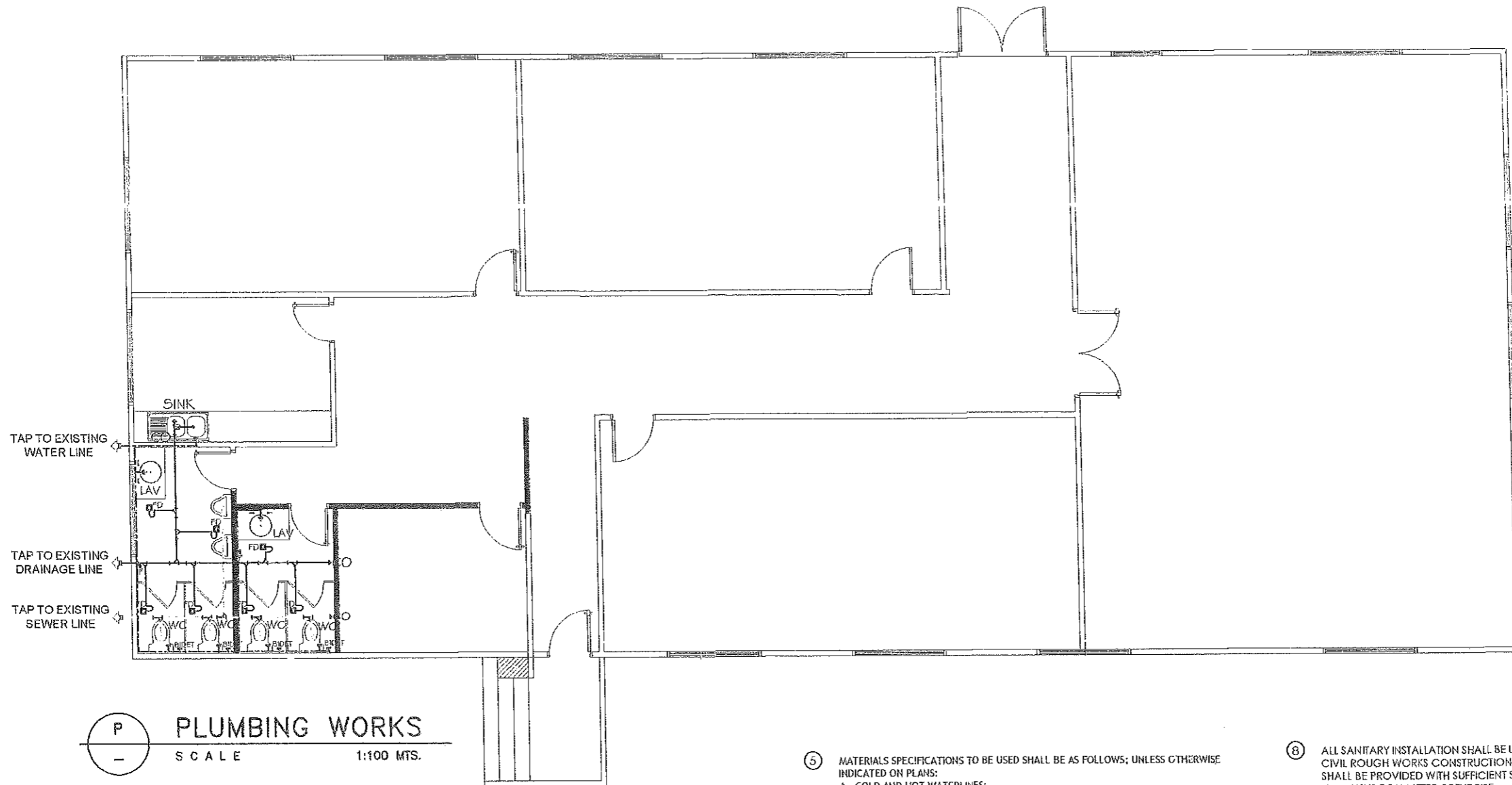


A
-
DETAIL OF CEILING (SESSION HALL - FRONT)
SCALE 1:100 MTS.



A
-
DETAIL OF CEILING (SESSION HALL - RIGHT SIDE)
SCALE 1:100 MTS.

<p>FROM THE OFFICE OF:</p> <p>REPUBLIC OF THE PHILIPPINES PROVINCE OF PAMPANGA</p> <p>PROVINCIAL ENGINEER'S OFFICE CAPITOL COMPOUND, CITY OF SAN FERNANDO, (P)</p>	<p>PROJECT TITLE:</p> <p>RENOVATION / IMPROVEMENT OF FORMERLY LEGISLATIVE OFFICES & SESSION HALL AT CAPITOL BUILDING</p> <p>LOCATION: CAPITOL COMPOUND, STO. NIÑO, CSFP</p>	<p>PREPARED BY:</p> <p><i>S.M.M.</i> SHEELAH MARIE M. MIRANDA ENGINEER II</p> <p>CADD BY: ARCH. RALPH PASCUAL</p>	<p>CHECKED BY:</p> <p><i>R.H.</i> RUSSEL L. HERNANDEZ CONSTRUCTION DIVISION HEAD</p>	<p>VERIFIED & SUBMITTED BY:</p> <p><i>W.M.</i> WILFREDO A. MANALLI ASSISTANT PROVINCIAL ENGINEER</p>	<p>RECOMMENDING APPROVAL:</p> <p><i>O.M.P.</i> OLMPIO M. PANGAN PROVINCIAL ENGINEER</p>	<p>APPROVED BY:</p> <p>HON. DENNIS G. PINEDA Governor By the Authority of the Governor:</p> <p><i>C.G.C.</i> ATTY. CHARLIE G. CHUA PROVINCIAL ADMINISTRATOR</p>	<p>SHEET CONTENTS:</p> <p>AS SHOWN</p>	<p>SHEET NO.:</p> <p>A-10</p> <p>10 / 16</p>
---	--	--	---	---	--	---	---	--



P
—
PLUMBING WORKS
SCALE 1:100 MTS.

LEGEND:

- WC - WATER CLOSET
- LAV - LAVATORY
- CO - CLEAN OUT
- FD - FLOOR DRAIN
- VSTR - VENT STACK THRU ROOF
- SS - SOIL STACK
- F - FAUCET
- DRAINAGE LINE
- WATER LINE
- SEWER LINE

GENERAL PLUMBING NOTES:

- 1 ALL WORKS HEREIN SHALL CONFORM TO THE PROVISIONS OF THE LATEST EDITION OF THE "NATIONAL PLUMBING CODE OF THE PHILIPPINES", & ALL EXISTING ORDINANCES AND REGULATIONS OF THE LOCALITY OF CONSTRUCTION.
- 2 ALL SANITARY WORKS INSTALLATION SHALL BE DONE WITH THE DIRECT SUPERVISION OF A REGISTERED AND LICENSED MASTER PLUMBER OR SANITARY ENGINEER.
- 3 ALL PIPE RUNS SHALL BE STRICTLY DONE IN ACCORDANCE WITH THE LAYOUT SHOWN ON DRAWINGS. ANY DEVIATION OR RELOCATION DUE TO ACTUAL FIELD CONDITION SHALL BE PROPERLY COORDINATED WITH THE ARCHITECT OR THE DESIGNER PRIOR TO DEVIATIONS OR RELOCATIONS. A WRITTEN REQUEST FOR RELOCATION/DEVIATION SHOULD BE SUBMITTED, STATING REASONS FOR SUCH ACTION TO BE DONE, TOGETHER WITH A DRAWING INDICATING THE RELOCATED PIPE RUNS & LAYOUT. NO RELOCATED WORKS SHALL BE UNDERTAKEN W/O THE WRITTEN APPROVAL OF THE ARCHITECT.
- 4 SLOPE OF PIPE RUNS SHALL BE AS FOLLOWS:
 A. STORM DRAINAGE LINE 2%
 B. SANITARY DRAINAGE LINES 2%
 C. VENT LINES 2%

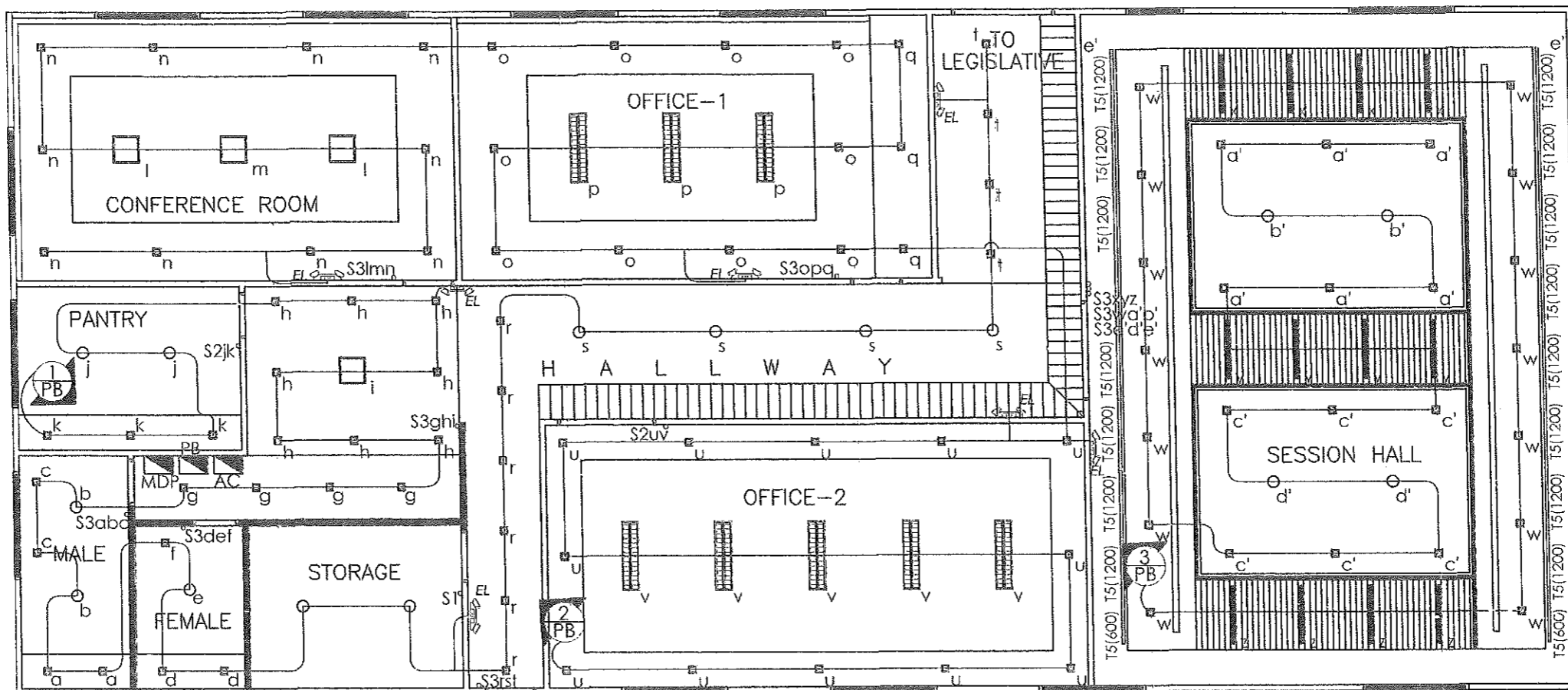
- 5 MATERIALS SPECIFICATIONS TO BE USED SHALL BE AS FOLLOWS; UNLESS OTHERWISE INDICATED ON PLANS:
 A. COLD AND HOT WATERLINES:
 A.1. UNDER-GRADE PIPE.HIGH DENSITY POLYETHYLENE PIPE WITH BRASS FITTINGS (HDPE)
 A.2. ABOVE GRADE, EXPOSED AND ALL PIPES RUNS UNDERFLOOR AND EM-BEDDED IN CONCRETE. . . "FUSIO THERM" PIPE & FITTINGS, PN 20.
 B. SANITARY DRAINAGE LINES:
 B.1. WASTELINE SANITARY PVC PIPE, SERIES 1000, NELLETEX, /ATLANTA/EMERALD OR ANY APPROVED EQUIVALENT.
 B.2. VENT LINE SAME AS MATERIAL FOR WASTE LINES.
 C. STORM DRAINAGE LINES:
 C.1. UNDERGROUND PIPES . . . MACHINE-PRESSED CONCRETE PIPE, MANUFACTURED BY ALLIED CONCRETE PRODUCT, OR ANY APPROVED EQUIVALENT.
 C.2. UNDER R.C. SLAB.SANITARY PVC PIPE, SERIES 1000, FOR PIPES 63MMØ 110MMØ, SANITARY PVC PIPES, SDR 34 FOR PIPES BIGGER THAN 110MMØ.
 C.3. DOWNSPOUT/LEADERS . . . SANITARY PVC PIPE, SERIES 1000.
 D. GATE VALVES. KITZ, / CRANE OR ANY APPROVED EQUIVALENT.
 E. CHECK VALVES KITZ, OR ANY APPROVED EQUIVALENT.

- 6 ALL PLUMBING FIXTURES MUST BE PROPERLY VENTED. IN NO CASE, VENT SHALL NOT BE FARTHER THAN 1500MM., MEASURED ALONG THE LENGTH OF THE PIPE, FROM ANY FIXTURE BEING VENTED.
- 7 ALL EXPOSED CLEAN-OUT COVERS, LOCATED ON FLOORS AND WALLS OF TOILETS, SHALL BE FLUSH AND SCREW TYPE, BRASS FINISH.

- 8 ALL SANITARY INSTALLATION SHALL BE UNDERTAKEN OR CARRIED ALONG WITH THE CIVIL ROUGH WORKS CONSTRUCTION. ALL PIPES PASSING THRU STRUCTURAL MEMBERS SHALL BE PROVIDED WITH SUFFICIENT SIZE SLEEVE, AT LEAST 6MM. LARGER THAN THE OUTSIDE DIAMETER OF THE PIPE.
- 9 SIZES OF PIPES INDICATED ON PLANS ARE AS INDICATED. SIZES INDICATED FOR SANITARY PVC PIPE AND FUSIO THERM PIPE SYSTEM ARE OUTSIDE DIAMETER. LIKEWISE, SIZES INDICATED FOR CONCRETE PIPES ARE INSIDE DIAMETERS.
- 10 UNLESS OTHERWISE INDICATED ON DRAWINGS, MINIMUM INLET SIZES AND HEIGHT FROM FINISH FLOOR, OR FIXTURES SUPPLY PIPES SHALL BE AS FOLLOWS:

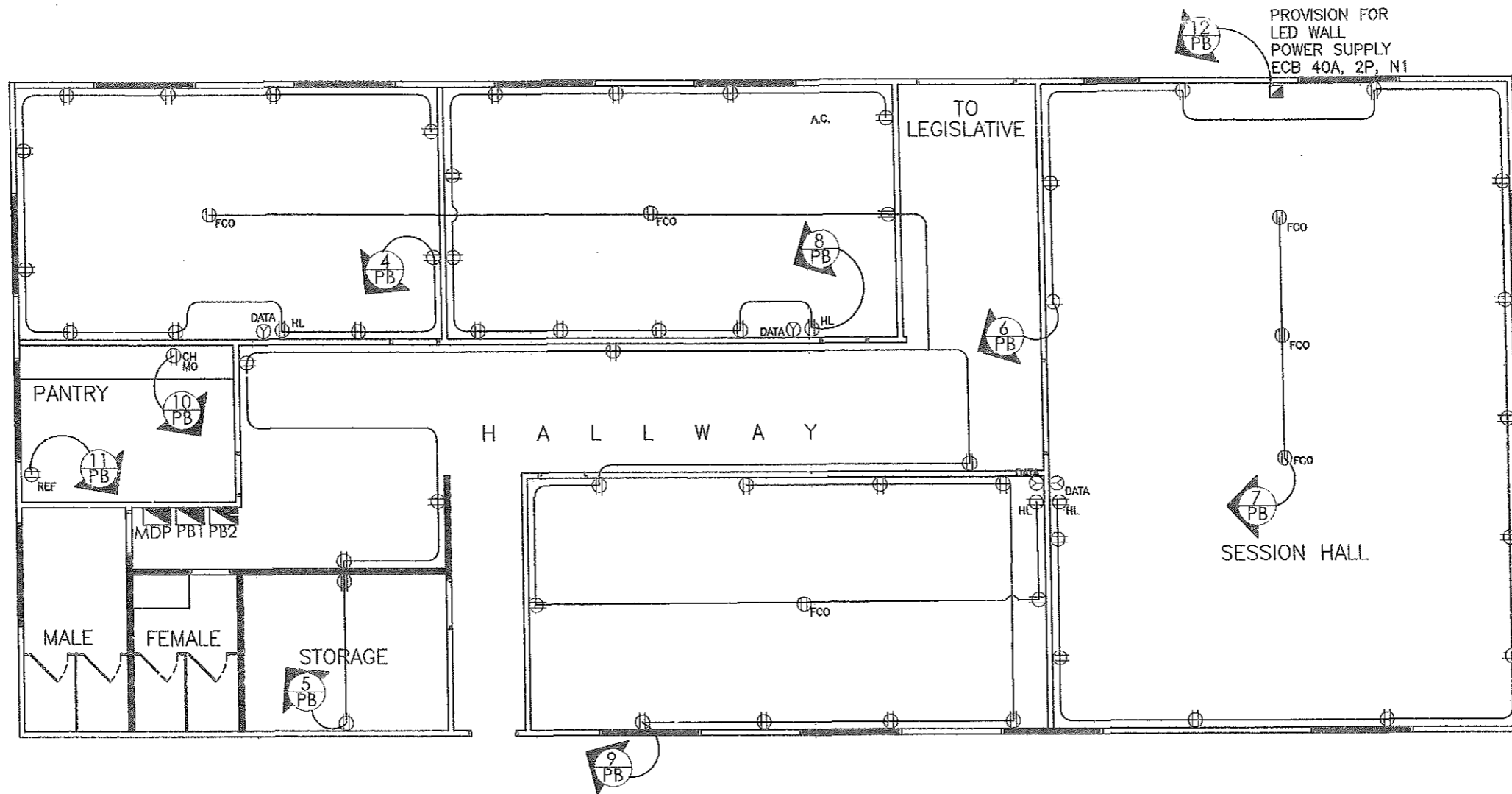
	INLET SIZE(O.D.)	HEIGHT(mm.)	OFFSET FROM CENTERLINE
A. WATER CLOSET WITH FLUSHOMETER VALVE	32mmØ	591mm.	121mm.
B. WATER CLOSET WITH FLUSH TANK	20mmØ	152mm.	180mm.
C. LAVATORY WITH PRESSURE-OPERATED VALVE	25mmØ	152mm.	520mm.
D. LAVATORY WITH ORDINARY VALVE	20mmØ	152mm.	520mm.
E. COMBINATION SHOWER VALVE	20mmØ	N.A.	
F. PORTABLE WATER HEATER	20mmØ	N.A.	
G. URINAL WITH FLUSHOMETER VALVE	25mmØ	1370mm.	121mm.
H. URINAL WITH PUSH-BUTTON VALVE	20mmØ	1370mm.	121mm.
I. URINAL WITH FLUSHOMETER VALVE	20mmØ	150mm.	180mm.
E. KITCHEN SINK			
- 11 ALL PLUMBING INSTALLATIONS SHALL BE PRESSURE-TESTED PRIOR TO FINISHING WORKS, FIXTURES INTALLATION OR AT ANY TIME DURING CONSTRUCTION, AS MAY BE REQUIRED BY THE ARCHITECT.
- 12 UNLESS OTHERWISE INDICATED ON STORM DRAINAGE PLAN, ALL DOWNSPOUT OR LEADERS SHALL BE 90MMØ.
- 13 UNLESS OTHERWISE INDICATED ON SANITARY DRAINAGE PLAN, SIZE OF PIPE SHALL BE 63MMØ.

	FROM THE OFFICE OF:	PROJECT TITLE:	PREPARED BY:	CHECKED BY:	VERIFIED & SUBMITTED BY:	RECOMMENDING APPROVAL:	APPROVED BY:	SHEET CONTENTS:	SHEET NO.:
	REPUBLIC OF THE PHILIPPINES PROVINCE OF PAMPANGA PROVINCIAL ENGINEER'S OFFICE CAPITOL COMPOUND, CITY OF SAN FERNANDO, (P)	RENOVATION / IMPROVEMENT OF FORMERLY LEGISLATIVE OFFICES & SESSION HALL AT CAPITOL BUILDING LOCATION: CAPITOL COMPOUND, STO. NIÑO, CSFP	SHEELAH MARIE M. MIRANDA ENGINEER CADD BY: ARON RALPH PASCUAL	RUSSETZ L. HERNANDEZ CONSTRUCTION DIVISION HEAD	WILFREDO A. MANALILI ASSISTANT PROVINCIAL ENGINEER	OLIMPIO M. PANGAN PROVINCIAL ENGINEER	HON. DENNIS G. PINEDA Governor By the Authority of the Governor: ATTY. CHARLIE G. CHUA PROVINCIAL ADMINISTRATOR	AS SHOWN	P-1

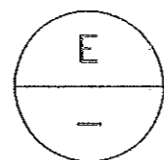


E
LIGHTING LAYOUT PLAN
 (FORMER LEGISLATIVE)
 SCALE 1:100 MTS.

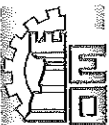
FROM THE OFFICE OF: REPUBLIC OF THE PHILIPPINES PROVINCE OF PAMPANGA PROVINCIAL ENGINEER'S OFFICE CAPITOL COMPOUND, CITY OF SAN FERNANDO, [P]	PROJECT TITLE: RENOVATION / IMPROVEMENT OF FORMERLY LEGISLATIVE OFFICES & SESSION HALL AT CAPITOL BUILDING LOCATION: CAPITOL COMPOUND, STO. NIÑO, CSFF	PREPARED BY: MICHAEL T. MONTEMAYOR <small>ENGINEER</small> SHEELAH MARIS M. MIRANDA <small>ENGINEER</small> CADD BY: ARCH. RALPH PASCUAL	CHECKED BY: RUSSEL J. HERNANDEZ <small>ENGINEER</small> CONSTRUCTION DIVISION HEAD	VERIFIED & SUBMITTED BY: WILFREDO A. MANALI <small>ENGINEER</small> ASSISTANT PROVINCIAL ENGINEER	RECOMMENDING APPROVAL: OLIMPIO M. FANGAN <small>ENGINEER</small> PROVINCIAL ENGINEER	APPROVED BY: HON. DENNIS G. PINEDA <small>Governor</small> By the Authority of the Governor: ATTY. CHARLIE G. CHUA <small>PROVINCIAL ADMINISTRATOR</small>	SHEET CONTENTS: AS SHOWN	SHEET NO.: E-1 12 / 16
--	--	---	--	---	--	---	---	-------------------------------------



**POWER LAYOUT
(FORMER LEGISLATIVE)**



SCALE 1:100 MTS.

	FROM THE OFFICE OF:	PROJECT TITLE:	PREPARED BY:	CHECKED BY:	VERIFIED & SUBMITTED BY:	RECOMMENDING APPROVAL:	APPROVED BY:	SHEET CONTENTS:	SHEET NO.:
	REPUBLIC OF THE PHILIPPINES PROVINCE OF PAMPANGA PROVINCIAL ENGINEER'S OFFICE CAPITOL COMPOUND, CITY OF SAN FERNANDO, (P)	RENOVATION / IMPROVEMENT OF FORMERLY LEGISLATIVE OFFICES & SESSION HALL AT CAPITOL BUILDING LOCATION: CAPITOL COMPOUND, STO. NIÑO, CSFP	MICHAEL T. MONTEMAYOR <small>ENGINEER III</small> SHEELAH MARIE M. MIRANDA <small>ENGINEER I</small> CADD BY: ARCH. RALPH PASCUAL	<small>CONSTRUCTION DIVISION HEAD</small> RUSSEL L. HERNANDEZ	<small>ASSISTANT PROVINCIAL ENGINEER</small> WILFREDO A. MANALI	<small>PROVINCIAL ENGINEER</small> OLIMPIO M. PANGAN	<small>GOVERNOR</small> HON. DENNIS G. PINEDA <small>By the Authority of the Governor:</small> ATTY. CHARLIE G. CHUA <small>PROVINCIAL ADMINISTRATOR</small>	AS SHOWN	E-2 13 / 16

LOAD CALCULATION

PANEL NAME: PB FEED FROM: MDP SYSTEM: 230V, 3Ø, 3WIRE+GROUND, 60HZ ENCLOSURE: NEMA1, SURFACE MOUNTED, BOLT-ON,		FORMER LEGISLATIVE LIGHTING & POWER LOAD CALCULATION												
30 BUSBAR TERMINAL POINTS		CONNECTED LOAD						OVER CURRENT PROTECTION				SIZE OF WIRE AND PVC CONDUITS		
CKT. NO.	DESCRIPTION	V	VA	AB	CA	BC	ABC	AT	AF	P	KA			
1	8-1 x 18W LED T8 LINEAR LIGHT (DECORATIVE), 2-1 x 15W LED DOWNLIGHT, 3-1 x 9W LED DOWNLIGHT, 1-x 36W LED PANEL LAMP, 3-2 x 3W RECHARGEABLE TWINHEAD EMERGENCY LAMP	230	516	2.24				15	50	2	10	2-3.5mm ² THHN/THWN-2 LINE + 2.0mm ² THHN/THWN-2 GROUND IN 20 mm DIA. PVC CONDUIT or 15mm dia. EMT Conduit		
2	8-1 x 18W LED T8 LINEAR LIGHT (DECORATIVE), 35-1 x 9W LED DOWNLIGHT, 3-x 36W LED PANEL LAMP, 4-2 X 3W RECHARGEABLE TWINHEAD EMERGENCY LAMP	230	591	2.57				15	50	2	10	2-3.5mm ² THHN/THWN-2 LINE + 2.0mm ² THHN/THWN-2 GROUND IN 20 mm DIA. PVC CONDUIT or 15mm dia. EMT Conduit		
3	12-1 x 18W LED T8 LINEAR LIGHT (DECORATIVE), 4-1 x 15W LED DOWNLIGHT, 26-1 x 9W LED DOWNLIGHT, 16-1 x 18W LED T5 COVE LIGHT, 2-1 x 9W LED T5 COVE LIGHT	230	816		3.55			15	50	2	10	2-3.5mm ² THHN/THWN-2 LINE + 2.0mm ² THHN/THWN-2 GROUND IN 20 mm DIA. PVC CONDUIT or 15mm dia. EMT Conduit		
4	11-1 x 250W COMPUTER LOAD, -	230	2750		12			20	50	2	10	2-3.5mm ² THHN/THWN-2 LINE + 2.0mm ² THHN/THWN-2 GROUND IN 20 mm DIA. PVC CONDUIT or 15mm dia. EMT Conduit		
5	12-1 x 180W CONVENIENCE OUTLET, 3-1 x 180W FLOOR CONVENIENCE OUTLET, -	230	2700			11.74		20	50	2	10	2-3.5mm ² THHN/THWN-2 LINE + 2.0mm ² THHN/THWN-2 GROUND IN 20 mm DIA. PVC CONDUIT or 15mm dia. EMT Conduit		
6	14-1 x 180W CONVENIENCE OUTLET, -	230	2520			10.96		20	50	2	10	2-3.5mm ² THHN/THWN-2 LINE + 2.0mm ² THHN/THWN-2 GROUND IN 20 mm DIA. PVC CONDUIT or 15mm dia. EMT Conduit		
7	3-1 x 180W FLOOR CONVENIENCE OUTLET, -	230	540	2.35				20	50	2	10	2-3.5mm ² THHN/THWN-2 LINE + 2.0mm ² THHN/THWN-2 GROUND IN 20 mm DIA. PVC CONDUIT or 15mm dia. EMT Conduit		
8	11-1 x 250W COMPUTER LOAD, -	230	2750	11.96				30	50	2	10	2-3.5mm ² THHN/THWN-2 LINE + 2.0mm ² THHN/THWN-2 GROUND IN 20 mm DIA. PVC CONDUIT or 15mm dia. EMT Conduit		
9	7-1 x 250W COMPUTER LOAD, -	230	1750		7.61			30	50	2	10	2-3.5mm ² THHN/THWN-2 LINE + 2.0mm ² THHN/THWN-2 GROUND IN 20 mm DIA. PVC CONDUIT or 15mm dia. EMT Conduit		
10	1-MULTI PURPOSE OUTLET	230	1000		4.35			20	50	2	10	2-3.5mm ² THHN/THWN-2 LINE + 2.0mm ² THHN/THWN-2 GROUND IN 20 mm DIA. PVC CONDUIT or 15mm dia. EMT Conduit		
11	REFRIGERATOR	230	1000			4.35		20	50	2	10	2-3.5mm ² THHN/THWN-2 LINE + 2.0mm ² THHN/THWN-2 GROUND IN 20 mm DIA. PVC CONDUIT or 15mm dia. EMT Conduit		
12	PROVISION FOR LED WALL POWER	230	1000			4.35		40	50	2	10	2-3.5mm ² THHN/THWN-2 LINE + 2.0mm ² THHN/THWN-2 GROUND IN 20 mm DIA. PVC CONDUIT or 15mm dia. EMT Conduit		
13	SPARE	230	1500	6.52				20	50	2	10	20mmØ PVC CONDUIT STUB-OUT		
14	SPARE	230	1500	6.52				20	50	2	10	20mmØ PVC CONDUIT STUB-OUT		
TOTAL CONNECTED LOAD :		20933	32.16	27.46	31.39	0.00								

FEEDER LINE COMPUTATION:
I = ((32.161 x 1.732) + 0) 100% DF
I = 55.71 Amps

MAIN CIRCUIT BREAKER COMPUTATION:
I = ((32.161 x 1.732) + 0) 100% DF
I = 55.71 Amps

USE :
75AT/200AF, 3P, 65KAIC, MCCB
3-22mm² THHN/THWN-2 (L) + 8.0mm² THHN/THWN-2 (G)
IN 32 mmØ PVC CONDUIT OR IN 25mmØ RSC CONDUIT

LEGEND:

	18W LED T8 LINEAR LIGHT (DECORATIVE)		MULTI-PURPOSE OUTLET, COUNTER HEIGHT
	18W LED T8 LINEAR LIGHT (DECORATIVE)		REFRIGERATOR OUTLET
	36W LED 60CM X 60CM PANEL LIGHT		AIR CONDITIONING UNIT
	15W LED DOWNLIGHT		THREE GANG SWITCH
	9W LED DOWNLIGHT		TWO GANG SWITCH
	18W LED T5 COVE LIGHT		ONE GANG SWITCH
	9W LED T5 COVE LIGHT		PANELBOARD
	DUPLEX CONVENIENCE OUTLET		ECB, NEMA 3R
	FLOOR MOUNTED CONVENIENCE OUTLET		HOMERUN
	DUPLEX CONVENIENCE OUTLET (HIGH LEVEL)		EMERGENCY LIGHT

PANEL NAME: AC FEED FROM: MDP SYSTEM: 230V, 3Ø, 3WIRE+GROUND, 60HZ ENCLOSURE: NEMA1, SURFACE MOUNTED, BOLT-ON,		FORMER LEGISLATIVE ACU LOAD CALCULATION												
30 BUSBAR TERMINAL POINTS		CONNECTED LOAD						OVER CURRENT PROTECTION				SIZE OF WIRE AND PVC CONDUITS		
CKT. NO.	DESCRIPTION	V	VA	AB	CA	BC	ABC	AT	AF	P	KA			
1	1.0 HP SPLIT TYPE ACU	230	1840	8.00				20	50	2	10	2-3.5mm ² THHN/THWN-2 LINE + 2.0mm ² THHN/THWN-2 GROUND IN 20 mm DIA. PVC CONDUIT or 15mm dia. EMT Conduit		
2	2.0 HP SPLIT TYPE ACU	230	2760	12.00				40	50	2	10	2-5.5mm ² THHN/THWN-2 LINE + 3.5mm ² THHN/THWN-2 GROUND IN 20 mm DIA. PVC CONDUIT or 15mm dia. EMT Conduit		
3	2.0 HP SPLIT TYPE ACU	230	2760		12.00			40	50	2	10	2-5.5mm ² THHN/THWN-2 LINE + 3.5mm ² THHN/THWN-2 GROUND IN 20 mm DIA. PVC CONDUIT or 15mm dia. EMT Conduit		
4	2.0 HP SPLIT TYPE ACU	230	2760		12.00			40	50	2	10	2-5.5mm ² THHN/THWN-2 LINE + 3.5mm ² THHN/THWN-2 GROUND IN 20 mm DIA. PVC CONDUIT or 15mm dia. EMT Conduit		
5	2.0 HP SPLIT TYPE ACU	230	2760			12.00		40	50	2	10	2-5.5mm ² THHN/THWN-2 LINE + 3.5mm ² THHN/THWN-2 GROUND IN 20 mm DIA. PVC CONDUIT or 15mm dia. EMT Conduit		
6	3TONER ACU	230	5175			22.50		50	100	2	10	2-8mm ² THHN/THWN-2 LINE + 5.5mm ² THHN/THWN-2 GROUND IN 25 mm DIA. PVC CONDUIT or 20mm dia. EMT Conduit		
7	3TONER ACU	230	5175	22.50				50	100	2	10	2-8mm ² THHN/THWN-2 LINE + 5.5mm ² THHN/THWN-2 GROUND IN 25 mm DIA. PVC CONDUIT or 20mm dia. EMT Conduit		
8	3TONER ACU	230	5175	22.50				50	100	2	10	2-8mm ² THHN/THWN-2 LINE + 5.5mm ² THHN/THWN-2 GROUND IN 25 mm DIA. PVC CONDUIT or 20mm dia. EMT Conduit		
9	2.0 HP SPLIT TYPE ACU	230	2760		12.00			40	50	2	10	2-5.5mm ² THHN/THWN-2 LINE + 3.5mm ² THHN/THWN-2 GROUND IN 20 mm DIA. PVC CONDUIT or 15mm dia. EMT Conduit		
10	2.0 HP SPLIT TYPE ACU	230	2760		12.00			40	50	2	10	2-5.5mm ² THHN/THWN-2 LINE + 3.5mm ² THHN/THWN-2 GROUND IN 20 mm DIA. PVC CONDUIT or 15mm dia. EMT Conduit		
11	SPARE	230	2300			10.00		20	50	2	10	25mm dia. Stub-up Pipe		
12	SPARE	230	2300			10.00		20	50	2	10	25mm dia. Stub-up Pipe		
13	SPARE	230	2300		10.00			20	50	2	10	25mm dia. Stub-up Pipe		
14	SPARE	230	2300		10.00			20	50	2	10	25mm dia. Stub-up Pipe		
15	SPARE	230	2300			10.00		20	50	2	10	25mm dia. Stub-up Pipe		
16	SPACE													
TOTAL CONNECTED LOAD :		45425	65.00	68.00	64.50	0.00								

FEEDER LINE COMPUTATION:
I = ((68 x 1.732) + 0) 100% DF
I = 123.41 Amps

MAIN CIRCUIT BREAKER COMPUTATION:
I = ((68 x 1.732) + 0) 100% DF
I = 123.41 Amps

USE :
160AT/200AF, 3P, 65KAIC,
3-60mm² THHN/THWN-2 (L) + 14mm² THHN/THWN-2 (G)
IN 63 mmØ PVC CONDUIT OR IN 50mmØ RSC CONDUIT

PANEL NAME: MDP FEED FROM: UTILITY COMPANY SYSTEM: 230V, 3Ø, 3WIRE+GROUND, 60HZ ENCLOSURE: NEMA1, SURFACE MOUNTED, BOLT-ON,		FORMER LEGISLATIVE LOAD CALCULATION												
10 BUSBAR TERMINAL POINTS		CONNECTED LOAD						OVER CURRENT PROTECTION				SIZE OF WIRE AND PVC CONDUITS		
CKT. NO.	DESCRIPTION	V	VA	AB	CA	BC	ABC	AT	AF	P	KA			
1	PB	230	20933	32.16	27.46	31.39	0	75	200	3	65	3-22mm ² THHN/THWN-2 LINE + 8.0mm ² THHN/THWN-2 GROUND IN 32 mm DIA. PVC CONDUIT or 25mm dia. EMT Conduit		
2	AC	230	45425	65.00	68.00	64.50	0	160	200	3	65	3-60mm ² THHN/THWN-2 LINE + 14mm ² THHN/THWN-2 GROUND IN 63 mm DIA. PVC CONDUIT or 50mm dia. EMT Conduit		
3	SPARE	230	34500	50	50	50	0	125	200	3	65	110mm dia. Stub-up Pipe		
4	SPARE	230	34500	50	50	50	0	125	200	3	65	110mm dia. Stub-up Pipe		
TOTAL CONNECTED LOAD :		135358	197.16	195.46	195.89	0.00								

FEEDER LINE COMPUTATION:
I = ((197.161 x 1.732) + 0) 85% DF
I = 295.05 Amps

MAIN CIRCUIT BREAKER COMPUTATION:
I = ((197.161 x 1.732) + 0) 85% DF
I = 318.95 Amps

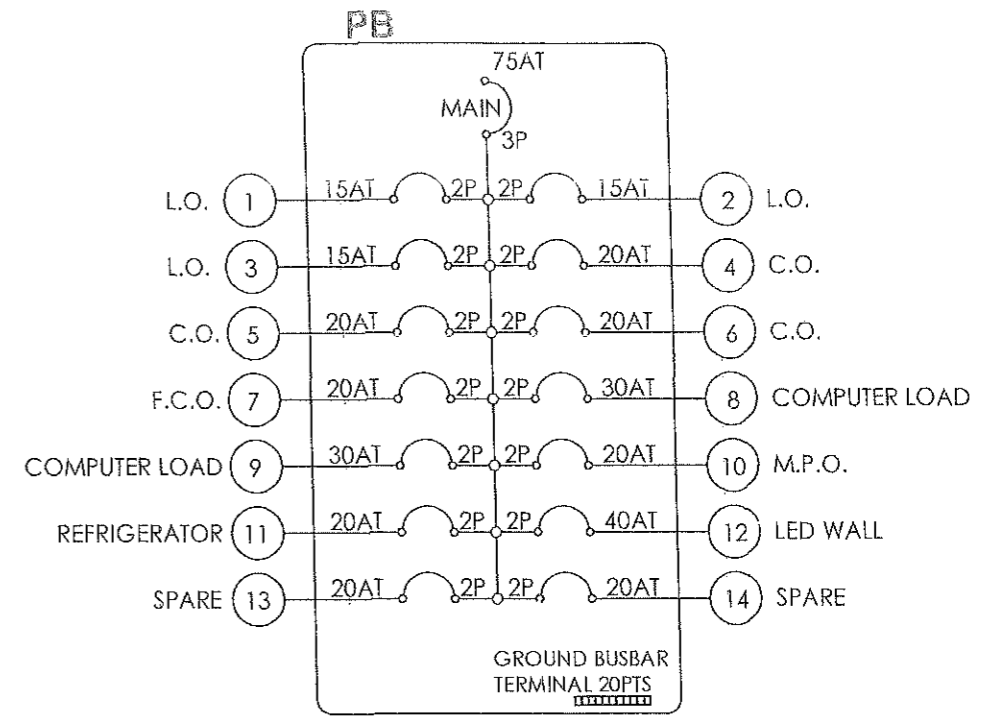
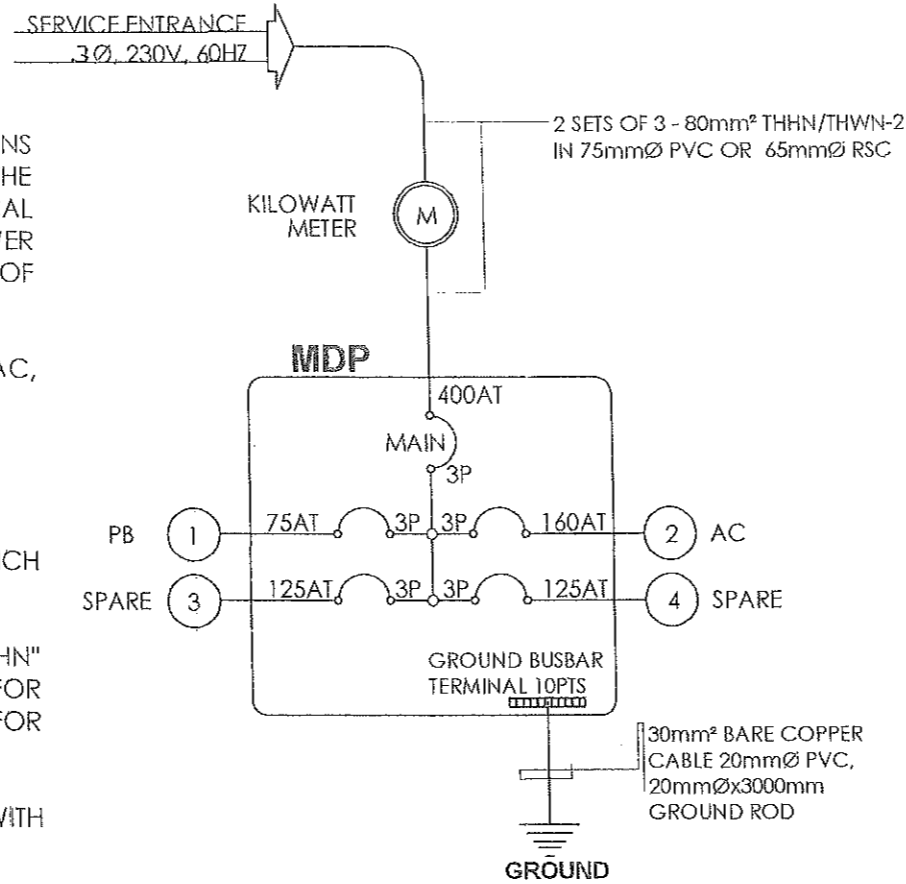
USE :
400AT/400AF, 3P, 85KAIC, MCCB
2SETS OF 3-80mm² THHN/THWN-2 (L) + 30mm² THHN/THWN-2 (G)
IN 75 mmØ PVC CONDUIT OR IN 65mmØ RSC CONDUIT

FROM THE OFFICE OF: REPUBLIC OF THE PHILIPPINES PROVINCE OF PAMPANGA PROVINCIAL ENGINEER'S OFFICE CAPITOL COMPOUND, CITY OF SAN FERNANDO, (P)	PROJECT TITLE: RENOVATION / IMPROVEMENT OF FORMERLY LEGISLATIVE OFFICES & SESSION HALL AT CAPITOL BUILDING LOCATION: CAPITOL COMPOUND, STO. NINO, CSFP	PREPARED BY: MICHAEL T. MONTEMAYOR ENGINEER SHEELAH MARIS M. MIRANDA ENGINEER II CADD BY: ARCH. RALPH PASUAL	CHECKED BY: RUSSEL L. HERNANDEZ CONSTRUCTION DIVISION HEAD	VERIFIED & SUBMITTED BY: WILFREDO A. MANALILI ASSISTANT PROVINCIAL ENGINEER	RECOMMENDING APPROVAL: OLIMPIO M. PANGAN PROVINCIAL ENGINEER	APPROVED BY: HON. DENNIS G. PINEDA Governor By the Authority of the Governor: ATTY. CHARLIE G. CHUA PROVINCIAL ADMINISTRATOR	SHEET CONTENTS: AS SHOWN	SHEET NO.: E-3
--	---	---	---	--	---	---	------------------------------------	--------------------------

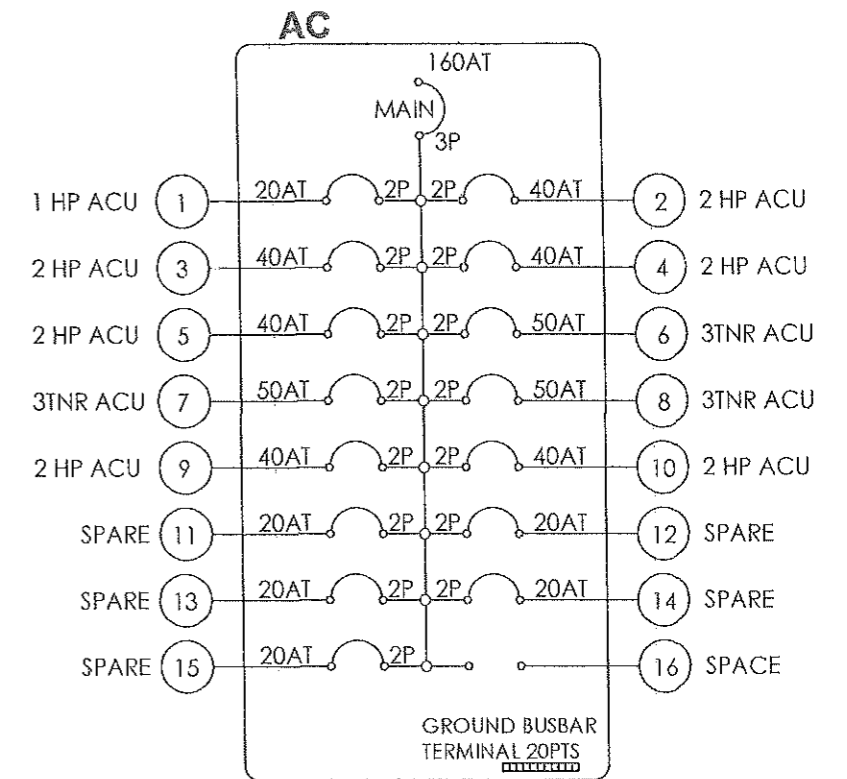
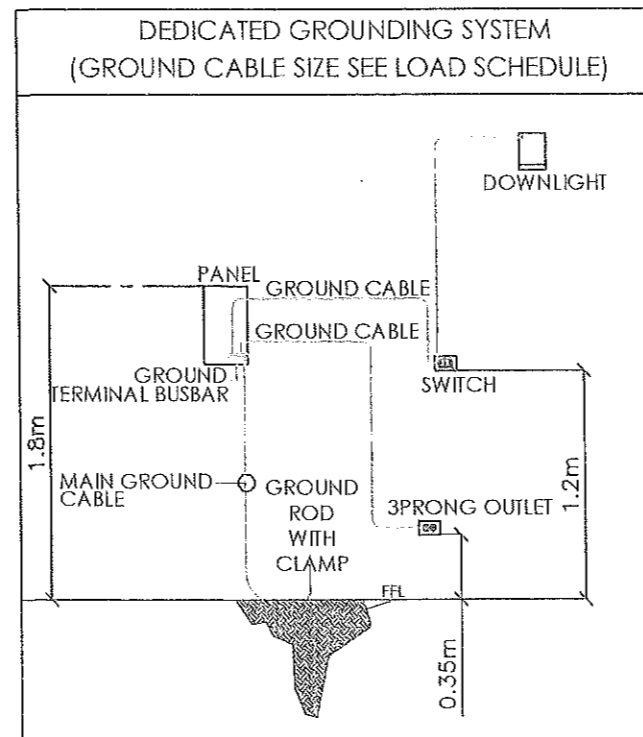
GENERAL NOTES:

1. ALL ELECTRICAL WORKS SHALL COMPLY IN ACCORDANCE WITH THESE PLANS AND SPECIFICATIONS. THE APPLICABLE PROVISIONS OF THE LATEST EDITION OF THE PHILIPPINE ELECTRICAL CODE (PEC). THE RULES AND REGULATIONS OF THE LOCAL ENFORCING AUTHORITY AND THE REQUIREMENTS OF THE LOCAL POWER COMPANY. THE ELECTRICAL WORKS SHALL BE UNDER IMMEDIATE SUPERVISION OF A DULY REGISTERED ELECTRICAL ENGINEER.
2. THE ELECTRICAL SERVICE POWER IS 3-PHASE, 3-WIRE + 1-GROUND, 230V AC, 60Hz.
3. WIRING METHOD SHALL BE AS FOLLOWS;
 - a. FEEDERS AND RISERS - INTERMEDIATE METALLIC CONDUIT
 - b. LIGHTING POWER RECEPTACLE - POLYVINYL CHLORIDE CONDUIT BRANCH CKT. & AUXILIARY, SCH. 40.
4. ALL WIRES SHALL BE COPPER AND THERMOPLASTIC INSULATED TYPE "THHN" UNLESS OTHERWISE INDICATED IN THE PLAN. THE MINIMUM SIZE OF WIRE FOR POWER AND LIGHTING CIRCUIT HOMERUN SHALL BE 3.5mm² AND INSULATED FOR 600 VOLTS. SMALLEST RACEWAY SHALL BE 20mmØ TRADE/NORMAL SIZE.
5. ALL OUTLET BOXES SHALL BE GALVANIZED GAGE NO. 16 DEEP TYPE WITH FACTORY KNOCKOUTS.
6. ALL MATERIALS TO BE USED SHALL BE BRAND NEW AND APPROVED TYPE FOR THE PARTICULAR LOCATION AND PURPOSE OF USAGE.
7. GROUNDING SYSTEM SHALL BE PROVIDED TO ALL LIGHTING AND POWER CIRCUIT AS PER PHILIPPINE ELECTRICAL CODE REQUIREMENT.
8. WHENEVER NECESSARY PULL BOXES SHALL BE PROVIDED EVEN IF NOT INDICATED IN THE PLANS. ALL ELECTRICAL WORKS SHALL BE DONE UNDER THE DIRECT AND IMMEDIATE SUPERVISION OF A DULY QUALIFIED LICENSED ELECTRICAL ENGINEER.
9. MOUNTING HEIGHT OF WIRING DEVICES SHALL BE AS FOLLOWS;

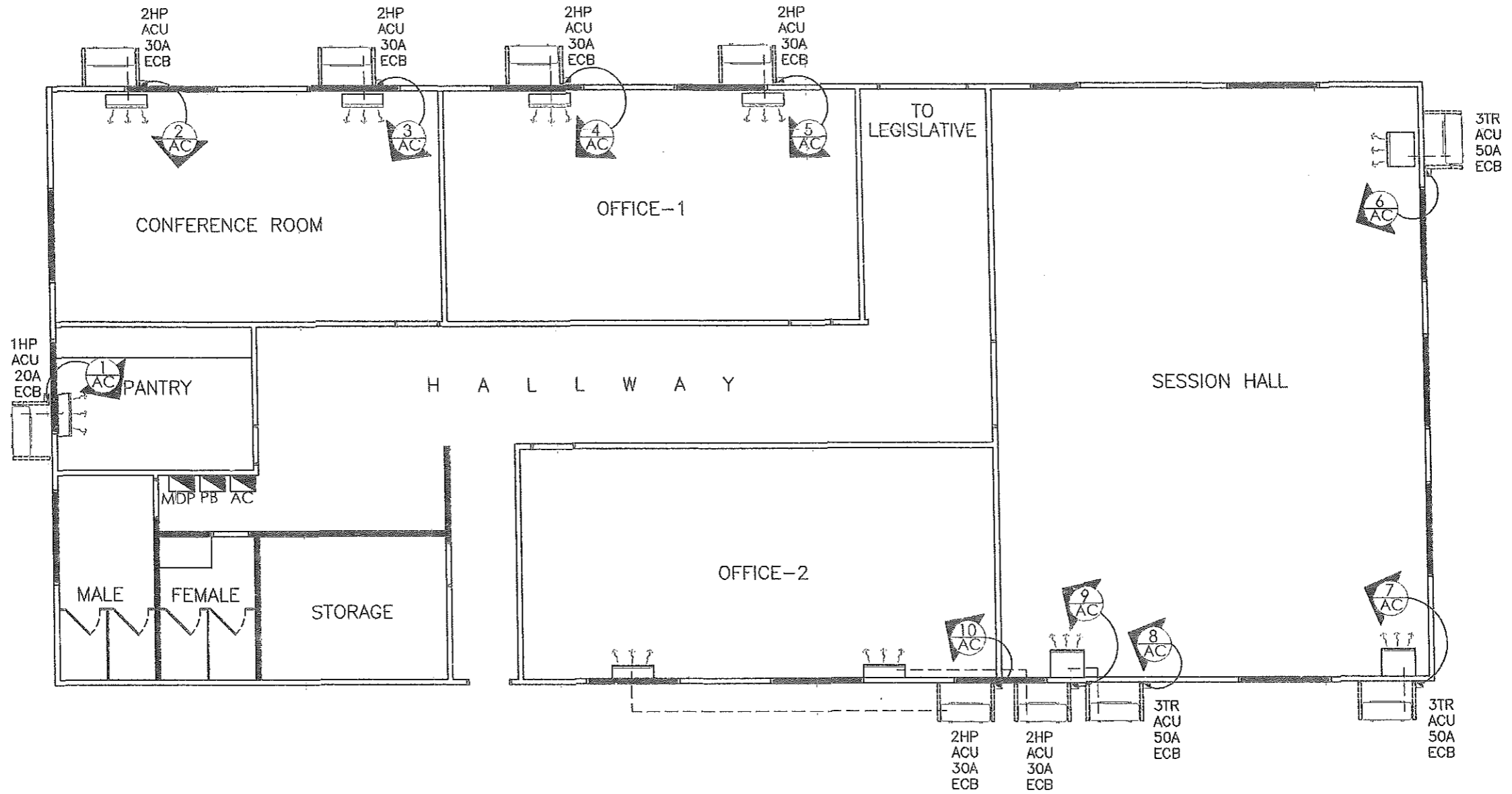
a. LIGHTING SWITCH	- 1.20 m ABOVE FINISHED FLOOR
b. CONVENIENCE OUTLET	- 0.30 m ABOVE FINISHED FLOOR
c. WALL FAN OUTLET	- 1.80 m ABOVE FINISHED FLOOR
d. PANEL BOARD	- 1.80 m ABOVE FINISHED FLOOR
10. THE FOLLOWING TEST SHALL BE DONE BEFORE ENERGIZATION THE ELECTRICAL SYSTEM
 - A) CONTINUITY TEST
 - B) INSULATION RESISTANCE TEST
 - C) EARTH RESISTANCE TEST
 - D) PHASE SEQUENCE TEST
 - E) FUNCTIONALITY TEST



SINGLE LINE DIAGRAM



FROM THE OFFICE OF: REPUBLIC OF THE PHILIPPINES PROVINCE OF PAMPANGA PROVINCIAL ENGINEER'S OFFICE CAPITOL COMPOUND, CITY OF SAN FERNANDO, (P)	PROJECT TITLE: RENOVATION / IMPROVEMENT OF FORMERLY LEGISLATIVE OFFICES & SESSION HALL AT CAPITOL BUILDING LOCATION: CAPITOL COMPOUND, STO. NIÑO, CSFP	PREPARED BY: MICHAEL A. MONTEZMAYOR ENGINEER SHEELAH MARIE V. MIRANDA ENGINEER II CADD BY: ARCH. RALPH RASCUAL	CHECKED BY: RUSSEL L. HERNANDEZ CONSTRUCTION DIVISION HEAD	VERIFIED & SUBMITTED BY: WILFREDO A. MANALILI ASSISTANT PROVINCIAL ENGINEER	RECOMMENDING APPROVAL: OLIMPIO M. PANGAN PROVINCIAL ENGINEER	APPROVED BY: HON. DENNIS G. PINEDA Governor Atty. CHARLIE G. CHUA PROVINCIAL ADMINISTRATOR	SHEET CONTENTS: AS SHOWN	SHEET NO.: E-4 15 / 16
--	--	---	--	---	--	--	-----------------------------	------------------------------



ACU LAYOUT PLAN
(FORMER LEGISLATIVE)

E
— SCALE 1:100 MTS.

<p>FROM THE OFFICE OF:</p> <p>REPUBLIC OF THE PHILIPPINES PROVINCE OF PAMPANGA</p> <p>PROVINCIAL ENGINEER'S OFFICE</p> <p>CAPITOL COMPOUND, CITY OF SAN FERNANDO, (P)</p>	<p>PROJECT TITLE:</p> <p>RENOVATION / IMPROVEMENT OF FORMERLY LEGISLATIVE OFFICES & SESSION HALL AT CAPITOL BUILDING</p> <p>LOCATION: CAPITOL COMPOUND, STO. NIÑO, CSFP</p>	<p>PREPARED BY:</p> <p><i>[Signature]</i> MICHAEL T. MONTEMAYOR ENGINEER III</p> <p><i>[Signature]</i> SHEELAH MARIE W. MIRANDA ENGINEER</p> <p>CADD BY: ARCH. RALPH BASUAL</p>	<p>CHECKED BY:</p> <p><i>[Signature]</i> RUSSEL L. HERNANDEZ CONSTRUCTION DIVISION HEAD</p>	<p>VERIFIED & SUBMITTED BY:</p> <p><i>[Signature]</i> WILFREDO A. MANALILI ASSISTANT PROVINCIAL ENGINEER</p>	<p>RECOMMENDING APPROVAL:</p> <p><i>[Signature]</i> OLIMPIO M. FANGAN PROVINCIAL ENGINEER</p>	<p>APPROVED BY:</p> <p><i>[Signature]</i> HON. DENNIS G. PINEDA Governor By the Authority of the Governor:</p> <p><i>[Signature]</i> ATTY. CHARLIE G. CHUA PROVINCIAL ADMINISTRATOR</p>	<p>SHEET CONTENTS:</p> <p>AS SHOWN</p>	<p>SHEET NO.:</p> <p>E-5</p> <p style="text-align: right;">16 / 16</p>
--	--	---	--	---	--	---	---	---