

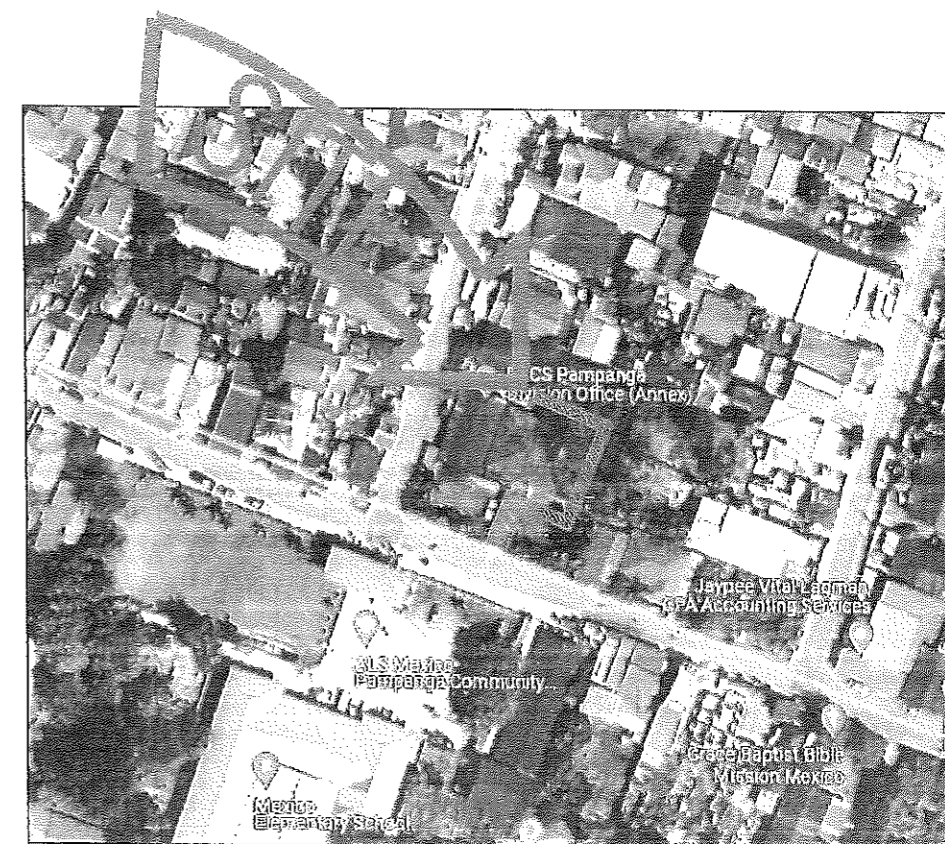
REPUBLIC OF THE PHILIPPINES  
PROVINCE OF PAMPANGA

# PROVINCIAL ENGINEER'S OFFICE

CAPITOL COMPOUND, CITY OF SAN FERNANDO, PAMPANGA

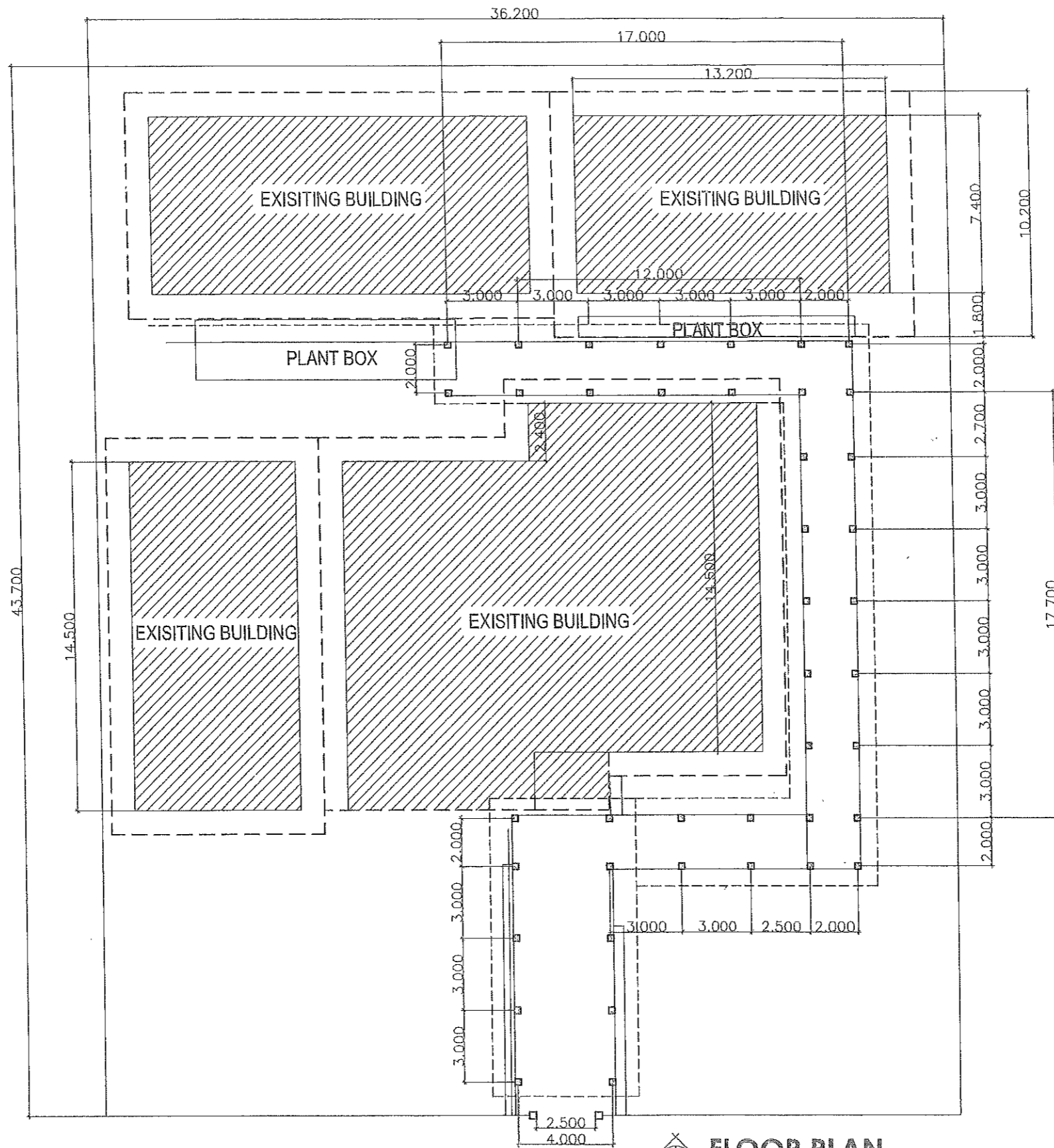


PERSPECTIVE

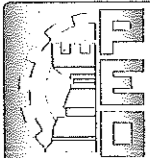


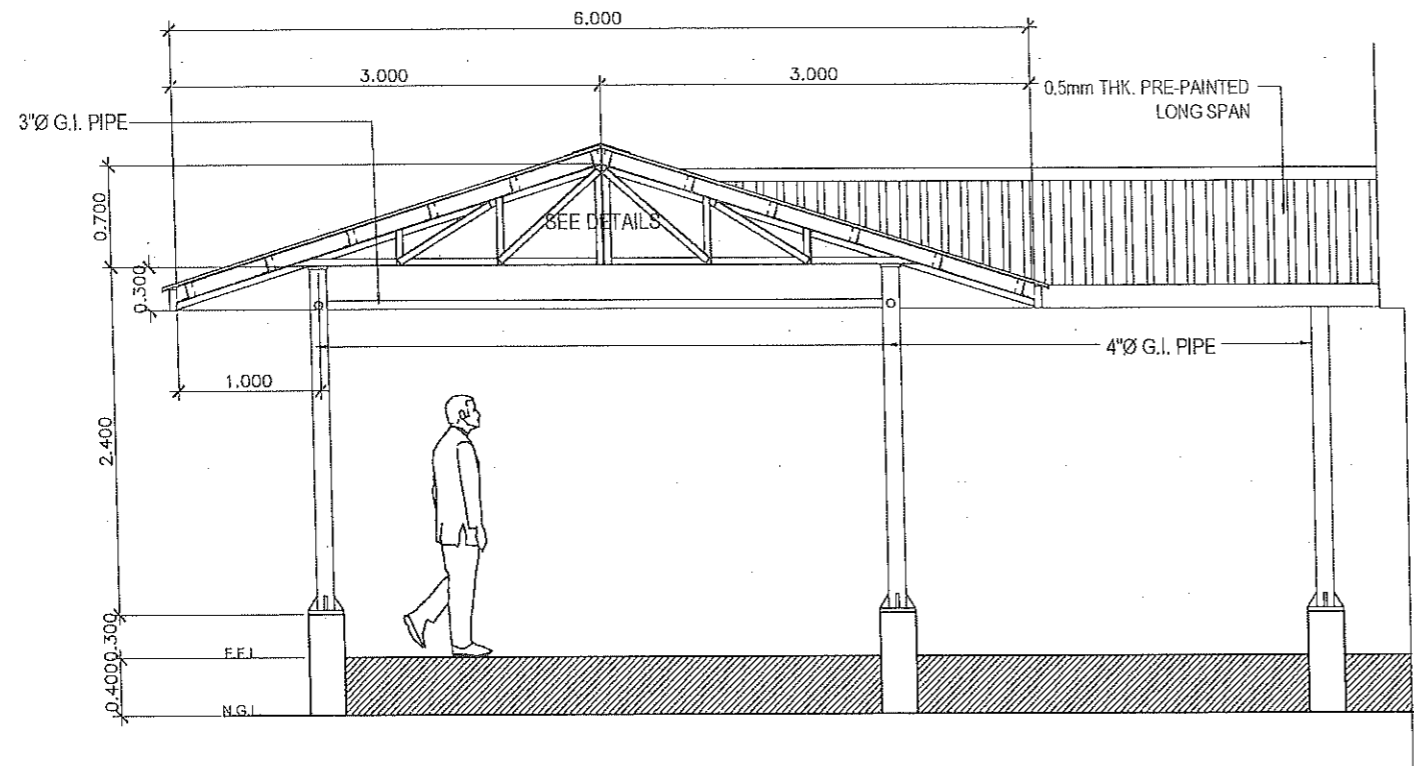
VICINITY MAP  
SCALE: N.T.S.

**CONSTRUCTION OF COVERED PATHWAY AT PARIAN  
ELEMENTARY SCHOOL**  
LOCATION: PARIAN, MEXICO, PAMPANGA

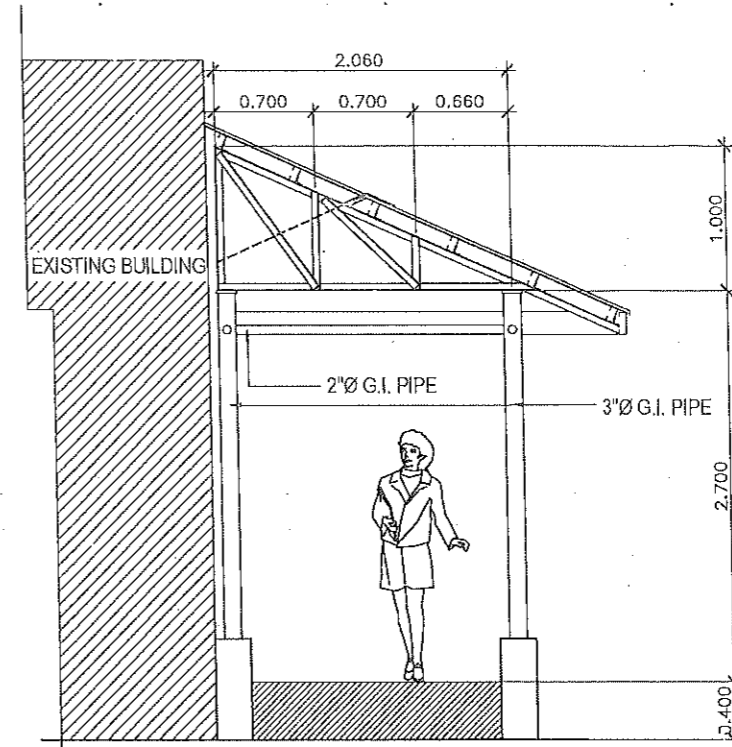


**FLOOR PLAN**  
SCALE 1:200

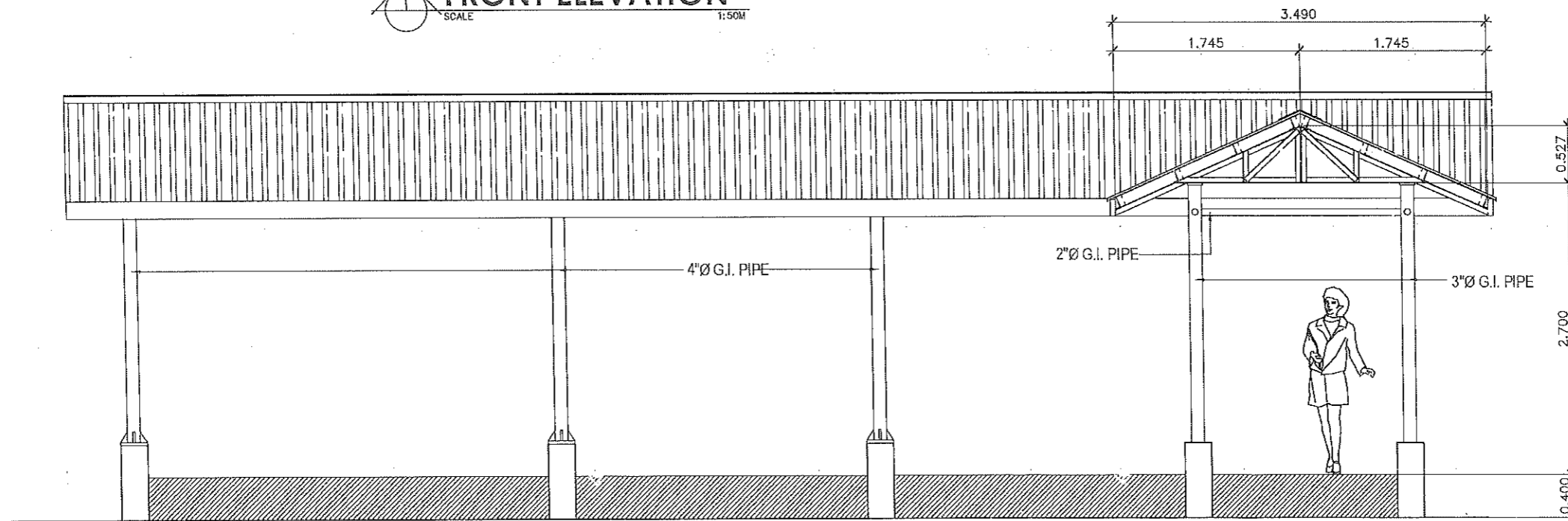
	FROM THE OFFICE OF: REPUBLIC OF THE PHILIPPINES PROVINCE OF PAMPANGA  <b>PROVINCIAL ENGINEER'S OFFICE</b>  CAPITOL COMPOUND, CITY OF SAN FERNANDO, (P)	PROJECT TITLE: <b>CONSTRUCTION OF COVERED PATHWAY          AT PARIAN ELEMENTARY SCHOOL.</b>  LOCATION: PARIAN, MEXICO, PAMPANGA	PREPARED BY: <i>Morales</i> CHRISTINE V. MORALES ENGINEER I  <i>Danan</i> EDRALIN M. DANAN ENGINEER II	CHECKED BY: <i>Julap</i> ESMERALDO T. GULAPA ENGINEER IV	VERIFIED BY: WILFREDO A. MANALILI ASSISTANT PROVINCIAL ENGINEER	RECOMMENDING APPROVAL: <i>1/10/20</i> OLIMPIO M. PANGAN PROVINCIAL ENGINEER	APPROVED BY: HON. DENNIS G. PINEDA GOVERNOR BY THE AUTHORITY OF THE GOVERNOR  <i>Chua</i> HON. CHARLIE G. CHUA PROVINCIAL ADMINISTRATOR	SHEET No: 2  7
---	--	--	---	---	---	--	--	-------------------------



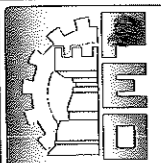
FRONT ELEVATION  
SCALE 1:50M

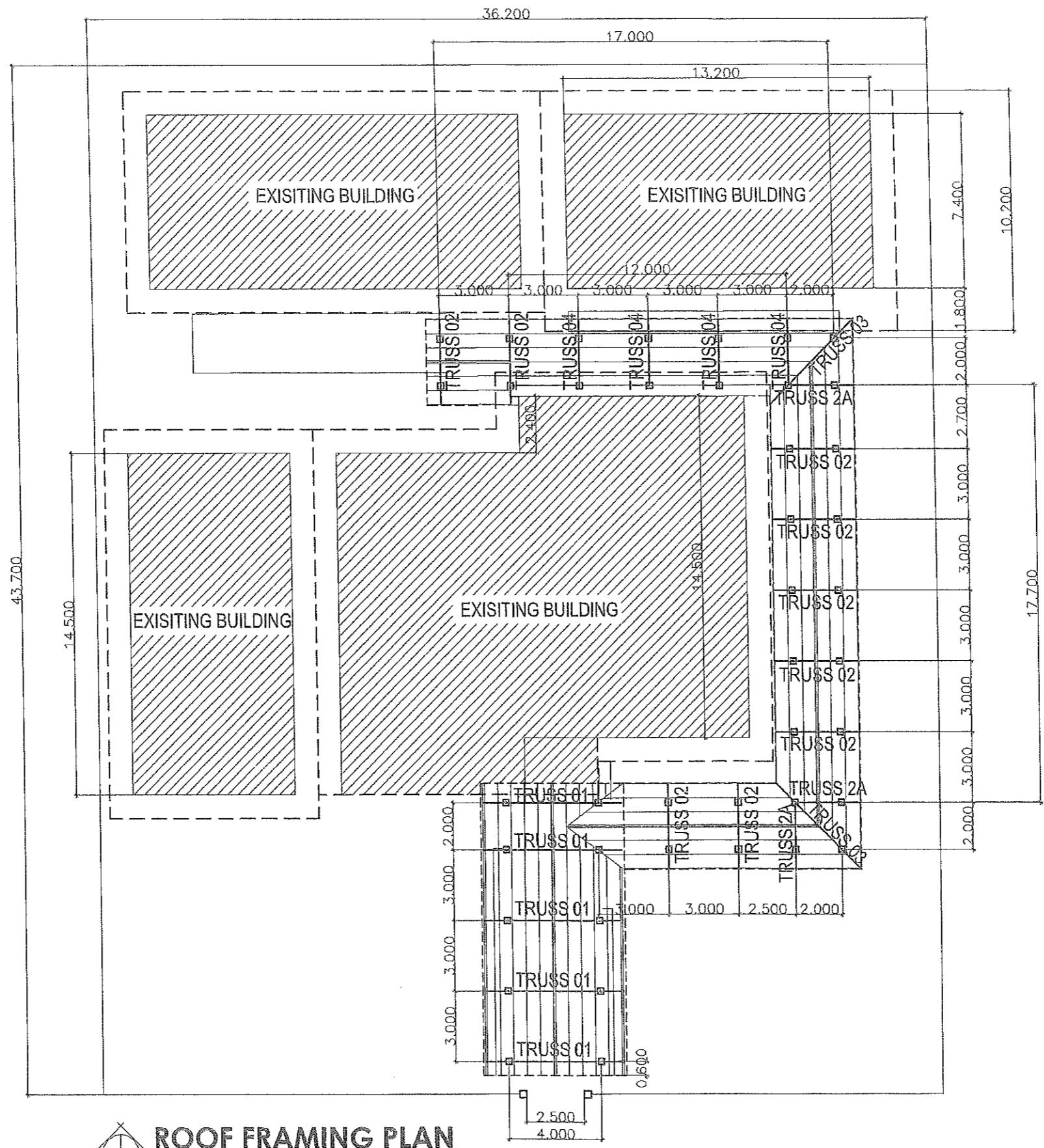


REAR ELEVATION  
SCALE 1:50M

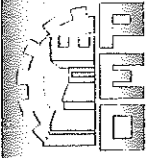


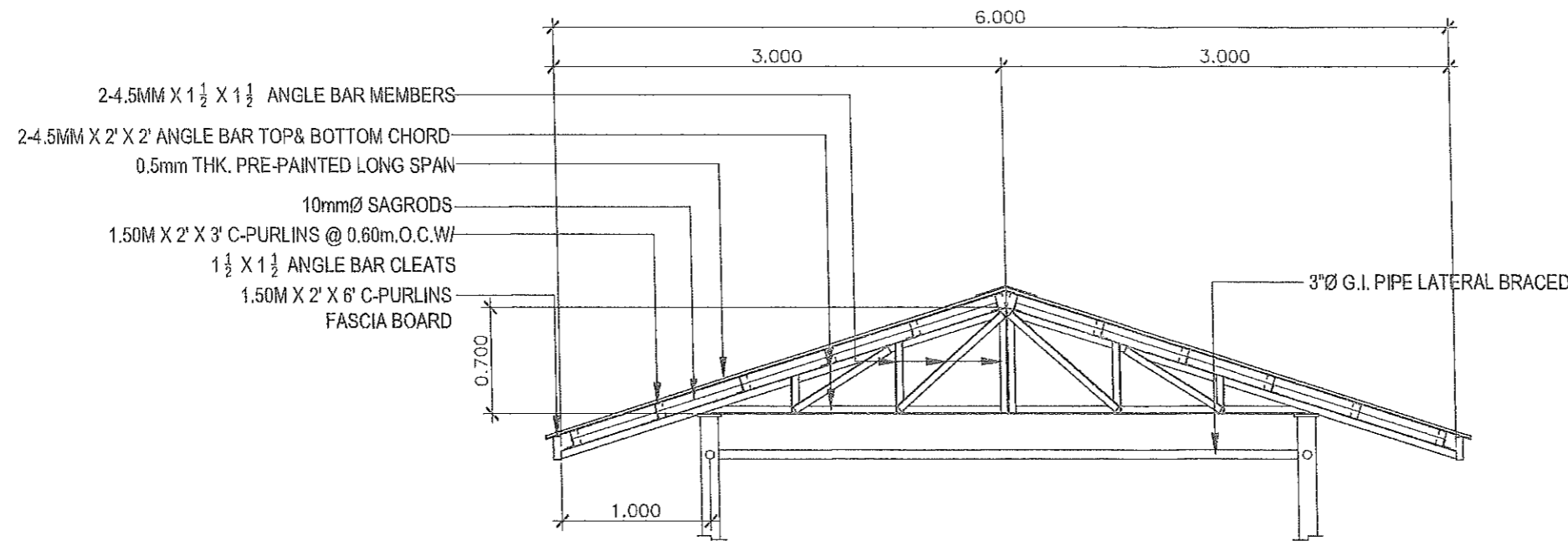
LEFT AND RIGHT SIDE ELEVATION  
SCALE 1:50M

	FROM THE OFFICE OF: REPUBLIC OF THE PHILIPPINES PROVINCE OF PAMPANGA  <b>PROVINCIAL ENGINEER'S OFFICE</b>  CAPITOL COMPOUND, CITY OF SAN FERNANDO, (P)	PROJECT TITLE: <b>CONSTRUCTION OF COVERED PATHWAY          AT PARIAN ELEMENTARY SCHOOL</b>  LOCATION: PARIAN, MEXICO, PAMPANGA	PREPARED BY: <i>Norales</i> CHRISTINE V. MORALES ENGINEER-I  <i>Danan</i> EDRALIN M. DANAN ENGINEER-II	CHECKED BY: <i>Gulapa</i> ESMERALDO T. GULAPA ENGINEER-IV	VERIFIED BY: <i>Manaliti</i> WILFREDO A. MANALITI ASSISTANT PROV'L ENGINEER	RECOMMENDED BY: <i>M. Pansan</i> OLIMPIO M. PANSAN PROVINCIAL ENGINEER	APPROVED BY: HON. DENNIS G. PINEDA GOVERNOR BY THE AUTHORITY OF THE GOVERNOR  <i>Chua</i> AMY CHARLE G. CHUA PROVINCIAL ADMINISTRATOR	SHEET No: <b>3</b>  <b>7</b>
---	--	---	---	--	--	--	--	---------------------------------------

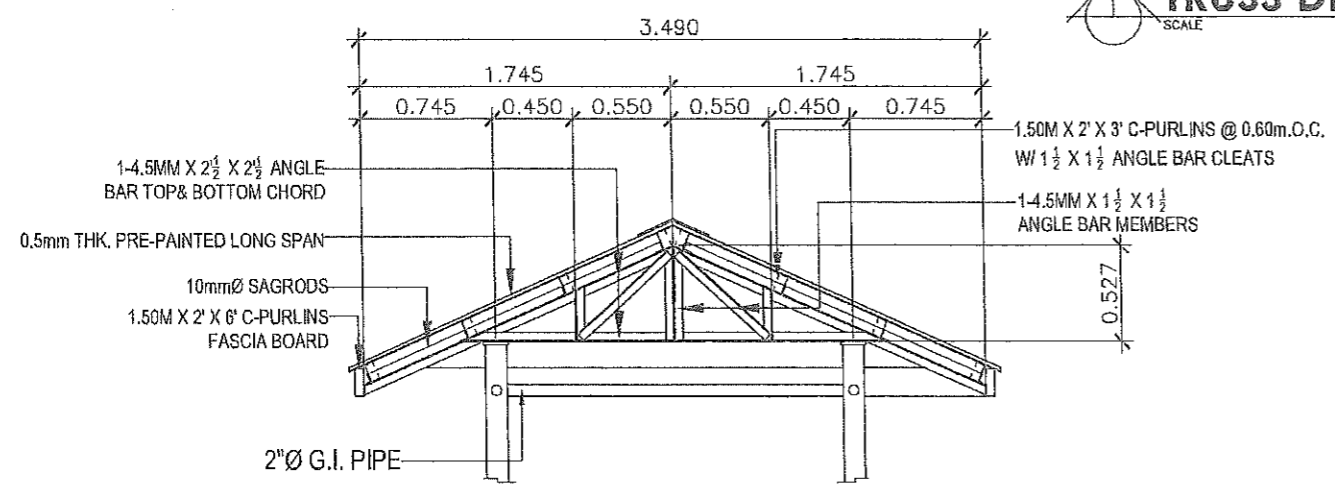


**ROOF FRAMING PLAN**  
SCALE 1:200M

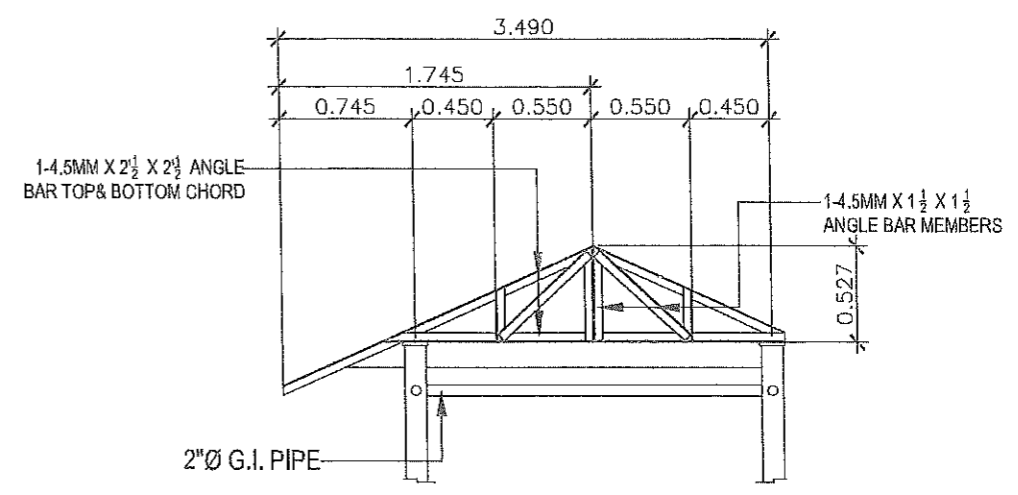
	FROM THE OFFICE OF: REPUBLIC OF THE PHILIPPINES PROVINCE OF PAMPANGA  <b>PROVINCIAL ENGINEER'S OFFICE</b>  CAPITOL COMPOUND, CITY OF SAN FERNANDO, (P)	PROJECT TITLE: <b>CONSTRUCTION OF COVERED PATHWAY          AT PARIAN ELEMENTARY SCHOOL</b>  LOCATION: PARIAN, MEXICO, PAMPANGA	PREPARED BY: <i>Norales</i> CHRISTINE V. NORALES ENGINEER I  <i>Danan</i> EDRALIN M. DANAN ENGINEER II	CHECKED BY: <i>Gulapa</i> ESMERALDO T. GULAPA ENGINEER IV	VERIFIED BY: <i>Manalili</i> WILFREDO A. MANALILI ASSISTANT PROV'L ENGINEER	RECOMMENDING APPROVAL: <i>Panganiban</i> OLIMPIO M. PANGANIBAN PROVINCIAL ENGINEER	APPROVED BY: HON. DENNIS G. PINEDA GOVERNOR BY THE AUTHORITY OF THE GOVERNOR  <i>Chua</i> ANNY CHARLIE G. CHUA PROVINCIAL ADMINISTRATOR	SHEET No: 4 7
---	--	---	---	--	--	---	--	---------------------



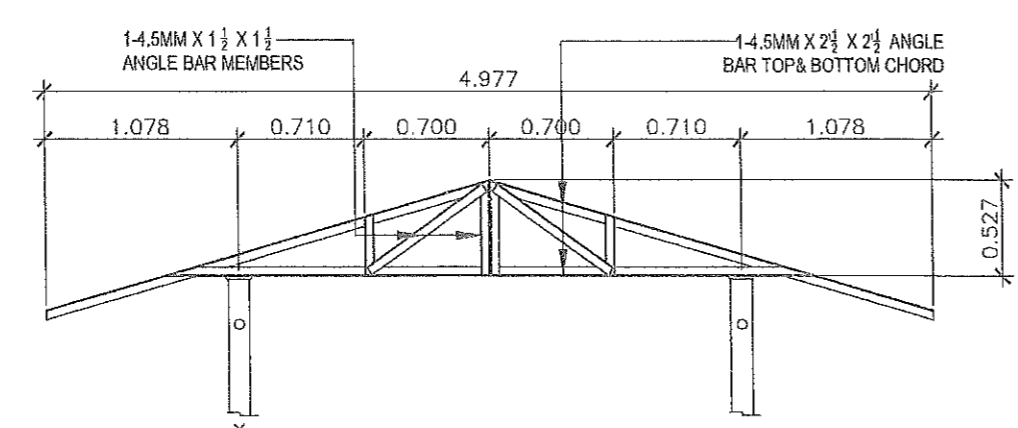
**TRUSS DETAIL 01 5 SETS**  
SCALE 1:40M



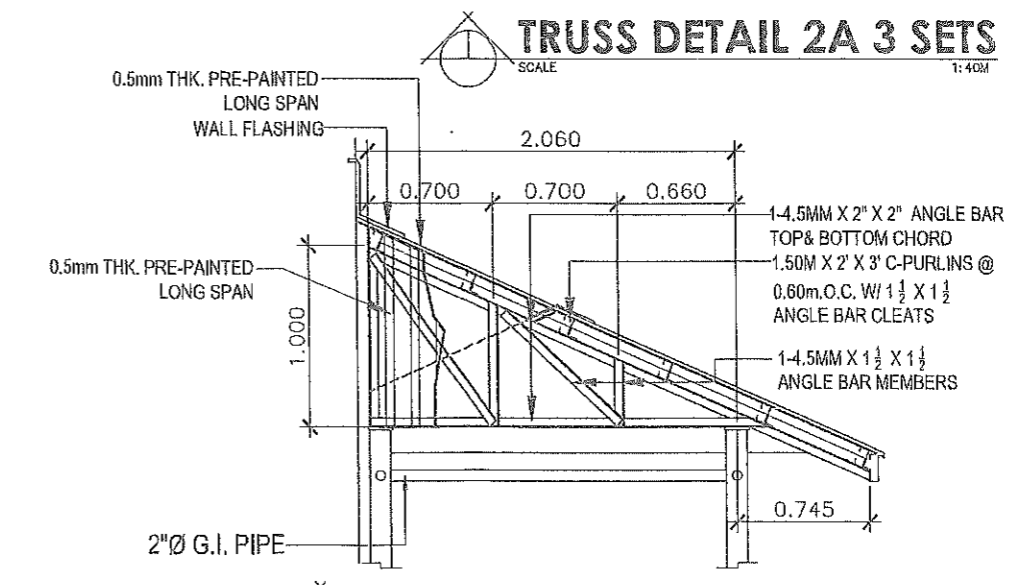
**TRUSS DETAIL 02 9 SETS**  
SCALE 1:40M



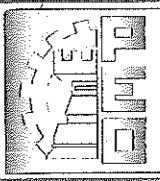
**TRUSS DETAIL 2A 3 SETS**  
SCALE 1:40M

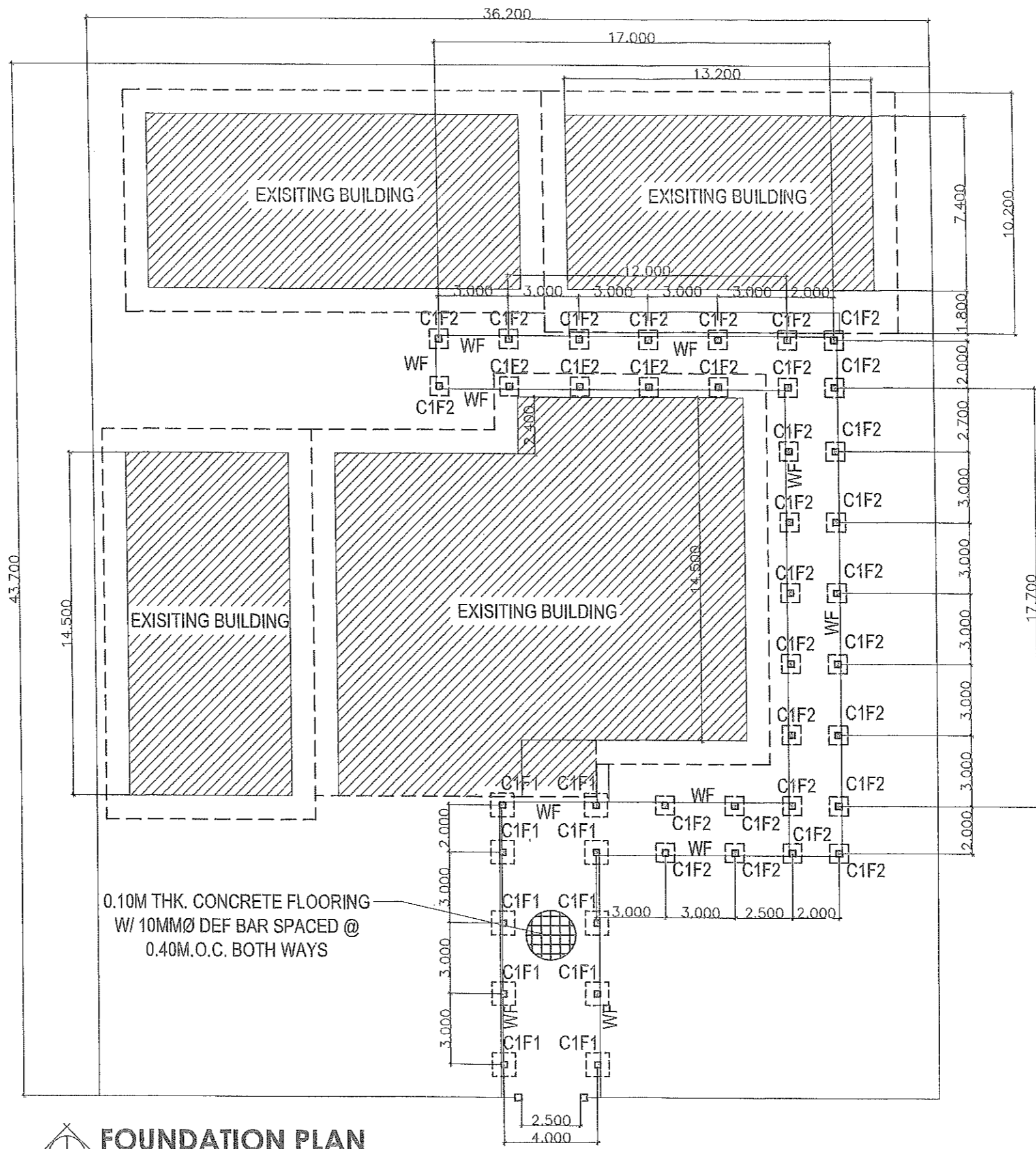


**TRUSS DETAIL 03 2 SETS**  
SCALE 1:40M

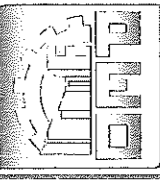


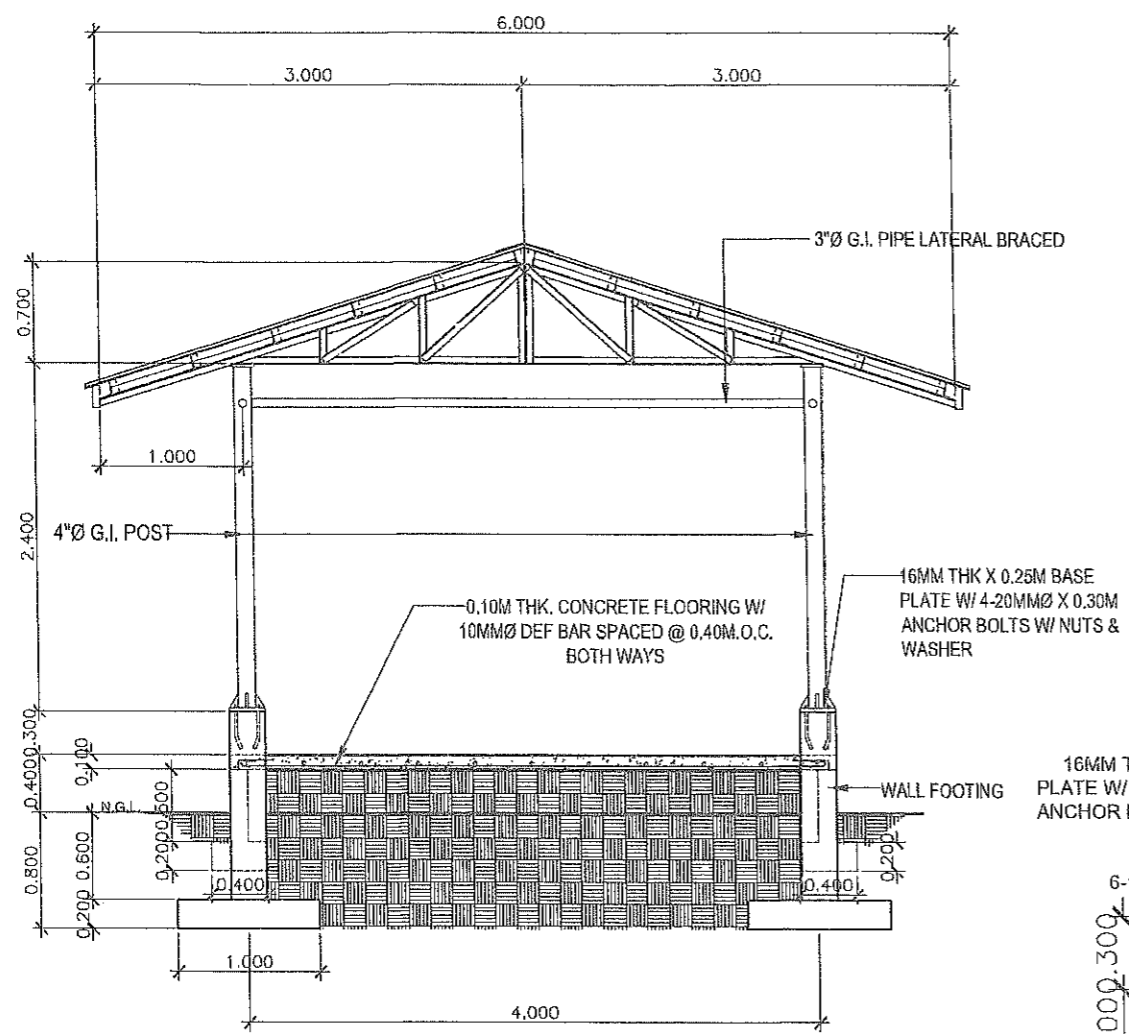
**TRUSS DETAIL 04 4 SETS**  
SCALE 1:40M

	FROM THE OFFICE OF:	PROJECT TITLE:	PREPARED BY:	CHECKED BY:	VERIFIED BY:	RECOMMENDING APPROVAL:	APPROVED BY:	SHEET No:
	REPUBLIC OF THE PHILIPPINES PROVINCE OF PAMPANGA  <b>PROVINCIAL ENGINEER'S OFFICE</b>  CAPITOL COMPOUND, CITY OF SAN FERNANDO, (P)	<b>CONSTRUCTION OF COVERED PATHWAY          AT PARIAN ELEMENTARY SCHOOL</b>  LOCATION: PARIAN, MEXICO, PAMPANGA	CHRISTINE V. MORALES ENGINEER I  EDRALIN M. DANAN ENGINEER II	ESMERALDO T. GULAPA ENGINEER IV	WILFREDO A. MANALILI ASSISTANT PROV'L ENGINEER	OLIMPIO M. PANSAN PROVINCIAL ENGINEER	HON. DENNIS G. PINEDA GOVERNOR BY THE AUTHORITY OF THE GOVERNOR  MILY CHARIZ G. CHUA PROVINCIAL ADMINISTRATOR	5 7

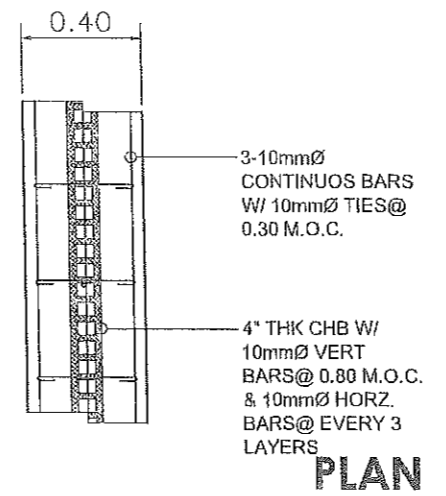


**FOUNDATION PLAN**  
SCALE 1:200

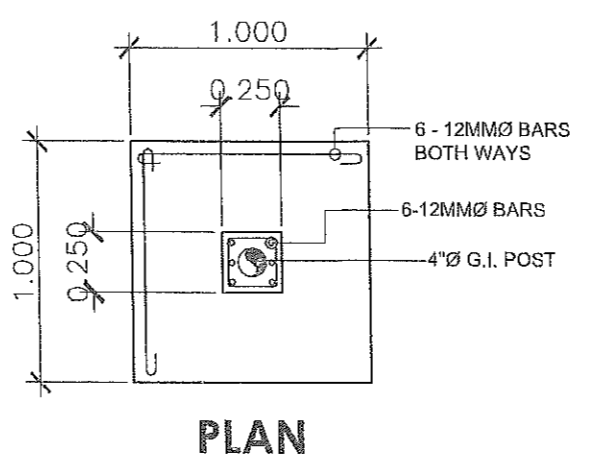
 FROM THE OFFICE OF: REPUBLIC OF THE PHILIPPINES PROVINCE OF PAMPANGA <b>PROVINCIAL ENGINEER'S OFFICE</b> CAPITOL COMPOUND, CITY OF SAN FERNANDO, (P)	PROJECT TITLE: <b>CONSTRUCTION OF COVERED PATHWAY          AT PARIAN ELEMENTARY SCHOOL</b>	PREPARED BY: <i>Morales</i> CHRISTINE V. MORALES ENGINEER-3	CHECKED BY: <i>Dulan</i> ESMERALDO T. GULAPA ENGINEER IV	VERIFIED BY: <i>Manalili</i> WILFRIDO A. MANALILI ASSISTANT PROV'L ENGINEER	RECOMMENDING APPROVAL: <i>Panayan</i> OLIMPIO M. PANAYAN PROVINCIAL ENGINEER	APPROVED BY: HON. DENNIS G. PINEDA GOVERNOR BY THE AUTHORITY OF THE GOVERNOR <i>Chua</i> ALLY CHARLIE G. CHUA PROVINCIAL ADMINISTRATOR	SHEET No: 6 7
	LOCATION: PARIAN, MEXICO, PAMPANGA	EDRALIN M. DANAN ENGINEER II	WILFRIDO A. MANALILI ASSISTANT PROV'L ENGINEER	OLIMPIO M. PANAYAN PROVINCIAL ENGINEER	ALLY CHARLIE G. CHUA PROVINCIAL ADMINISTRATOR		



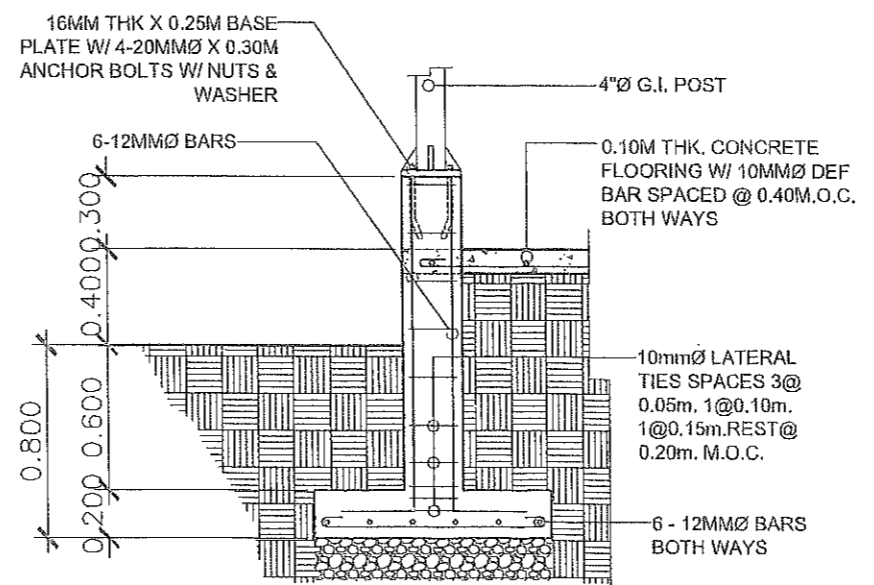
**SECTION DETAIL OF COLUMN FOOTING**  
SCALE 1:50M



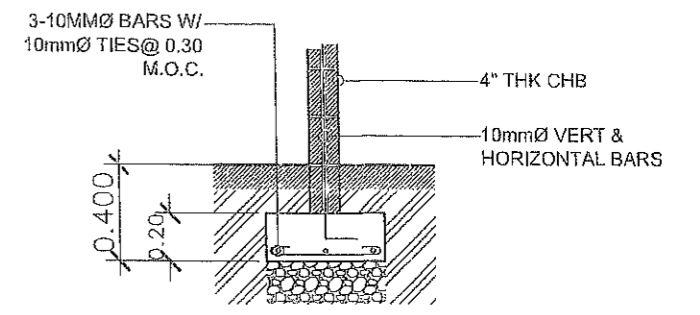
**PLAN**



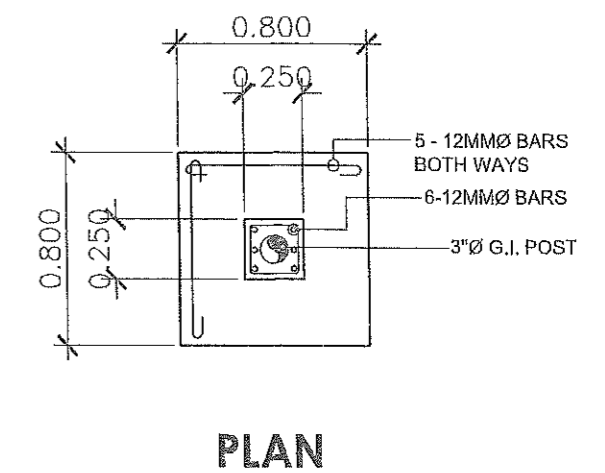
**PLAN**



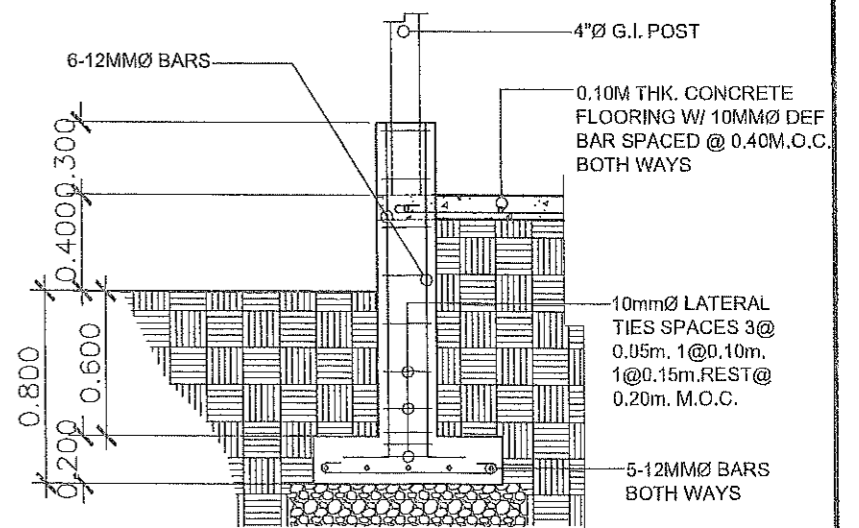
**DETAIL OF C1F1**  
SCALE 1:30M



**DETAIL OF WALL FOOTING**  
SCALE 1:30M



**PLAN**



**DETAIL OF C1F2**  
SCALE 1:30M

	FROM THE OFFICE OF: REPUBLIC OF THE PHILIPPINES PROVINCE OF PAMPANGA  <b>PROVINCIAL ENGINEER'S OFFICE</b>  CAPITOL COMPOUND, CITY OF SAN FERNANDO, (P)	PROJECT TITLE: <b>CONSTRUCTION OF COVERED PATHWAY          AT PARIAN ELEMENTARY SCHOOL</b>  LOCATION: PARIAN, MEXICO, PAMPANGA	PREPARED BY: <i>Morales</i> CHRISTINE V. MORALES ENGINEER I  <i>DANAN</i> EDRALIN M. DANAN ENGINEER II	CHECKED BY: <i>Dulay</i> ESMERALDO T. GULAPA ENGINEER IV	VERIFIED BY: <i>Manalili</i> WILFREDO A. MANALILI CIVIL ENGINEER	RECOMMENDING APPROVAL: <i>Pangan</i> OLIMPJO M. PANGAN PROVINCIAL ENGINEER	APPROVED BY: HON. DENNIS G. PINEDA GOVERNOR BY THE AUTHORITY OF THE GOVERNOR  <i>Chua</i> ALLY CHARLES S. CHUA PROVINCE ADMINISTRATOR	SHEET No: 7  7
--	--	---	---	---	---	---	--	-------------------------