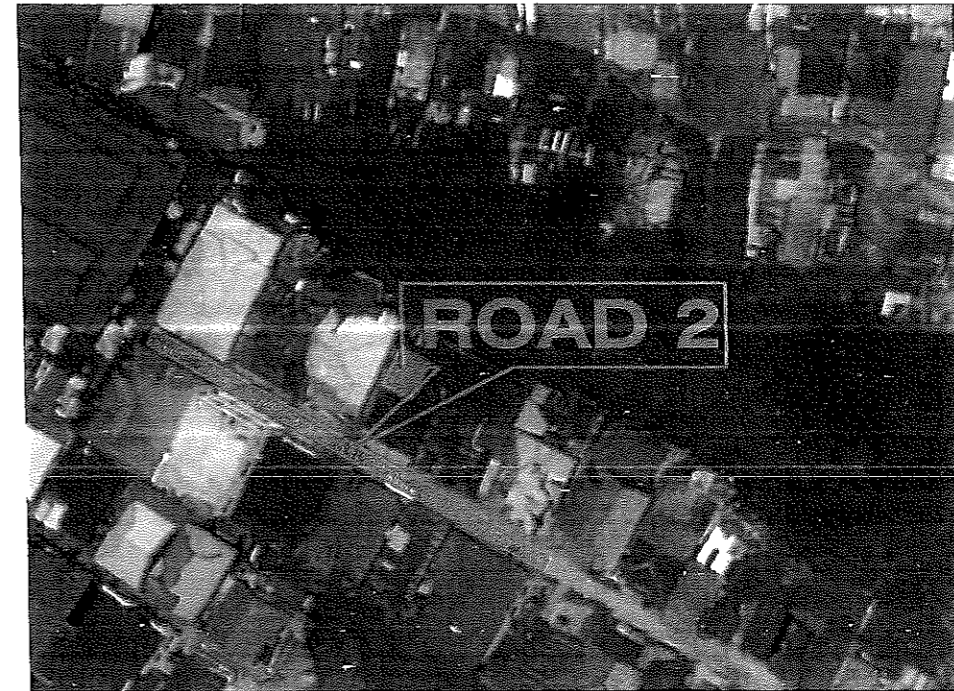
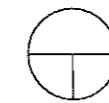
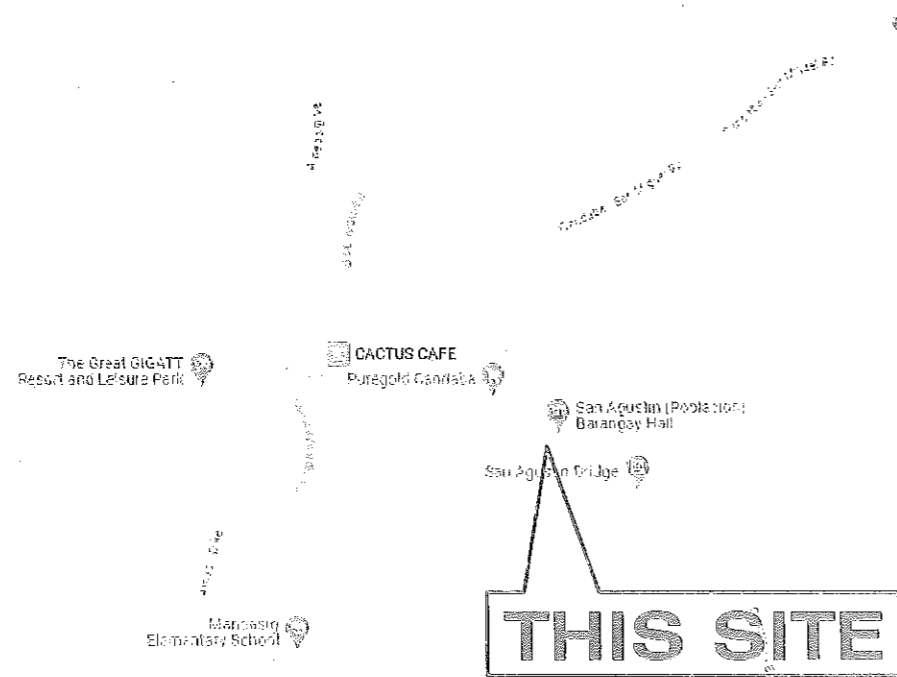




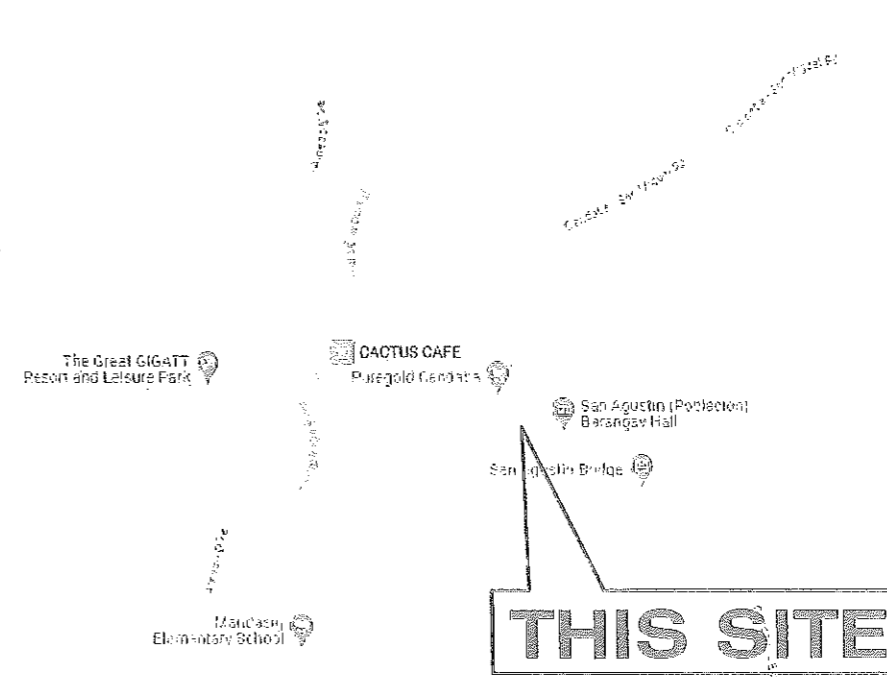
 **ROAD PLAN 1**  
SCALE: \_\_\_\_\_ NTS



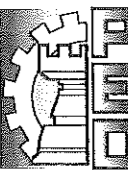
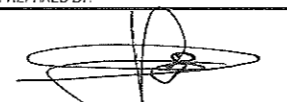

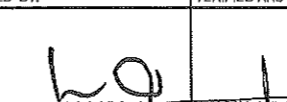
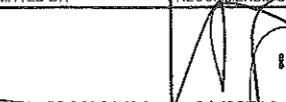
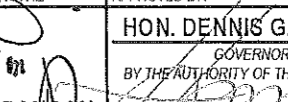
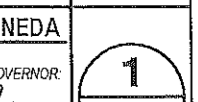

 **ROAD PLAN 2**  
SCALE: \_\_\_\_\_ NTS

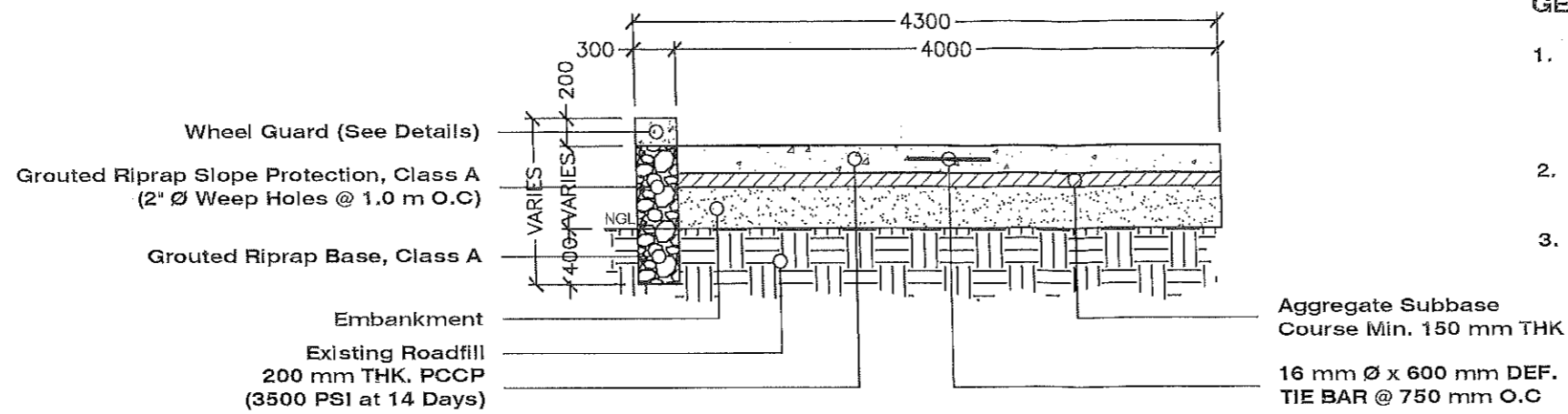


 **LOCATION PLAN 1**  
SCALE: \_\_\_\_\_ NTS



 **LOCATION PLAN 2**  
SCALE: \_\_\_\_\_ NTS

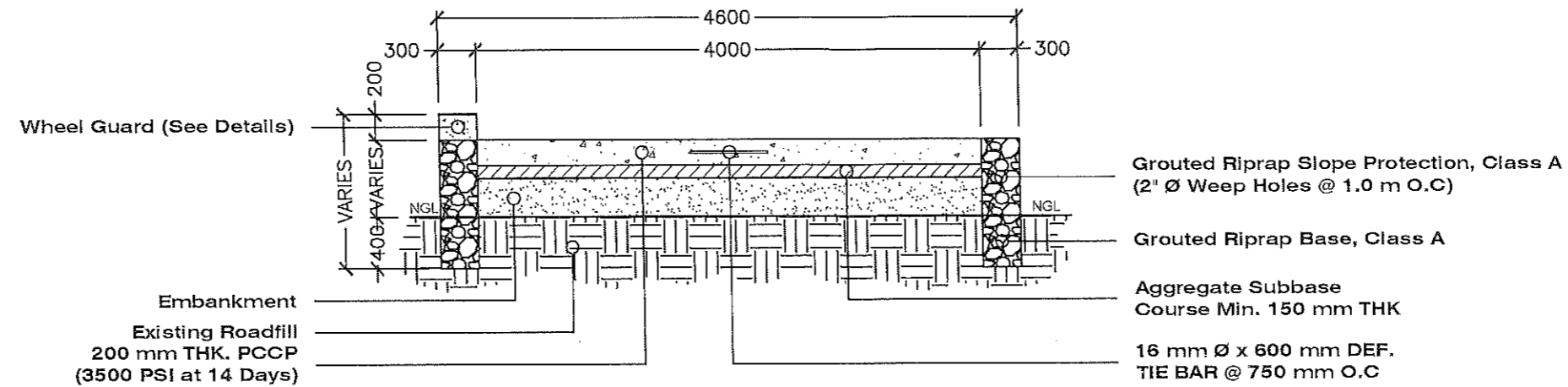
	REPUBLIC OF THE PHILIPPINES PROVINCE OF PAMPANGA <b>PROVINCIAL ENGINEER'S OFFICE</b> CAPITOL COMPOUND, CITY OF SAN FERNANDO, (P)	PROJECT TITLE:	PREPARED BY:	CHECKED BY:	REVIEWED BY:	VERIFIED AND SUBMITTED BY:	RECOMMENDING APPROVAL:	APPROVED BY:	SHEET NO.
		IMPROVEMENT / CONCRETING OF BARANGAY ROAD	 <b>RALPH LOREN A. STA. CRUZ</b> ENGINEER I	 <b>RAY P. MASASPAC</b> ACTING SURVEY AND INVESTIGATION DIVISION HEAD	 <b>BRYAN Q. ALVARADO</b> MAINTENANCE DIVISION HEAD	 <b>WILFREDO A. MANALILI</b> ASSISTANT PROVINCIAL ENGINEER	 <b>OLIMPIO M. PANISAN</b> PROVINCIAL ENGINEER	 <b>HON. DENNIS G. PINEDA</b> GOVERNOR BY THE AUTHORITY OF THE GOVERNOR	
		LOCATION:	<b>ATTY. CHARLIE G. CHUA</b> PROVINCIAL ADMINISTRATOR						
SAN AGUSTIN, CANDABA, PAMPANGA									



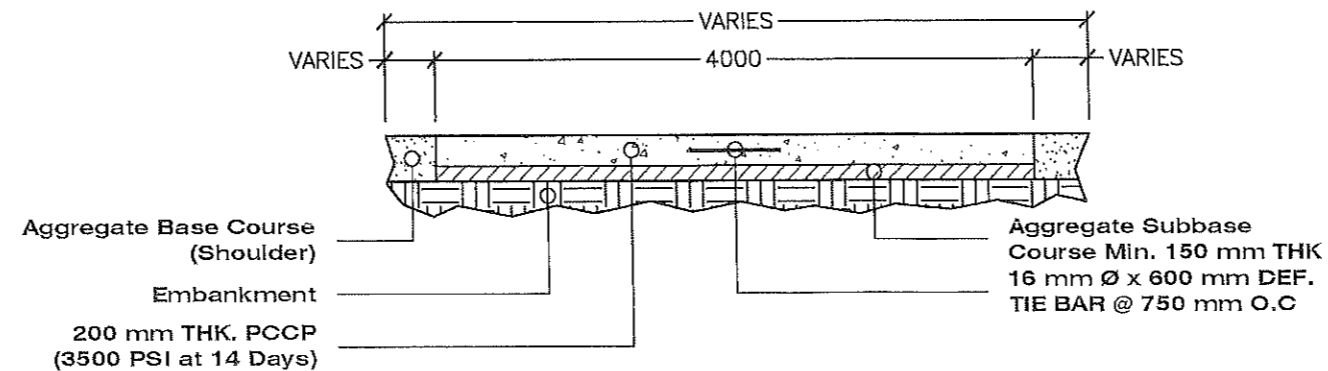
**GENERAL NOTES:**

1. Coordinate the Drawing Plans, Specifications and other related materials to the Supervising Engineer / Architect for any discrepancies found prior to the execution of work.
2. Location of Ramps will be determine during actual execution of work and site condition.
3. All dimensions are in millimeters unless otherwise stated.

**ROAD SECTION - 1A (STA. 0+034 - STA. 0+069)**  
SCALE: 1:50

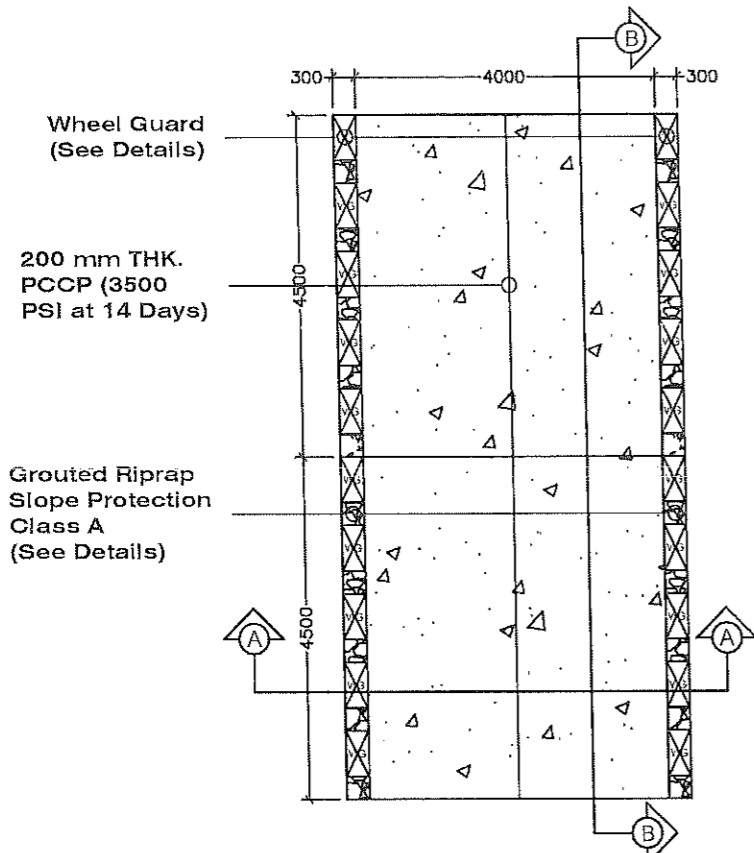


**ROAD SECTION - 1 (STA. 0+053.50 - STA. 0+291)**  
SCALE: 1:50

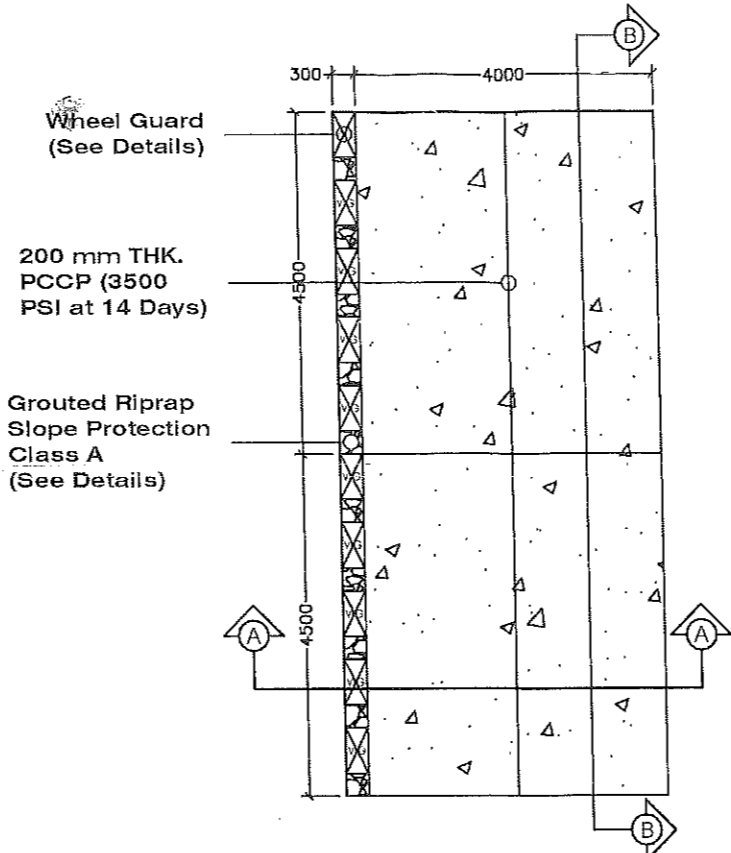


**ROAD SECTION - 1 & 2 (STA. 0+000 - STA. 0+053.50)**  
SCALE: 1:50

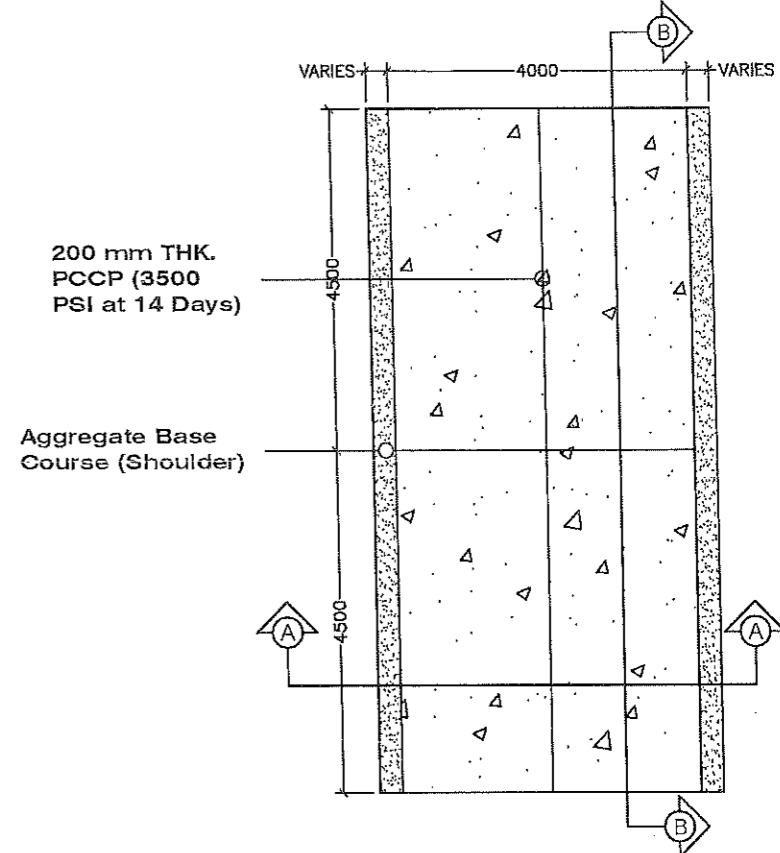
	REPUBLIC OF THE PHILIPPINES PROVINCE OF PAMPANGA <b>PROVINCIAL ENGINEER'S OFFICE</b> CAPITOL COMPOUND, CITY OF SAN FERNANDO, (P)	PROJECT TITLE: IMPROVEMENT / CONCRETING OF BARANGAY ROAD	PREPARED BY:  RALPH LOREN A. STA. CRUZ ENGINEER I	CHECKED BY:  RAY P. MACASPAC ACTING SURVEY AND INVESTIGATION DIVISION HEAD	REVIEWED BY:  BRYAN Q. ALVARADO MAINTENANCE DIVISION HEAD	VERIFIED AND SUBMITTED BY:  WILFREDO A. MANALILI ASSISTANT PROVINCIAL ENGINEER	RECOMMENDING APPROVAL:  OLIMPIO M. PANGAN PROVINCIAL ENGINEER	APPROVED BY: HON. DENNIS G. PINEDA GOVERNOR BY THE AUTHORITY OF THE GOVERNOR:  ATTY. CHARLIE G. CHUA PROVINCIAL ADMINISTRATOR	SHEET NO. 
	LOCATION: SAN AGUSTIN, CANDABA, PAMPANGA								



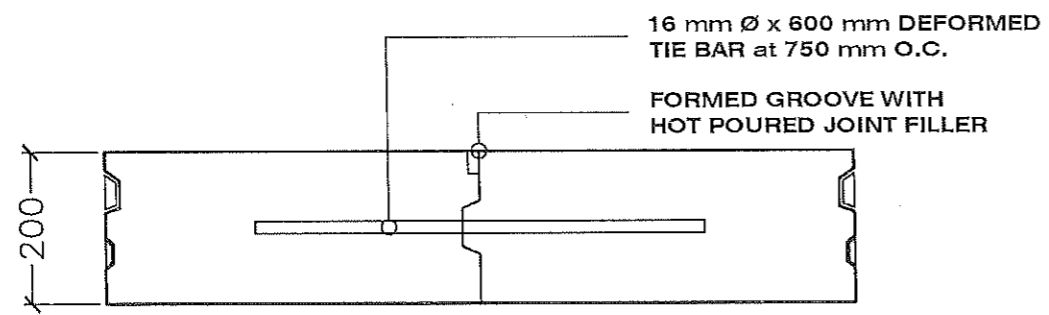
**ROAD PLAN - 1**  
SCALE: 1:100



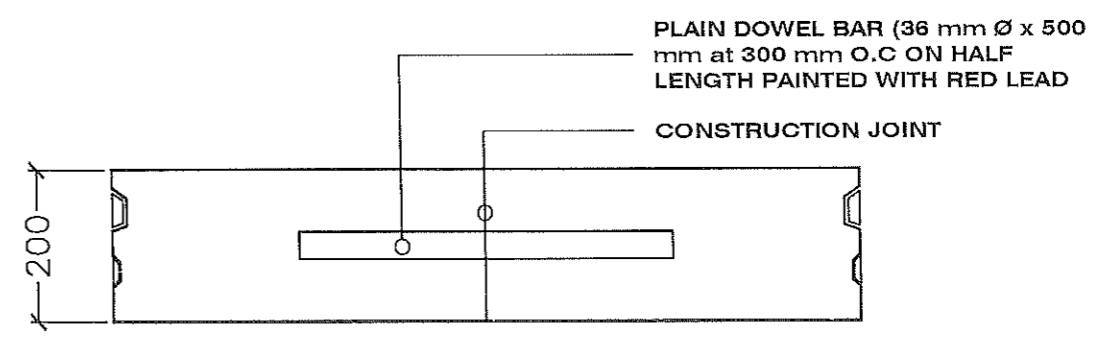
**ROAD PLAN - 1A**  
SCALE: 1:100



**ROAD PLAN - 2**  
SCALE: 1:100

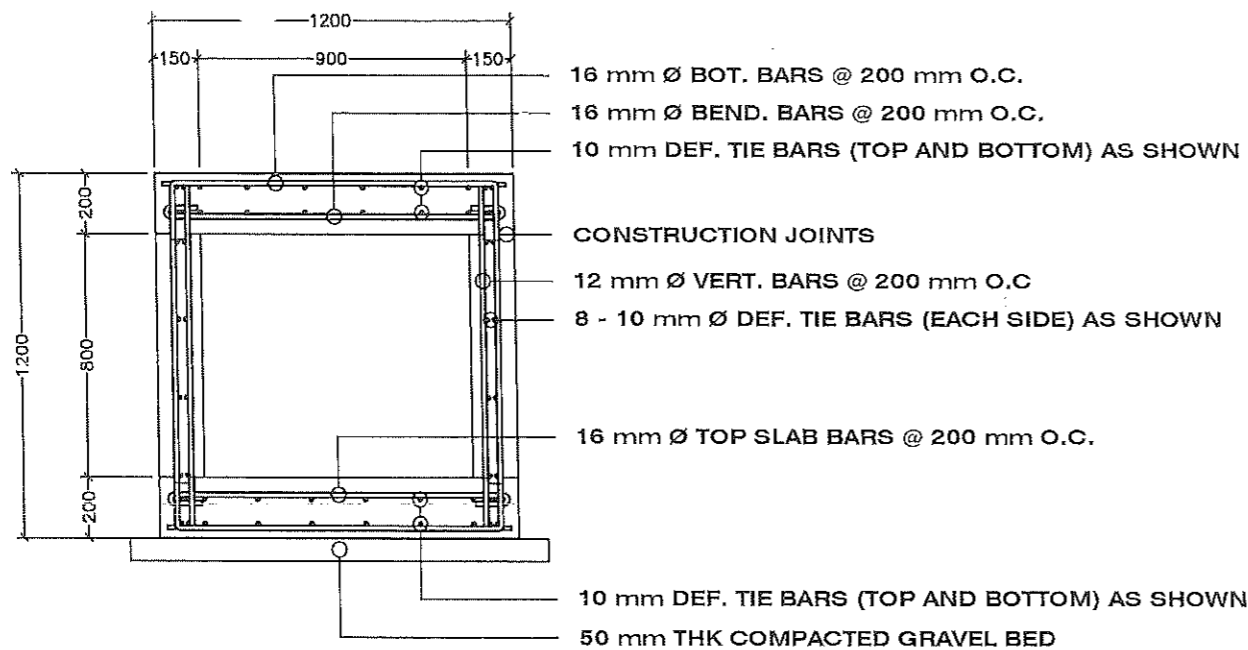


**SECTION AT "A" OF ROAD**  
SCALE: 1:10

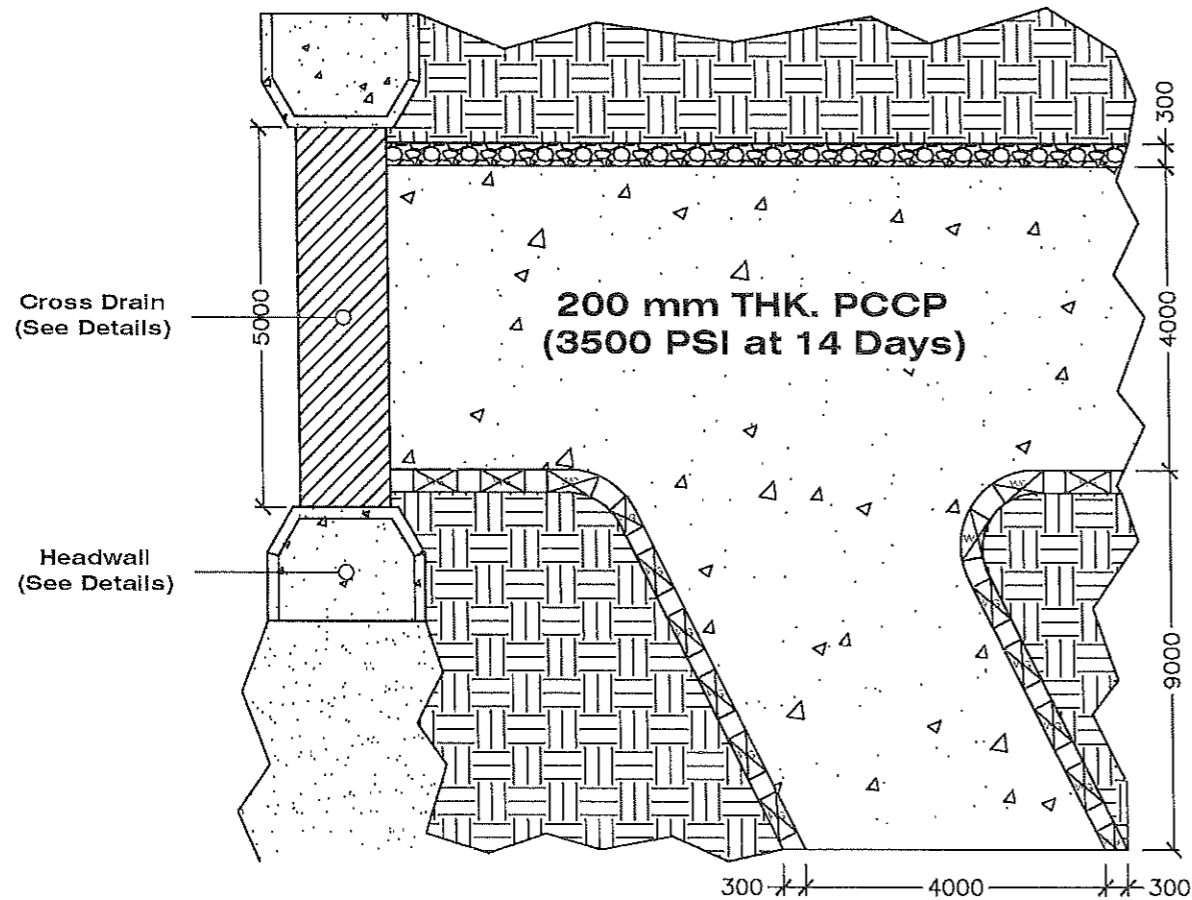


**SECTION AT "B" OF ROAD**  
SCALE: 1:10

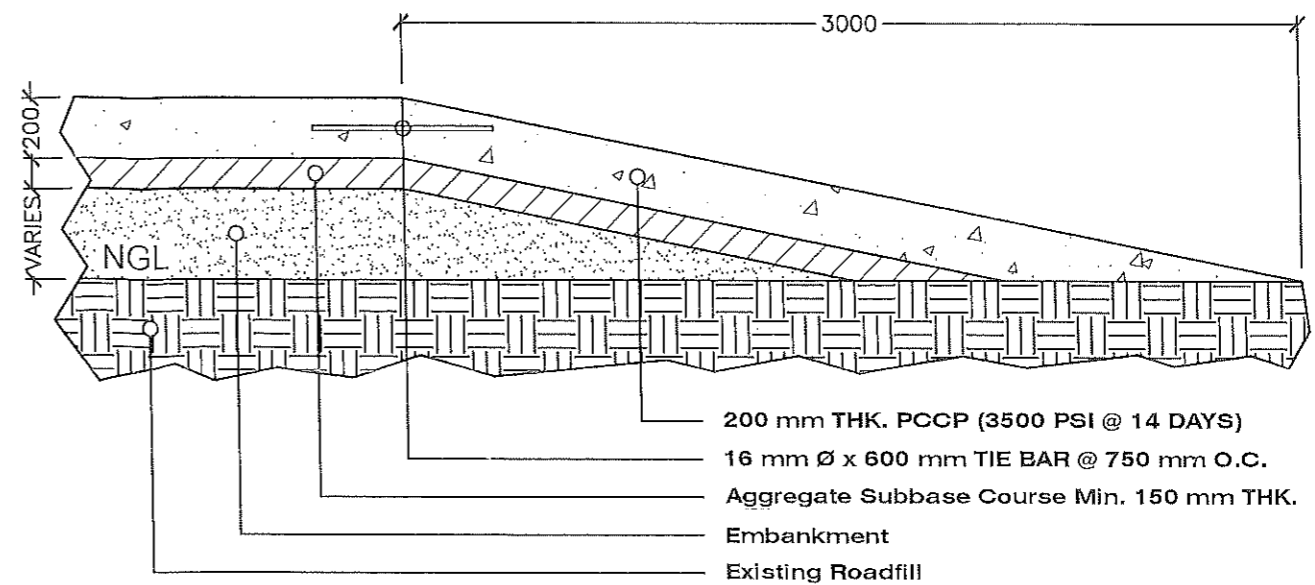
	REPUBLIC OF THE PHILIPPINES PROVINCE OF PAMPANGA <b>PROVINCIAL ENGINEER'S OFFICE</b> CAPITOL COMPOUND, CITY OF SAN FERNANDO, (P)	PROJECT TITLE: <b>IMPROVEMENT / CONCRETING OF BARANGAY ROAD</b>	PREPARED BY:  <b>RALPH LOREN A. STA. CRUZ</b> ENGINEER I	CHECKED BY:  <b>RAY P. MACASPAC</b> ACTING SURVEY AND INVESTIGATION DIVISION HEAD	REVIEWED BY:  <b>BRYAN Q. ALVARADO</b> MAINTENANCE DIVISION HEAD	VERIFIED AND SUBMITTED BY:  <b>WILFREDO A. MANALILI</b> ASSISTANT PROVINCIAL ENGINEER	RECOMMENDING APPROVAL:  <b>OLIMPIO M. PANGAN</b> PROVINCIAL ENGINEER	APPROVED BY: <b>HON. DENNIS G. PINEDA</b> GOVERNOR BY THE AUTHORITY OF THE GOVERNOR:  <b>ATTY. CHARLIE G. CHUA</b> PROVINCIAL ADMINISTRATOR	SHEET NO. <div style="border: 1px solid black; border-radius: 50%; width: 30px; height: 30px; display: flex; align-items: center; justify-content: center; margin: 0 auto;"> <div style="display: flex; flex-direction: column; align-items: center; justify-content: center;"> <span style="font-size: 24px; font-weight: bold;">3</span> <span style="font-size: 24px; font-weight: bold;">7</span> </div> </div>
	LOCATION: SAN AGUSTIN, CANDABA, PAMPANGA								



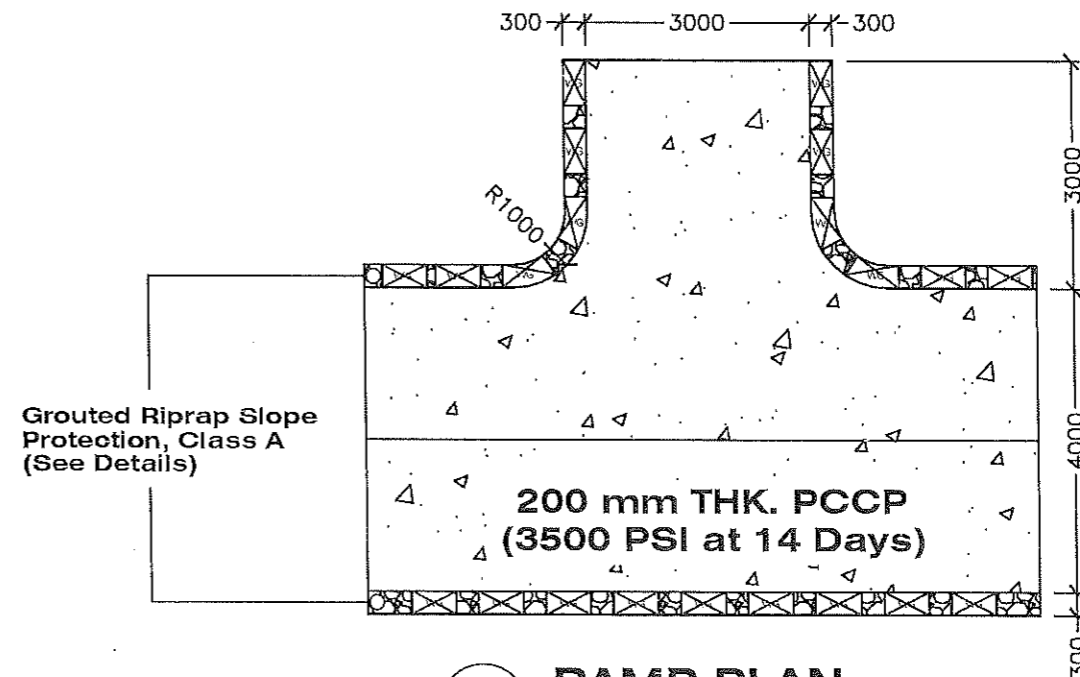
**CROSS - DRAIN DETAILS**  
SCALE: 1:25



**ROAD PLAN AT STA. 0 + 291**  
SCALE: 1:100



**RAMP SECTION**  
SCALE: 1:25

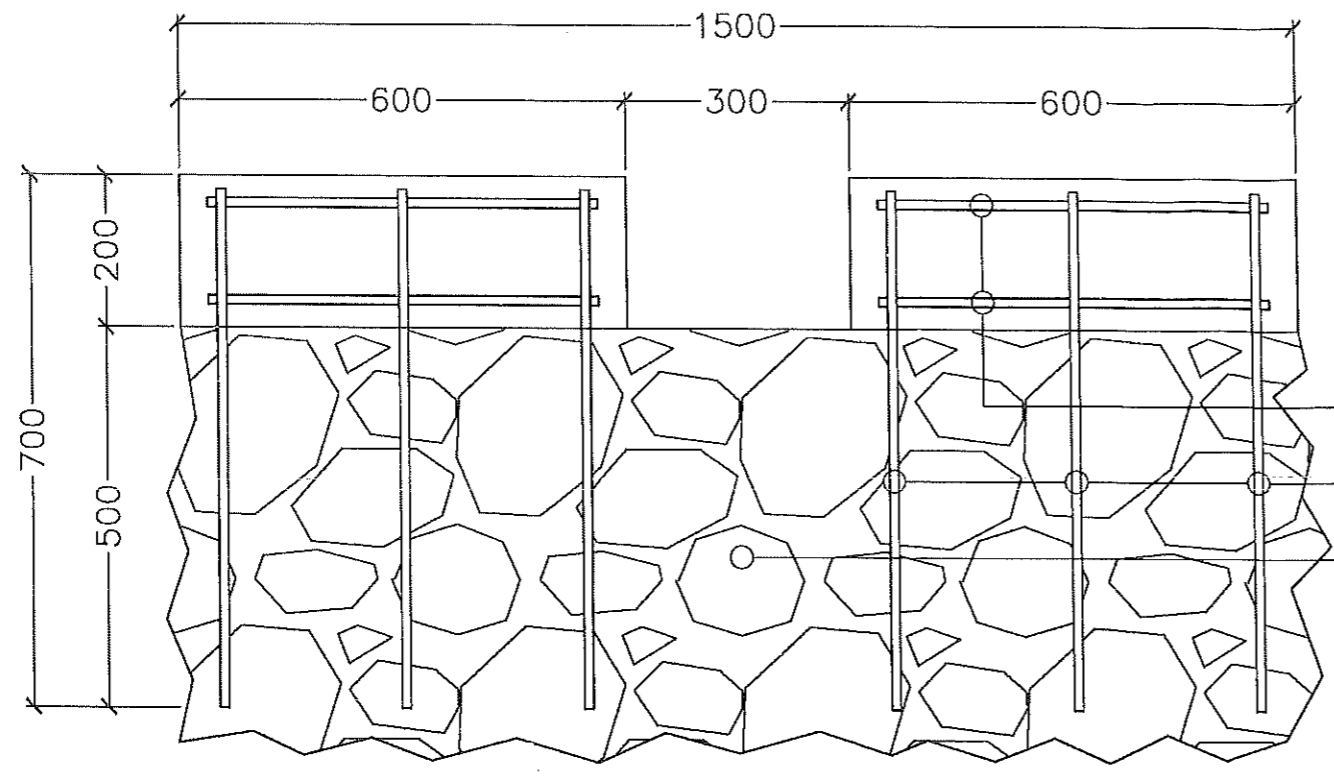


**RAMP PLAN**  
SCALE: 1:100

ROAD	LOCATION	LIMIT	LENGTH
Road 1	Both Side	Sta. 0+053.50 to Sta. 0+291	475.00 m
Road 1A	Left Side	Sta. 0+000 to Sta. 0+053.50	53.50 m

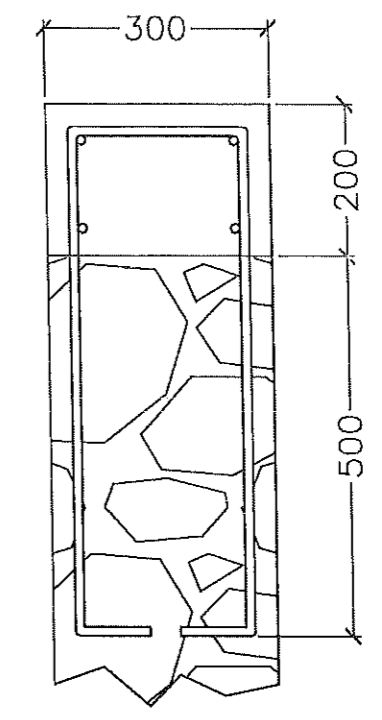
**SLOPE PROTECTION SCHEDULE**  
SCALE: NTS

<p>REPUBLIC OF THE PHILIPPINES PROVINCE OF PAMPANGA <b>PROVINCIAL ENGINEER'S OFFICE</b> CAPITOL COMPOUND, CITY OF SAN FERNANDO, (P)</p>	PROJECT TITLE:	PREPARED BY:	CHECKED BY:	REVIEWED BY:	VERIFIED AND SUBMITTED BY:	RECOMMENDING APPROVAL:	APPROVED BY:	SHEET NO.
	IMPROVEMENT / CONCRETING OF BARANGAY ROAD	RALPH LOREN A. STA. CRUZ ENGINEER I	RAY P. MACASPAC FACTING SURVEY AND INVESTIGATION DIVISION HEAD	BRYAN Q. ALVARADC MAINTENANCE DIVISION HEAD	WILFREDO A. MANALILI ASSISTANT PROVINCIAL ENGINEER	OLIMPIO M. PANGAN PROVINCIAL ENGINEER	HON. DENNIS G. PINEDA GOVERNOR BY THE AUTHORITY OF THE GOVERNOR: ATTY. CHARLIE G. CHUA PROVINCIAL ADMINISTRATOR	4 7
	LOCATION: SAN AGUSTIN, CANDABA, PAMPANGA							



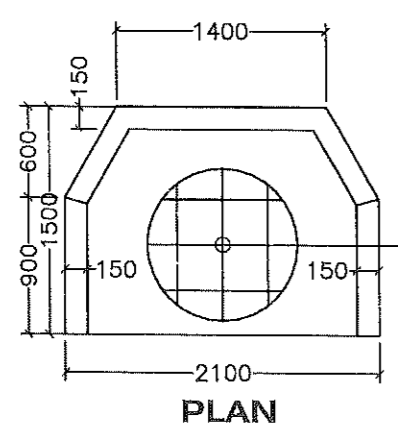
4 - 10 mm Ø HOR. BARS  
 12 mm Ø BENDED ANCHOR BARS  
 GROUTED RIPRAP SLOPE PROTECTION, CLASS A

**ELEVATION**



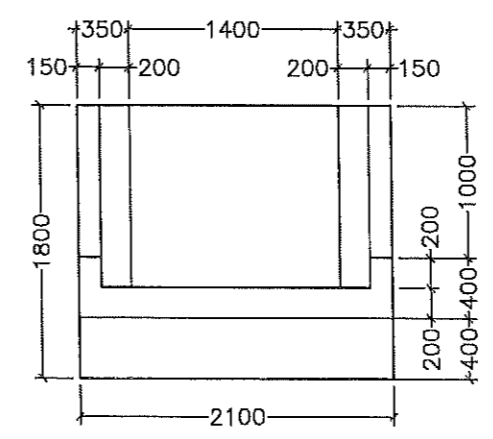
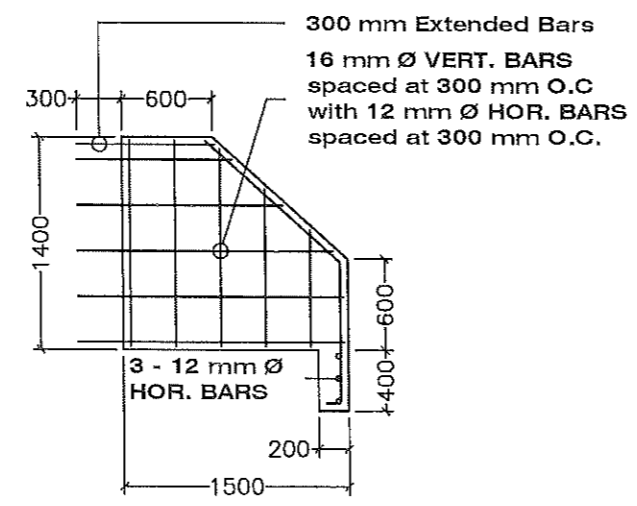
**SECTION**

**WHEEL GUARD DETAIL**  
 SCALE: 1:10

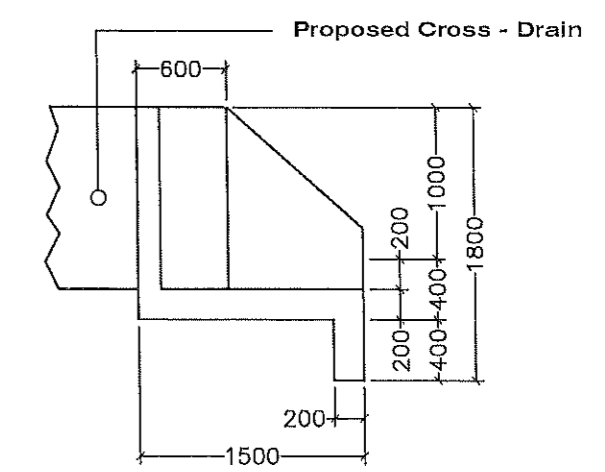


**PLAN**

200 mm FLOOR SLAB w/ 12 mm Ø HOR. BARS spaced at 300 mm O.C.

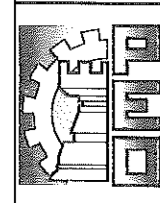


**FRONT ELEVATION**



**SIDE ELEVATION**

**HEAD WALL DETAILS**  
 SCALE: 1:50



REPUBLIC OF THE PHILIPPINES  
 PROVINCE OF PAMPANGA  
**PROVINCIAL ENGINEER'S OFFICE**  
 CAPITOL COMPOUND, CITY OF SAN FERNANDO, (P)

PROJECT TITLE:  
 IMPROVEMENT / CONCRETING OF BARANGAY ROAD  
 LOCATION:  
 SAN AGUSTIN, CANDABA, PAMPANGA

PREPARED BY:  
 RALPH LOREN A. STA. CRUZ  
 ENGINEER I

CHECKED BY:  
 RAY P. MAGASPAC  
 ACTING SURVEY AND INVESTIGATION DIVISION HEAD

REVIEWED BY:  
 BRYAN Q. ALVARADO  
 MAINTENANCE DIVISION HEAD

VERIFIED AND SUBMITTED BY:  
 WILFREDO A. MANALILI  
 ASSISTANT PROVINCIAL ENGINEER

RECOMMENDING APPROVAL:  
 OLIMPIO M. PANGAN  
 PROVINCIAL ENGINEER

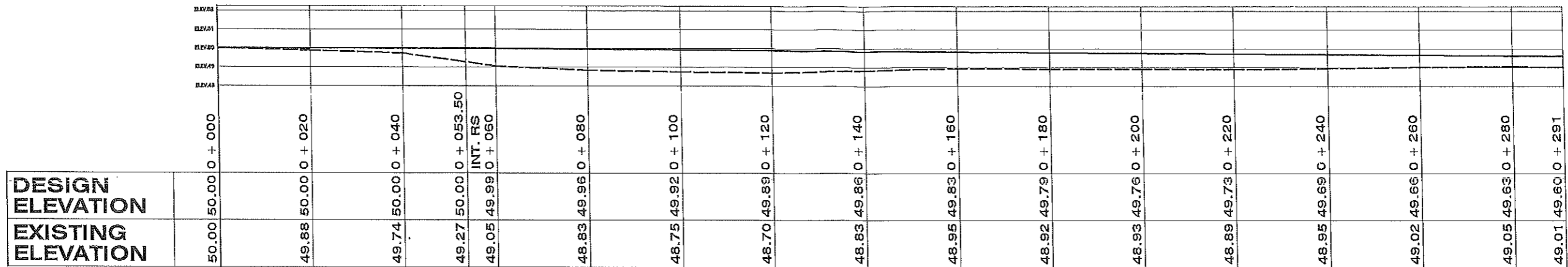
APPROVED BY:  
 HON. DENNIS G. PINEDA  
 GOVERNOR  
 BY THE AUTHORITY OF THE GOVERNOR:  
 ATTY. CHARLIE G. CHUA  
 PROVINCIAL ADMINISTRATOR

SHEET NO.  
 5  
 7

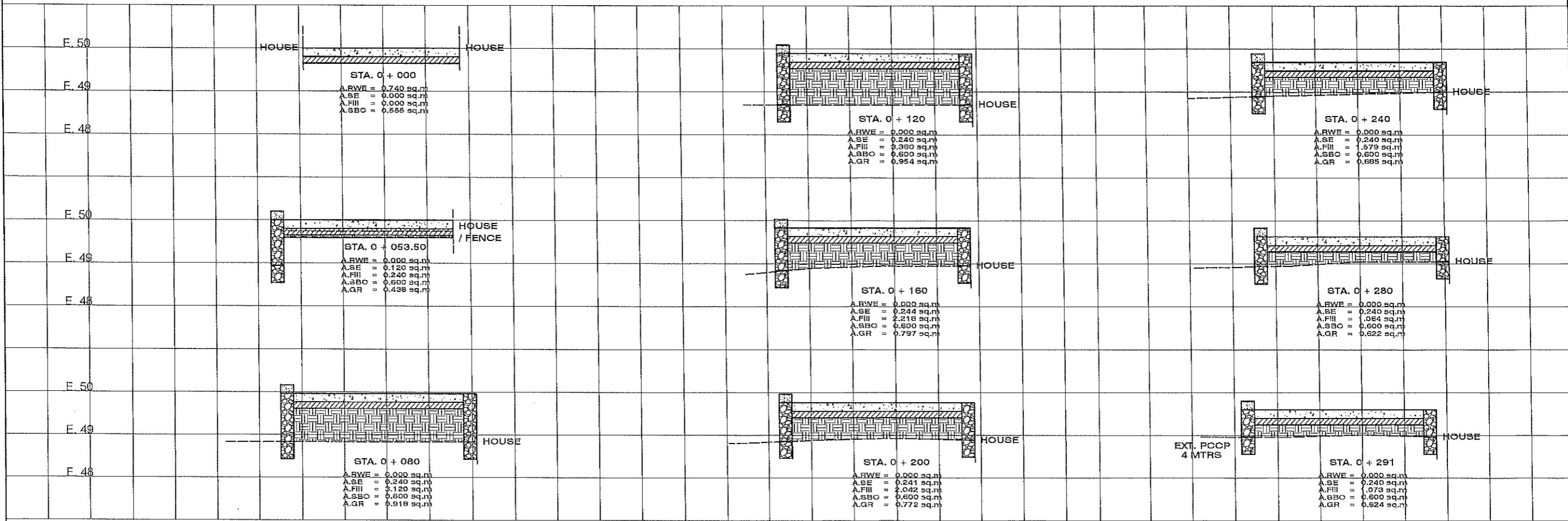
LEGEND :

- PROPOSED GRADE     EXEMPTION
- - - - - EXISTING GRADE     GROUTED RIPRAP
- ROAD CENTERLINE     SHOULDER

ROAD - 1 PROFILE  
SCALE 1:100



STRAIGHT LINE DIAGRAM  
SCALE 1:1000

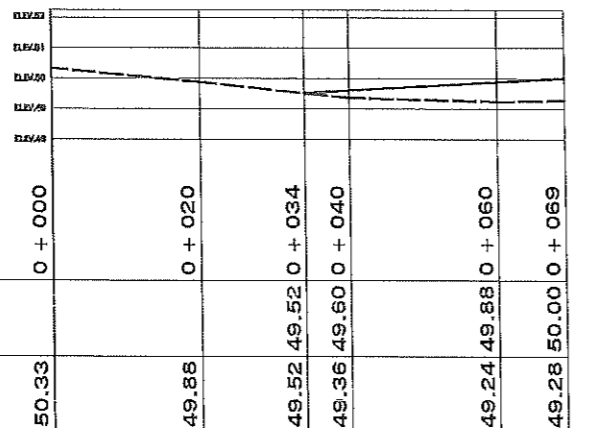


 REPUBLIC OF THE PHILIPPINES PROVINCE OF PAMPANGA <b>PROVINCIAL ENGINEER'S OFFICE</b> CAPITOL COMPOUND, CITY OF SAN FERNANDO, (P)	PROJECT TITLE:	PREPARED BY:	CHECKED BY:	REVIEWED BY:	VERIFIED AND SUBMITTED BY:	RECOMMENDING APPROVAL:	APPROVED BY:	SHEET NO.
	IMPROVEMENT / CONCRETING OF BARANGAY ROAD	RALPH LOREN A. STA. CRUZ ENGINEER I	RAY P. MACASPAC ACTING SURVEY AND INVESTIGATION DIVISION HEAD	BRYAN Q. ALVARADO MAINTENANCE DIVISION HEAD	WILFREDO A. MANALILI ASSISTANT PROVINCIAL ENGINEER	OLIMPIO M. PANGAN PROVINCIAL ENGINEER	HON. DENNIS G. PINEDA GOVERNOR BY THE AUTHORITY OF THE GOVERNOR: ATTY. CHARLIE G. CHUA PROVINCIAL ADMINISTRATOR	6 7
	LOCATION:	SAN AGUSTIN, CANDABA, PAMPANGA						

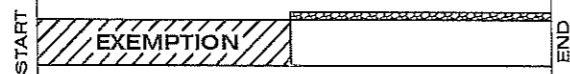
LEGEND :

- PROPOSED GRADE     EXEMPTION
- - - - EXISTING GRADE     GROUTED RIPRAP
- ROAD CENTERLINE     SHOULDER

**ROAD - 1A PROFILE**  
SCALE: 1:1000

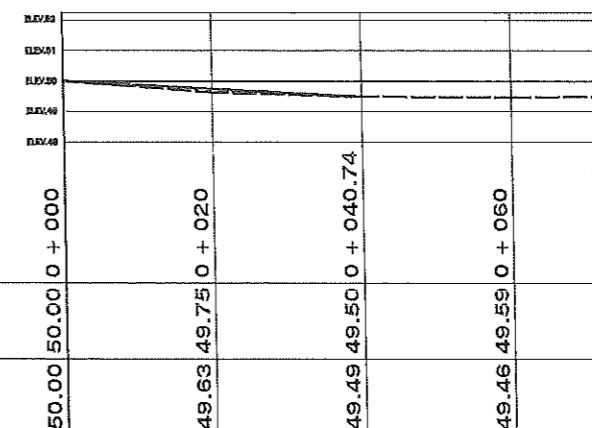


DESIGN ELEVATION					
EXISTING ELEVATION	50.33	49.88	49.52	49.36	49.24
	0 + 000	0 + 020	0 + 034	0 + 040	0 + 060
					0 + 069

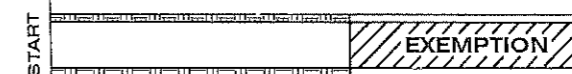


**STRAIGHT LINE DIAGRAM**  
SCALE: 1:1000

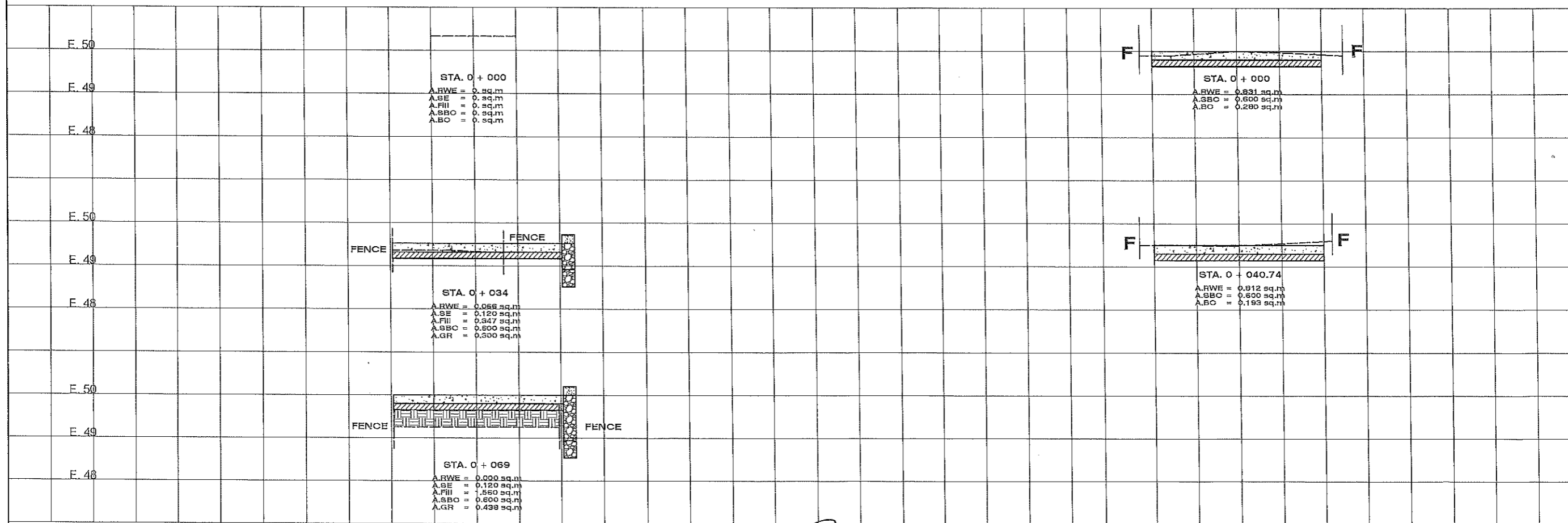
**ROAD - 2 PROFILE**  
SCALE: 1:1000



DESIGN ELEVATION					
EXISTING ELEVATION	50.00	49.63	49.50	49.49	49.50
	0 + 000	0 + 020	0 + 040.74	0 + 060	0 + 073.5



**STRAIGHT LINE DIAGRAM**  
SCALE: 1:1000



 REPUBLIC OF THE PHILIPPINES PROVINCE OF PAMPANGA <b>PROVINCIAL ENGINEER'S OFFICE</b> CAPITOL COMPOUND, CITY OF SAN FERNANDO, (P)	PROJECT TITLE:	PREPARED BY:	CHECKED BY:	REVIEWED BY:	VERIFIED AND SUBMITTED BY:	RECOMMENDING APPROVAL:	APPROVED BY:	SHEET NO.
	IMPROVEMENT / CONCRETING OF BARANGAY ROAD	 RALPH LOREN A. STA. CRUZ ENGINEER I	 RAY P. MACASPAC ACTING SURVEY AND INVESTIGATION DIVISION HEAD	 BRYAN Q. ALVARADO MAINTENANCE DIVISION HEAD	 WILFREDO A. MANALILI ASSISTANT PROVINCIAL ENGINEER	 OLIMPIO M. PANGAN PROVINCIAL ENGINEER	HON. DENNIS G. PINEDA GOVERNOR BY THE AUTHORITY OF THE GOVERNOR:  ATTY. CHARLIE G. CHUA PROVINCIAL ADMINISTRATOR	
	LOCATION:	SAN AGUSTIN, CANDABA, PAMPANGA						